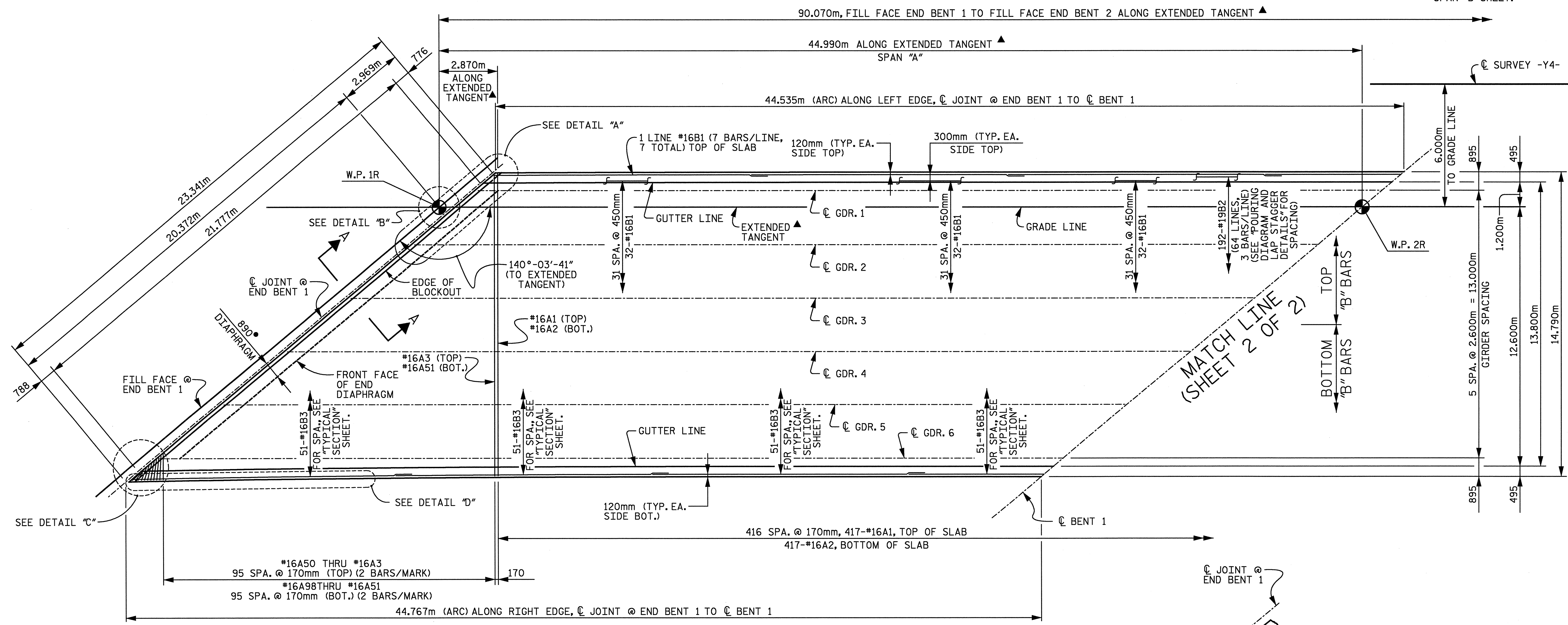


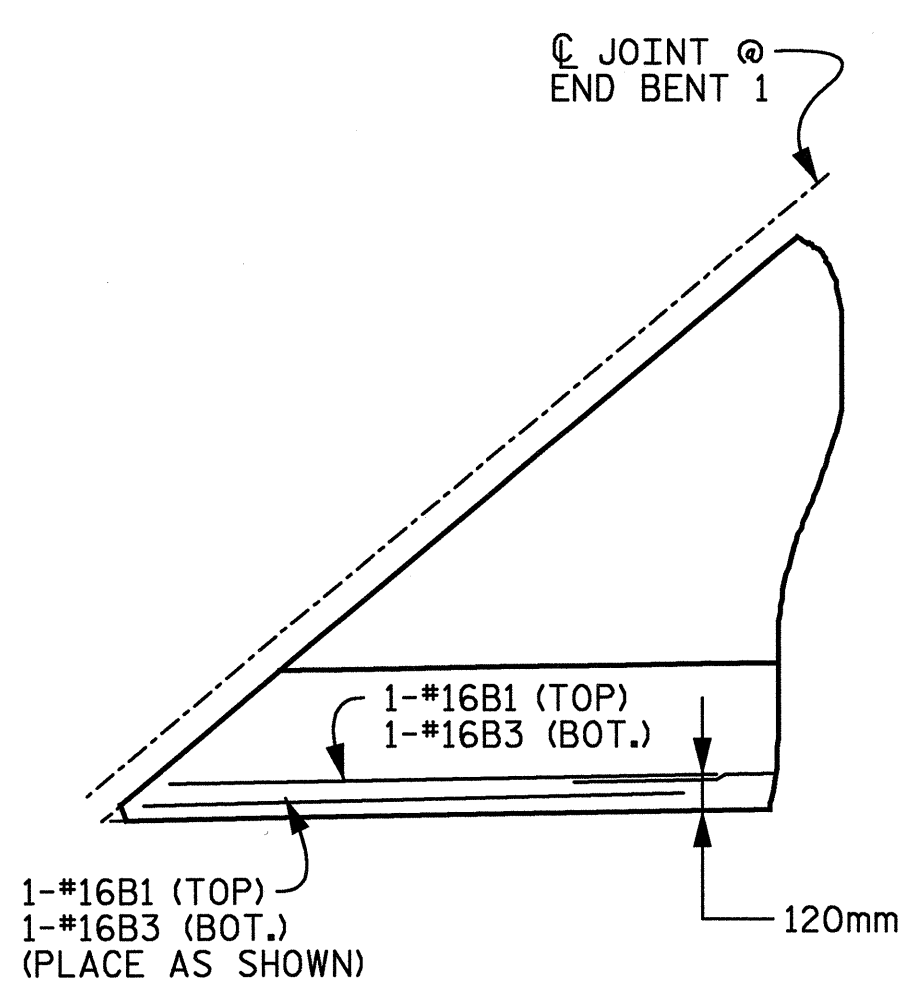
NOTES : FOR NOTES, SEE "PLAN OF SPANS SPAN "B" SHEET.



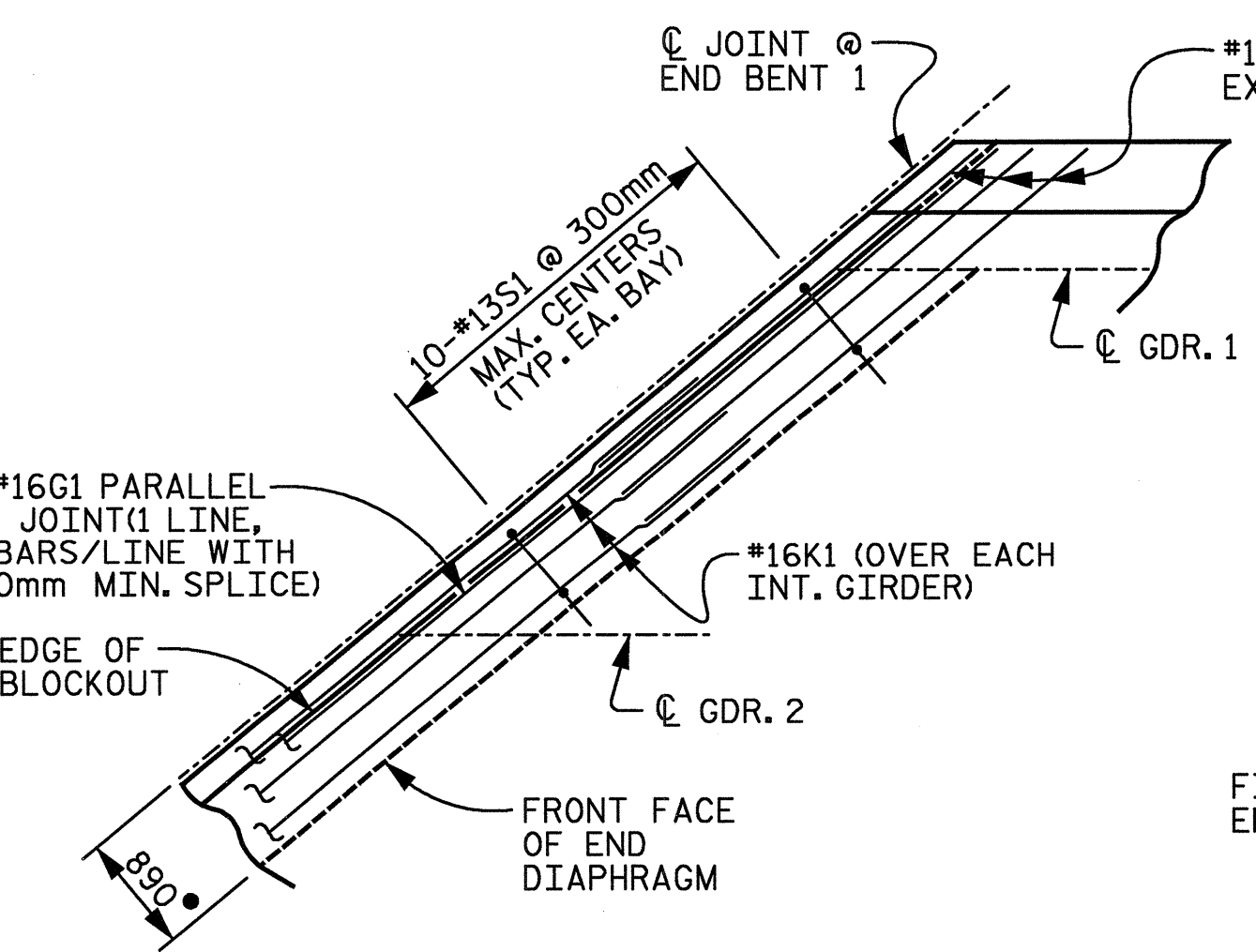
FOR ARC OFFSETS, SEE SHEET TITLED "ARC OFFSETS SPAN "A"."

**SPAN "A"**

- AT 16° C.
- ▲ FOR EXTENDED TANGENT, SEE "GENERAL DRAWING EXTENDED TANGENT LAYOUT" SHEET.

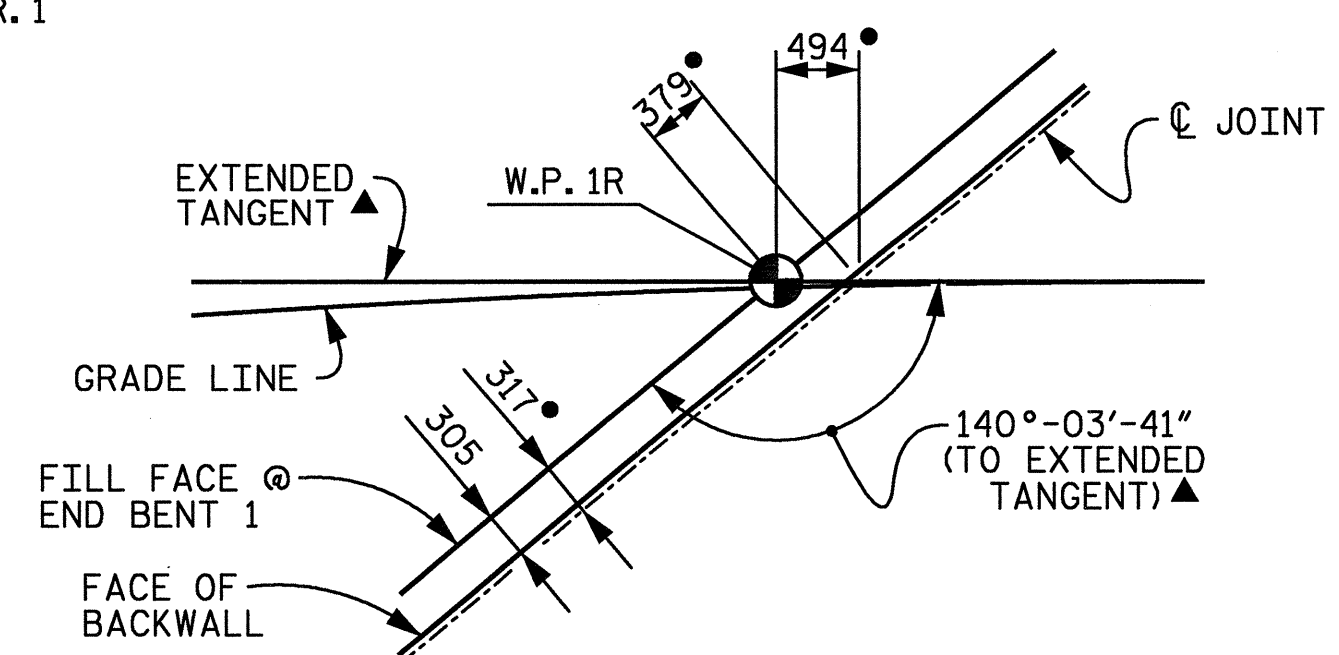


**DETAIL "D"**

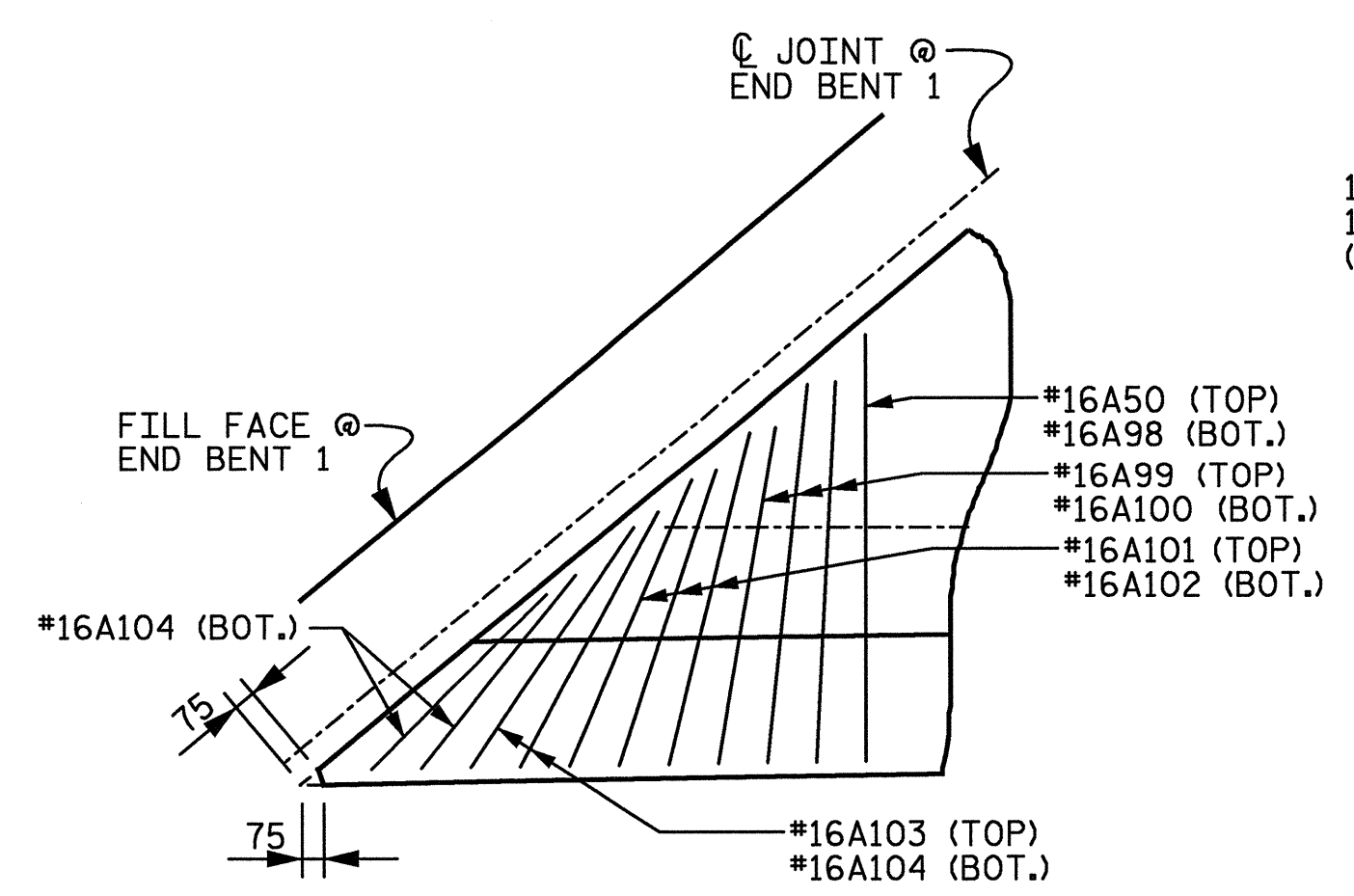


**DETAIL "A"**

"A" AND "B" BARS NOT SHOWN



**DETAIL "B"**



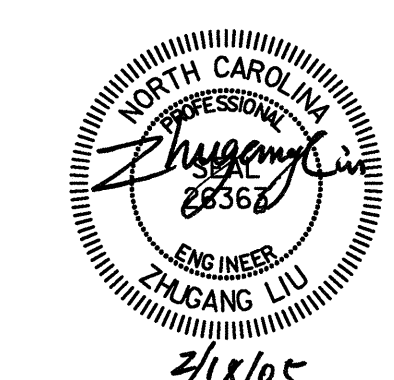
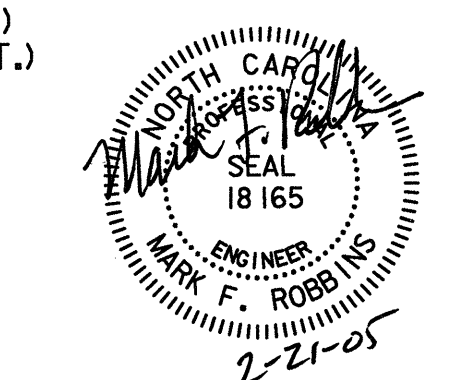
**DETAIL "C"**

PROJECT No. R-2552C  
 JOHNSTON COUNTY  
 STATION: POT 148+08.446 -L2-  
 POT 23+96.446 -Y4-

SHEET 1 OF 2

REVISIONS	
NO.	DATE
1	3/1
2	3/1

STATE OF NORTH CAROLINA  
 DEPARTMENT OF TRANSPORTATION  
 RALEIGH  
**PLAN OF SPANS  
 SPAN "A"**  
 -RIGHT LANE-



**RALPH WHITEHEAD ASSOCIATES, INC.**  
 CONSULTING ENGINEERS  
 P.O. BOX 35624 CHARLOTTE, N.C. 28235  
 DRAWN BY: WBS, LGH DATE: 11-04 DWG. NO.:  
 CHECKED BY: TVR DATE: 12-04 D-1750.06

SHEET NO. 5-363  
 TOTAL SHEETS 43

02/17/2005 04:55:56 PM n:\proj\3109-200\ustation\str\uct\Final\3109-200\_span\_a.dgn