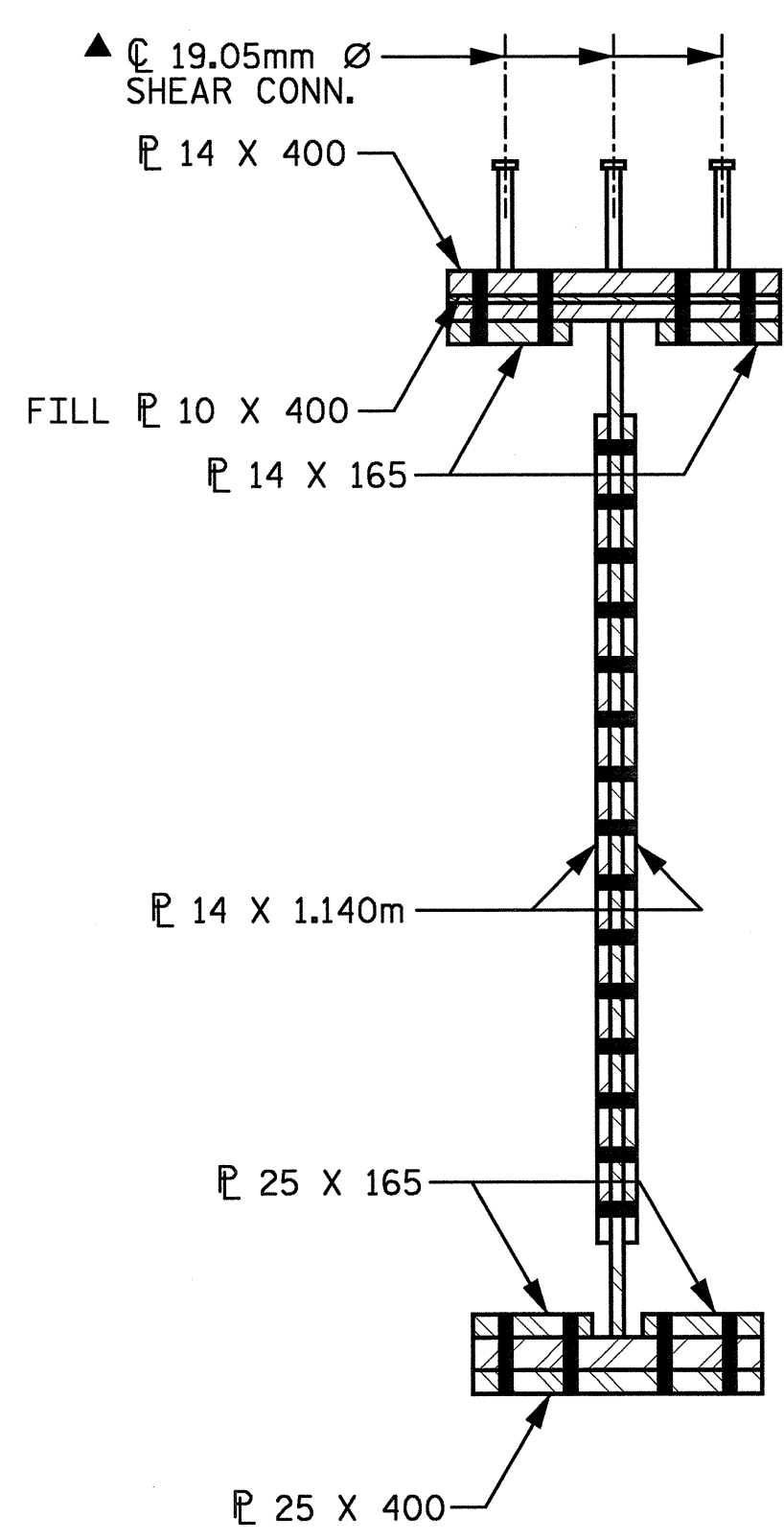
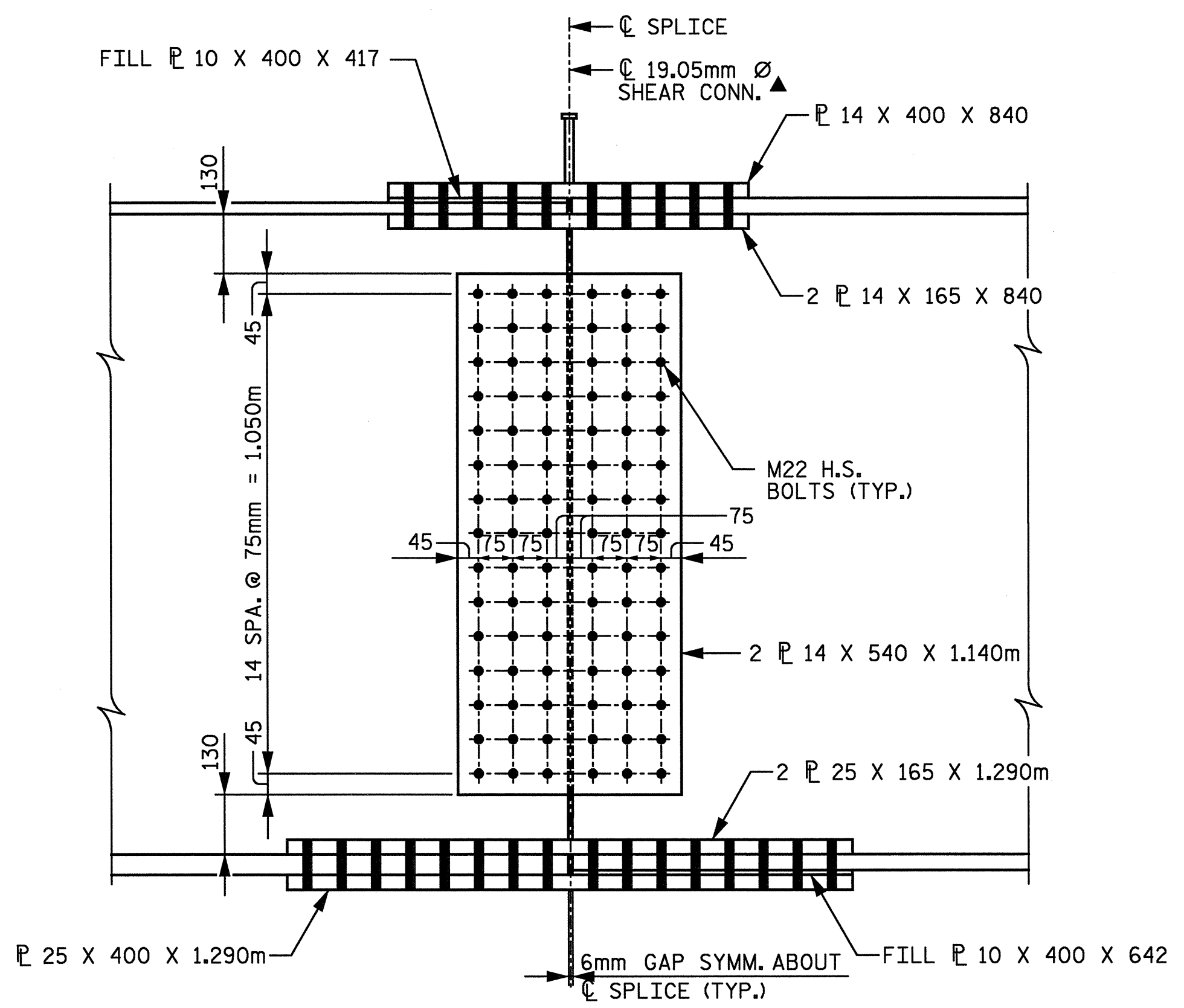


▲ SHEAR CONNECTORS ON CENTER OF SPLICE PLATE SHOWN. OTHER SHEAR CONNECTORS OMITTED FOR CLARITY. FOR OTHER SHEAR CONNECTORS, SEE "FRAMING PLAN AND GIRDER DETAILS SPAN 'A'" FOR SPACING AND DETAILS.

TOP FLANGE

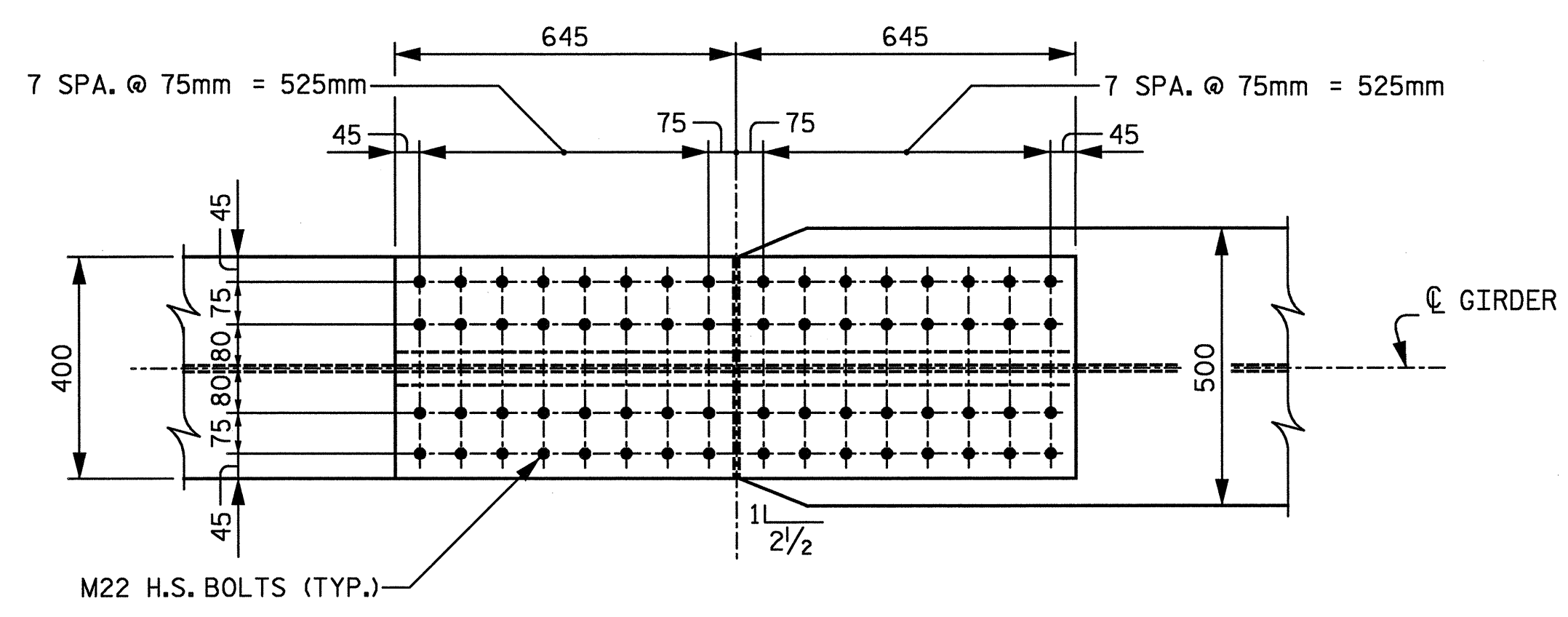


SECTION



ELEVATION

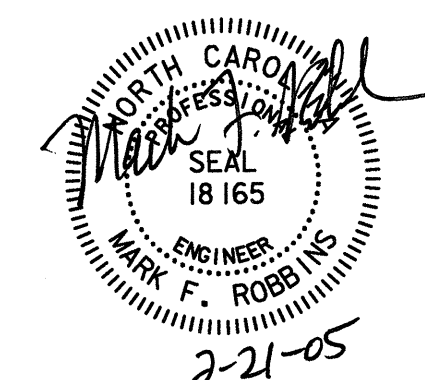
NOTE: DETAILS SHOWN ARE FOR SPAN 'A' FIELD SPLICE. FIELD SPLICE IN SPAN 'B' IS SIMILAR.



BOTTOM FLANGE

PROJECT No R-2552C
 JOHNSTON COUNTY
 STATION: POT 148+08.446 -L2-
 POT 23+96.446 -Y4-

STATE OF NORTH CAROLINA
 DEPARTMENT OF TRANSPORTATION
 RALEIGH
 BOLTED FIELD SPLICE
 -RIGHT LANE-



W RALPH WHITEHEAD ASSOCIATES, INC.
 CONSULTING ENGINEERS
 P.O. BOX 35624 CHARLOTTE, N.C. 28235
 DRAWN BY WBS, LGH DATE: 11-04 DWG. NO. D-1750.14
 CHECKED BY TVR DATE: 12-04

REVISIONS		DATE
NO.	BY	DATE
3		
4		
1		
2		

SHEET NO. 5-371
 TOTAL SHEETS 4/31