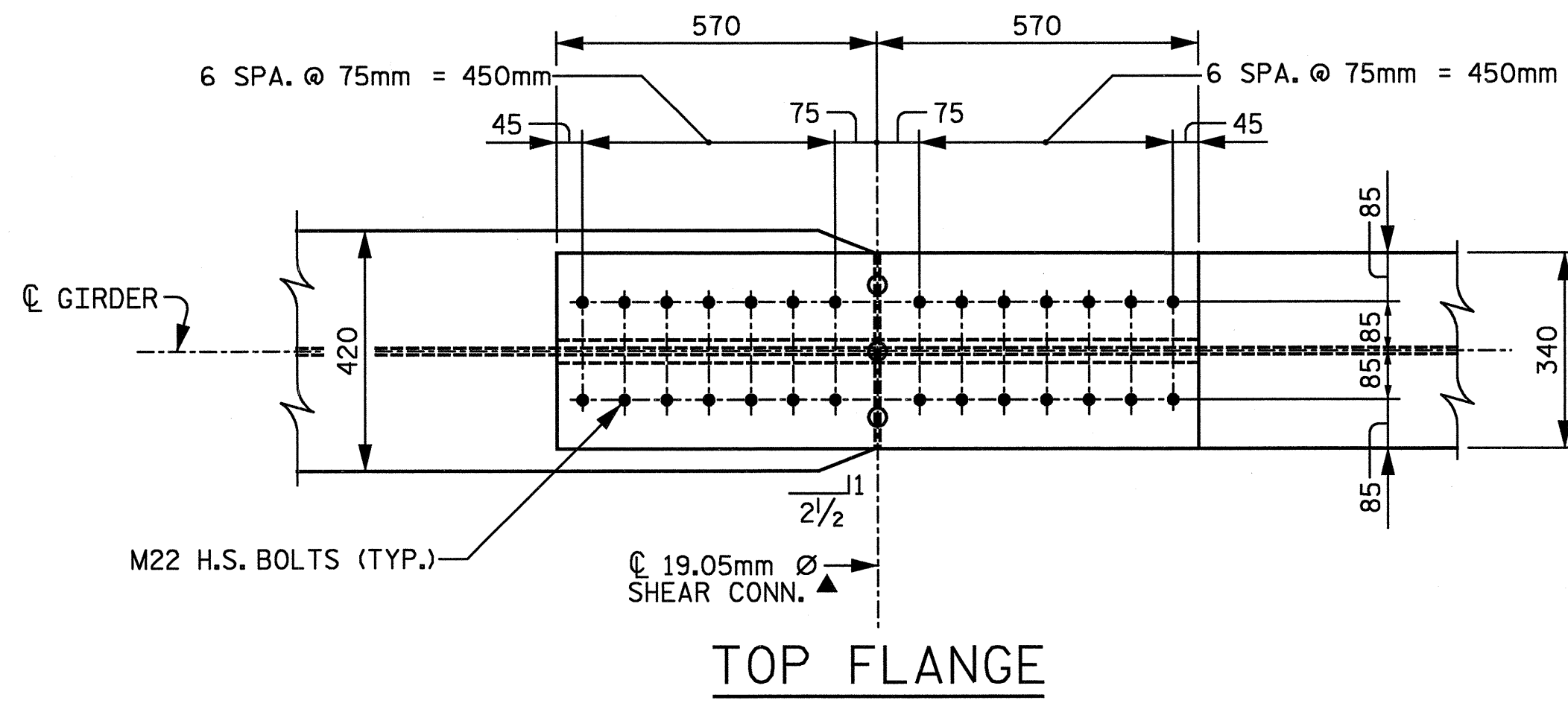
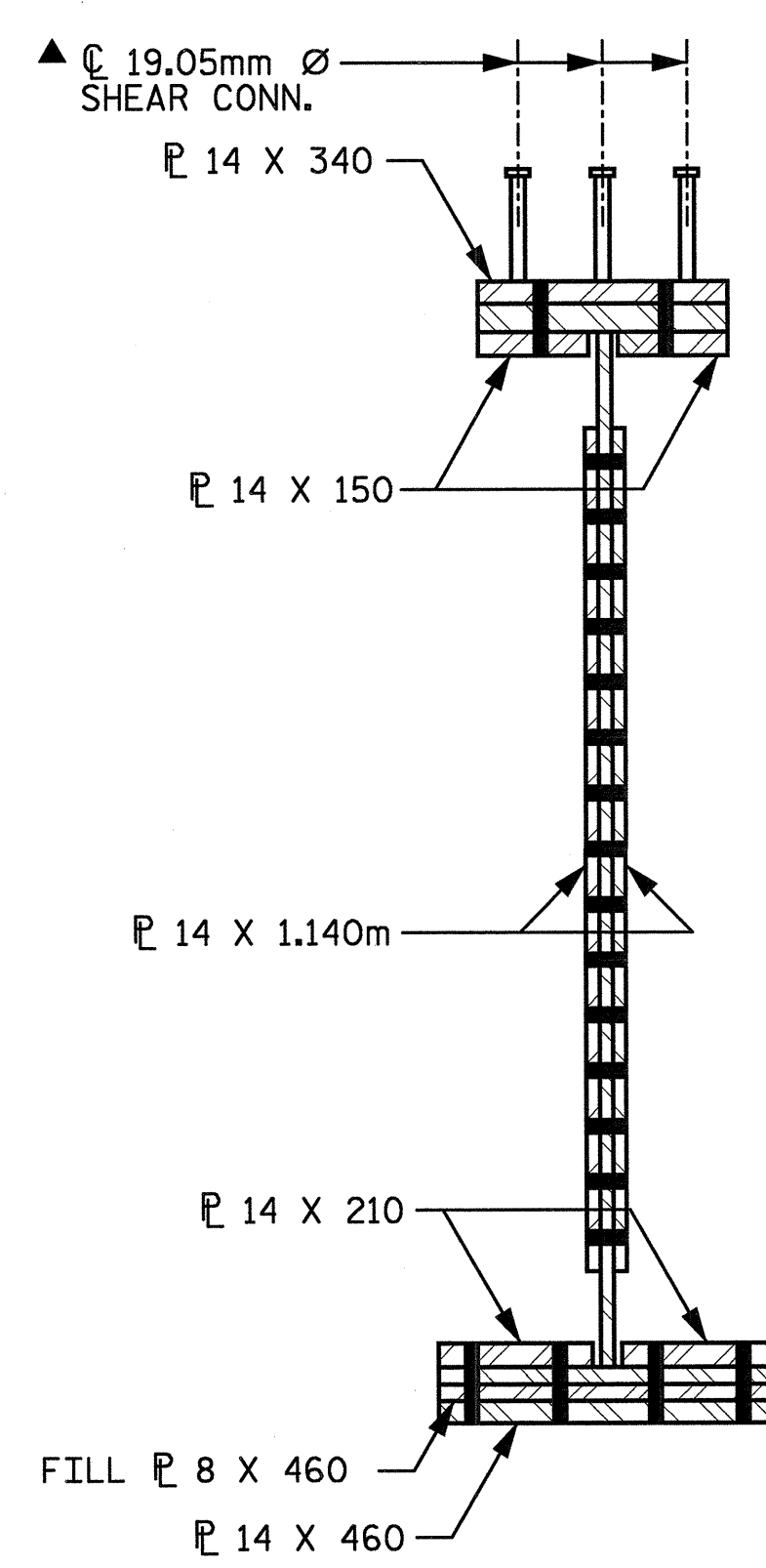


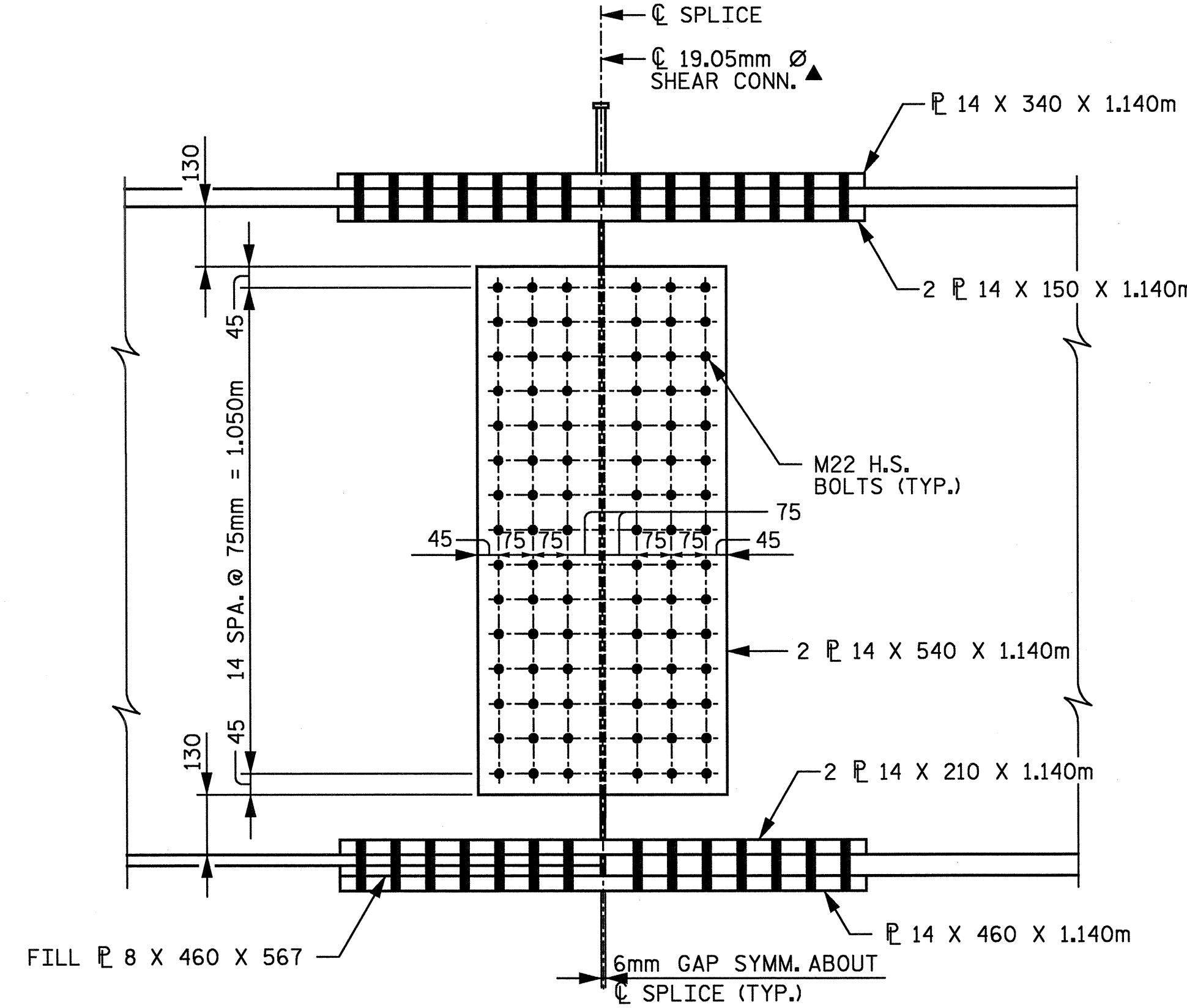
02/23/2005 10:30:47 AM m:\p\proj\3109-300\station\struct\find\3109-300_bf_splice_2.dgn



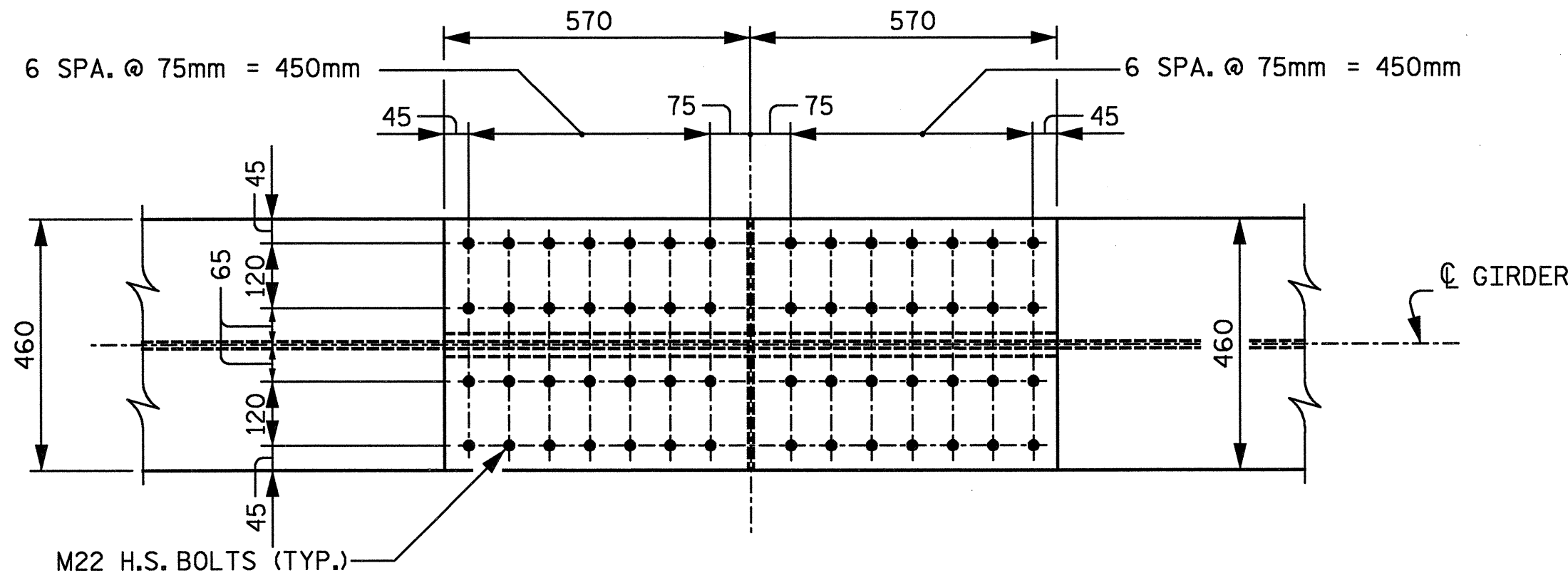
▲ SHEAR CONNECTOR ON CENTER OF SPLICE PLATE SHOWN. OTHER SHEAR CONNECTORS OMITTED FOR CLARITY. FOR OTHER SHEAR CONNECTOR SPACING, SEE "FRAMING PLAN AND GIRDER DETAILS SPAN "B".



SECTION

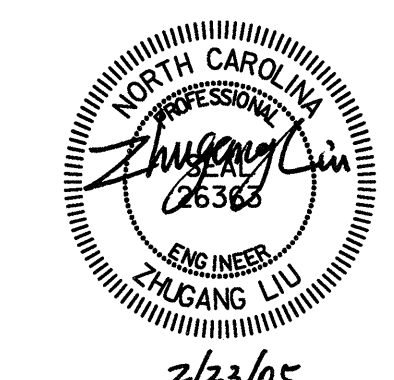
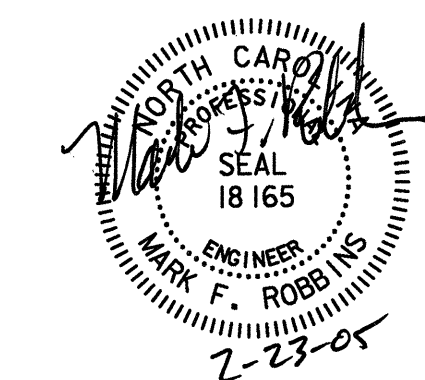


ELEVATION



BOTTOM FLANGE

PROJECT No. R-2552C
 JOHNSTON COUNTY
 STATION: POS 16+52.599 -Y4-
 POC 9+28.021 -FLYOVER-



W RALPH WHITEHEAD ASSOCIATES, INC.
 CONSULTING ENGINEERS
 P.O. BOX 35624 CHARLOTTE, N.C. 28235
 DRAWN BY JTG, LGH DATE 9-04 DWG. NO.
 CHECKED BY TVR DATE 12-04 D-1748.14

REVISIONS	
NO.	DATE
3	
1	
2	

STATE OF NORTH CAROLINA
 DEPARTMENT OF TRANSPORTATION
 RALEIGH

**BOLTED FIELD SPLICE
 TYPE II**

SHEET NO.	5-409
TOTAL SHEETS	431