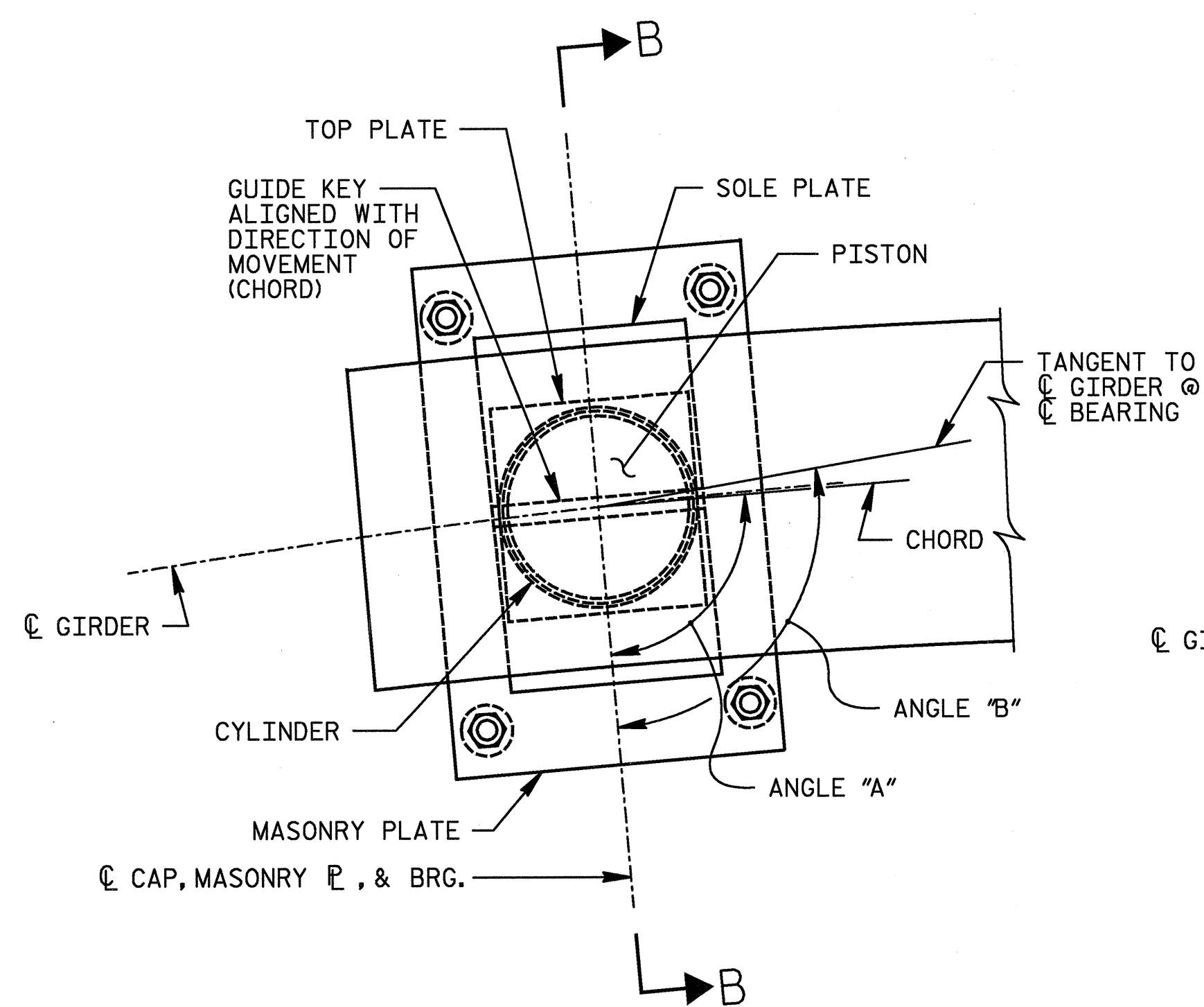


NOTES:

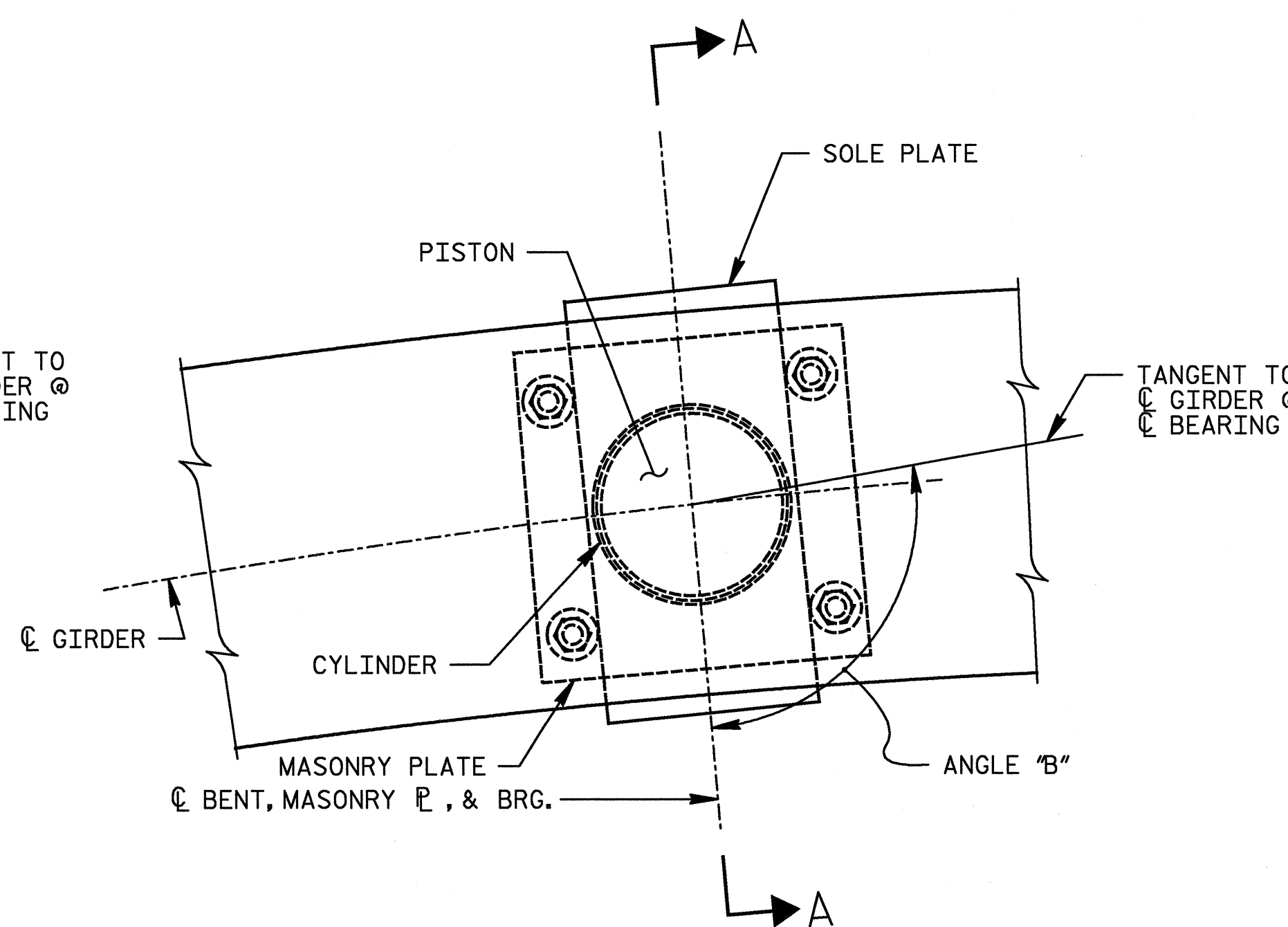
FOR SECTIONS A-A, B-B, ADDITIONAL NOTES AND ADDITIONAL DETAILS, SEE SHEET 2 OF 2.

CHORD IS FROM EXPANSION BEARING TO ADJACENT FIXED BEARING.

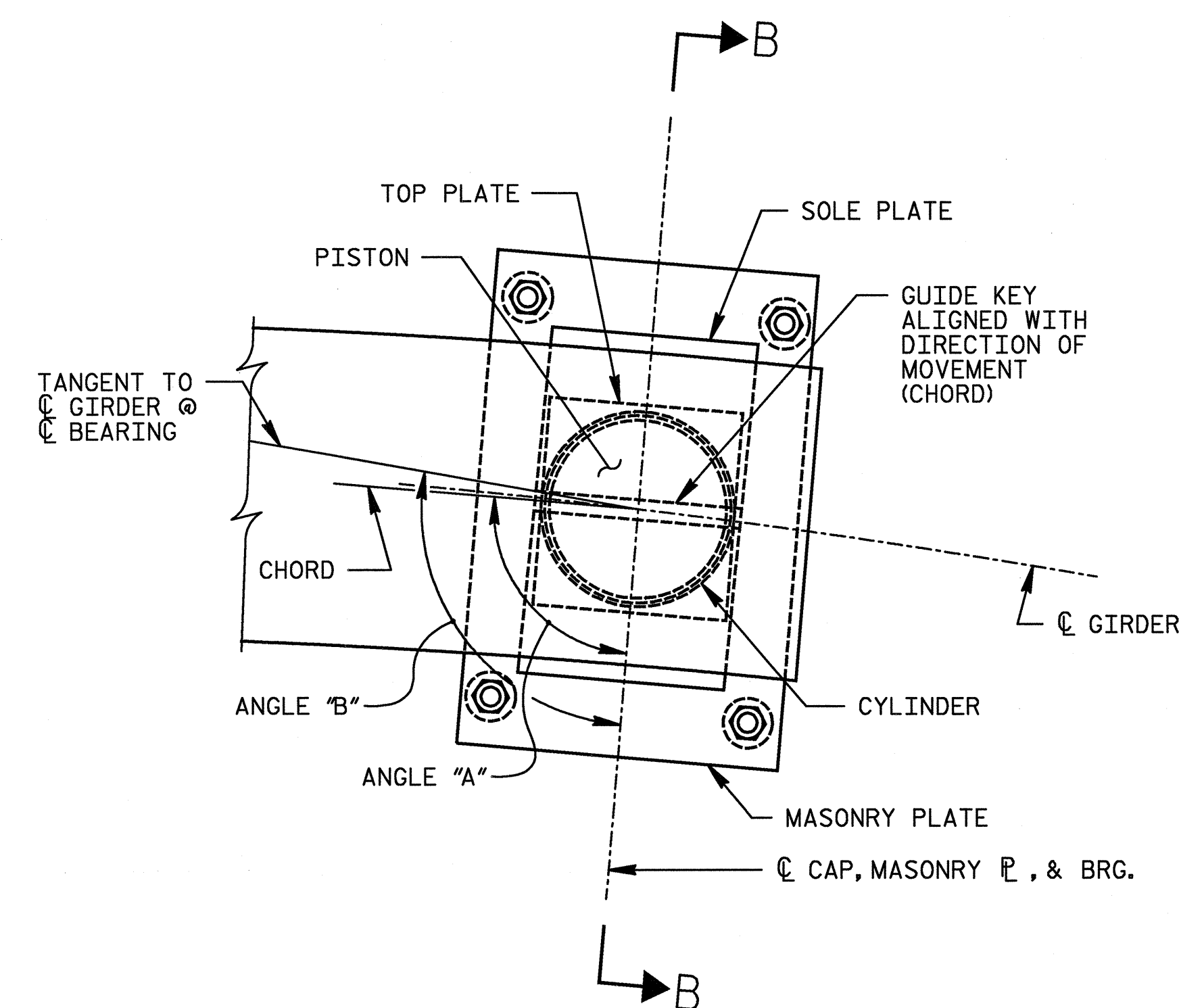
POT BEARING ANGLES			
BEARING LOCATION		CHORD ANGLE "A"	ANGLE "B"
BENT	GIRDER		
END BENT 1	1	88°-13'-34"	89°-55'-56"
	2	88°-07'-29"	89°-55'-54"
	3	88°-01'-20"	89°-55'-53"
	4	87°-55'-05"	89°-55'-52"
	5	87°-48'-45"	89°-55'-50"
BENT 1	1	-	58°-55'-55"
	2	-	58°-43'-48"
	3	-	58°-31'-30"
	4	-	58°-19'-02"
	5	-	58°-06'-23"
END BENT 2	1	87°-38'-01"	89°-55'-56"
	2	87°-44'-44"	89°-55'-55"
	3	87°-50'-12"	89°-55'-53"
	4	87°-56'-26"	89°-55'-52"
	5	88°-02'-44"	89°-55'-50"



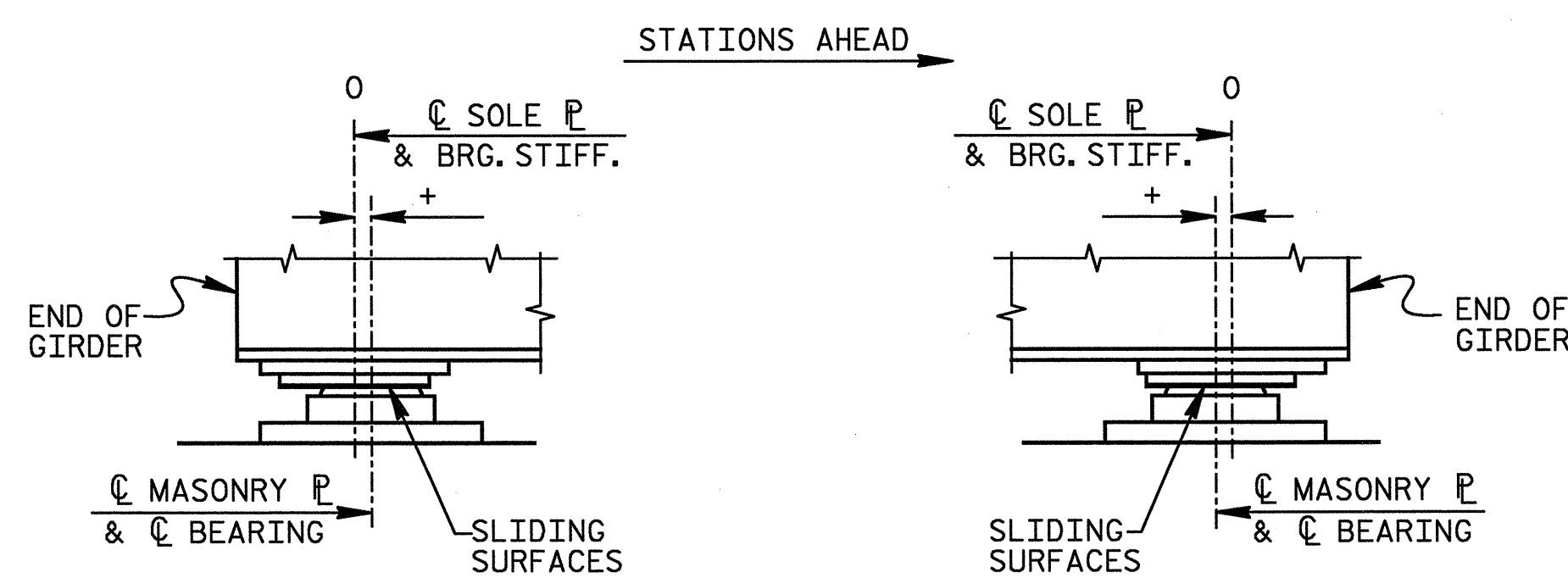
PLAN - END BENT 1
PB1



PLAN - BENT 1
PB2



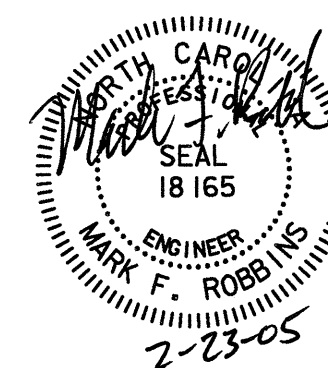
PLAN - END BENT 2
PB1



END BENT 1 END BENT 2
TEMPERATURE AND ROTATION SETTING DETAILS

PROJECT NO. **R-2552C**
JOHNSTON COUNTY
 STATION: **POS 16+52.599 -Y4-**
POC 9+28.021 -FLYOVER-
 SHEET 1 OF 2

STATE OF NORTH CAROLINA DEPARTMENT OF TRANSPORTATION RALEIGH					
STANDARD POT BEARING DETAILS					
REVISIONS					
NO.	BY:	DATE:	NO.	BY:	DATE:
1			3		
2			4		
					SHEET NO. S-410 TOTAL SHEETS 431



D-1748.15

PB1SM.STD

02/23/2005 10:30:47 AM n:\proj\3109-300\station\struct\final\3109-300_pot_1.dgn

ASSEMBLED BY : DDL	DATE : 8-04
CHECKED BY : TVR	DATE : 12-04
DRAWN BY : RWW 8/99	ADDED 8/16/99
CHECKED BY : LES 8/99	REV. 10/17/00 RWW/LES
	REV. 7/10/01 LES/RWW