

NOTES

THE GUARDRAIL ANCHOR ASSEMBLY SHALL CONSIST OF A 6mm HOLD DOWN PLATE AND 7 - 22.23mm Ø BOLTS WITH NUTS AND WASHERS.

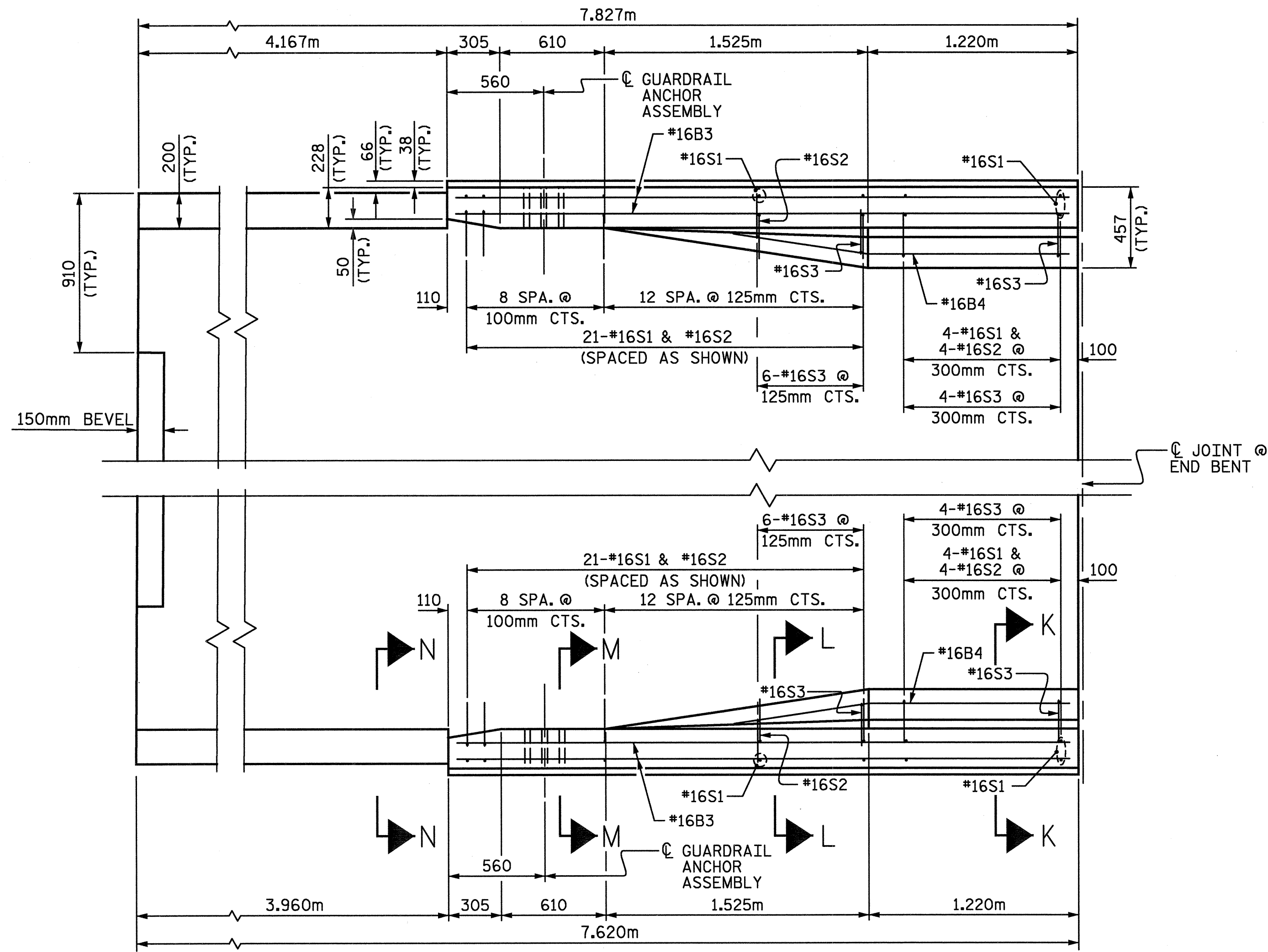
THE HOLD-DOWN PLATE SHALL CONFORM TO AASHTO M270 GRADE 250. AFTER FABRICATION, THE HOLD-DOWN PLATE SHALL BE GALVANIZED IN ACCORDANCE WITH AASHTO M111.

BOLTS SHALL CONFORM TO THE REQUIREMENTS OF ASTM A307 AND NUTS SHALL CONFORM TO THE REQUIREMENTS OF AASHTO M291M. BOLTS, NUTS AND WASHERS SHALL BE GALVANIZED. AT THE CONTRACTOR'S OPTION, STAINLESS STEEL BOLTS, NUTS AND WASHERS MAY BE USED AS AN ALTERNATE FOR THE 22.23mm Ø GALVANIZED BOLTS, NUTS AND WASHERS. THEY SHALL CONFORM TO OR EXCEED THE MECHANICAL REQUIREMENTS OF ASTM A307. THE USE OF THIS ALTERNATE SHALL BE APPROVED BY THE ENGINEER.

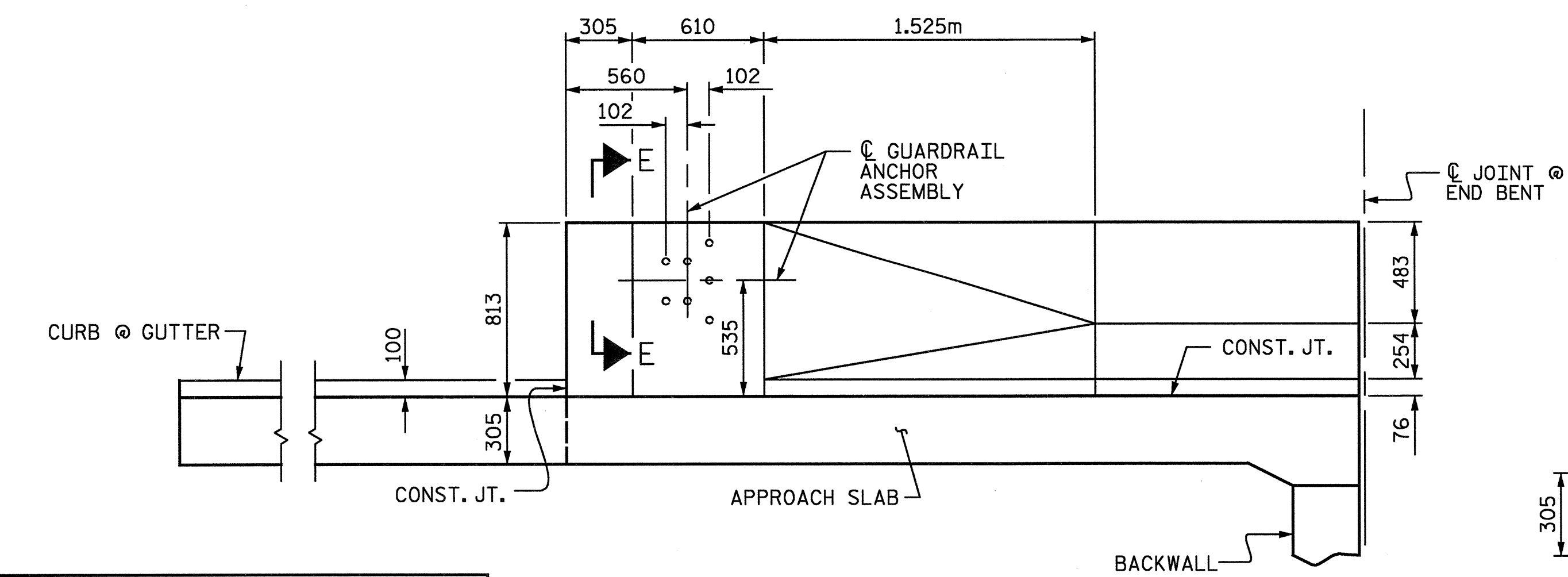
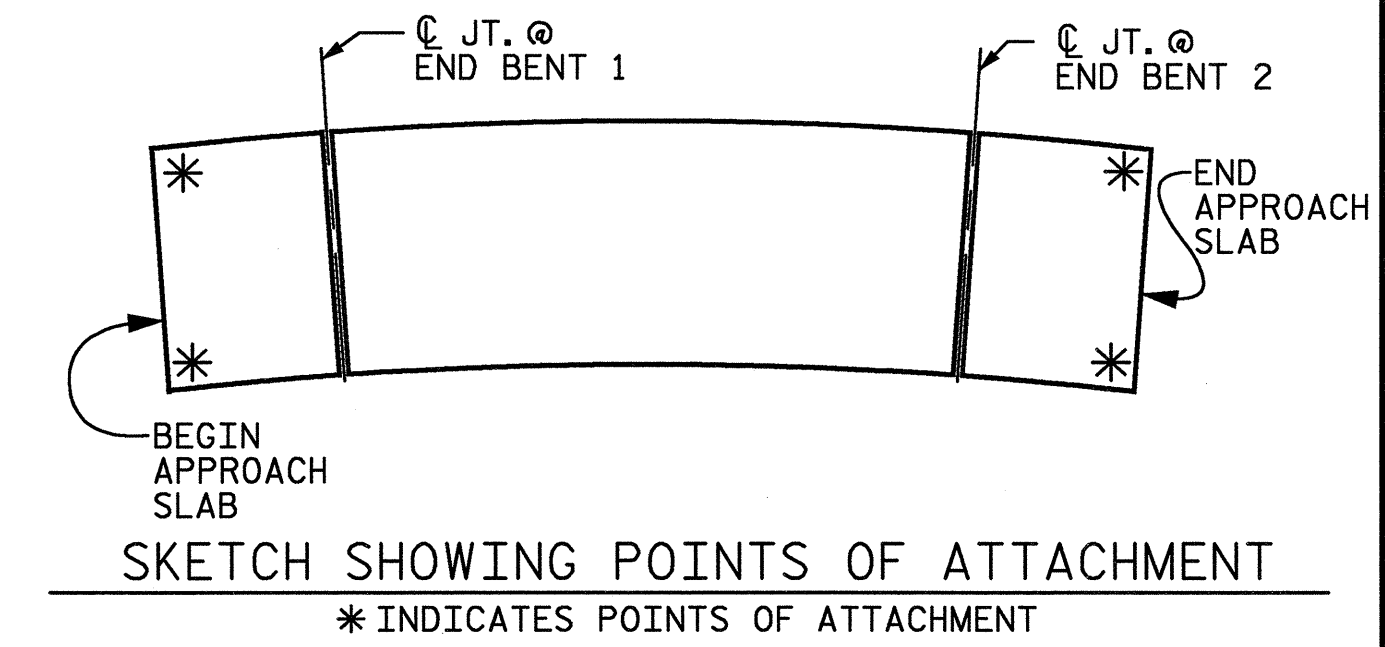
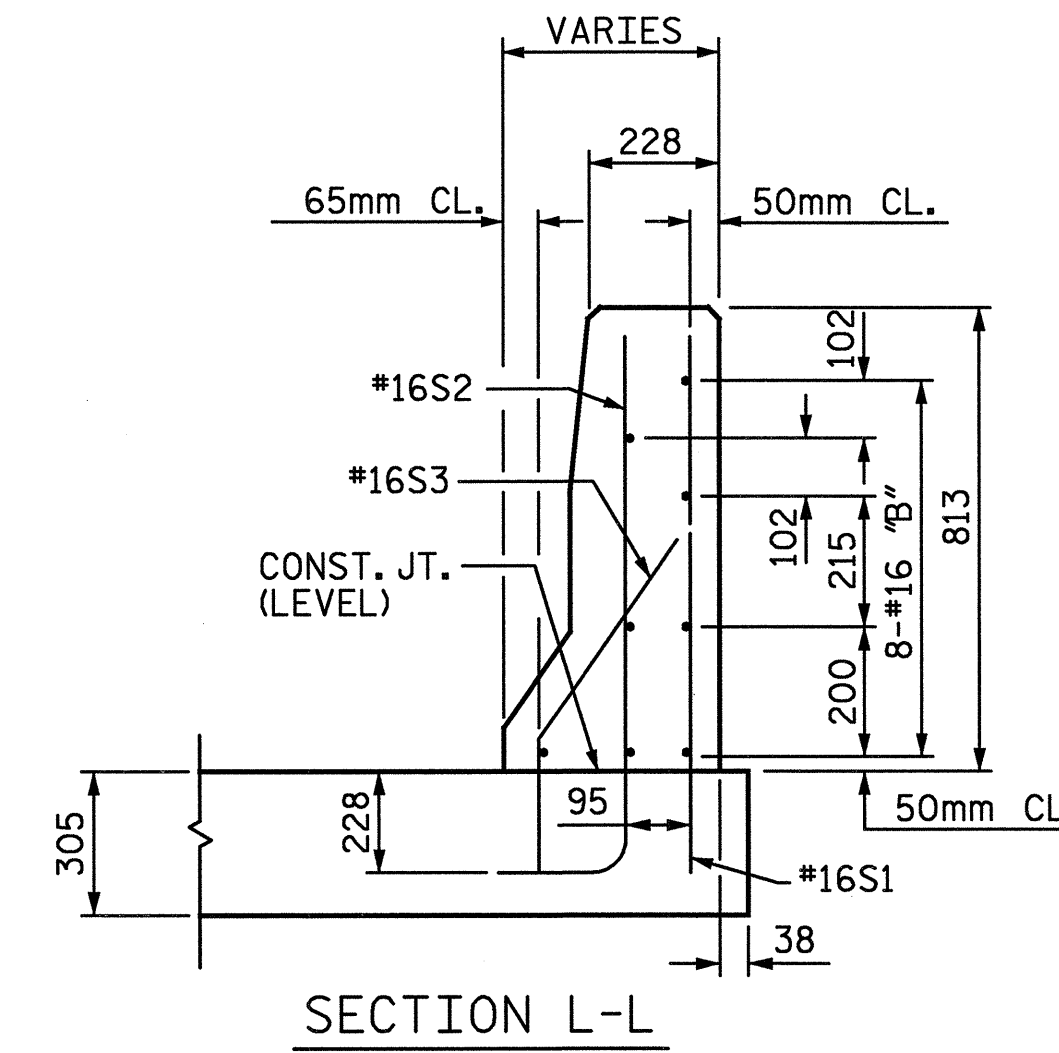
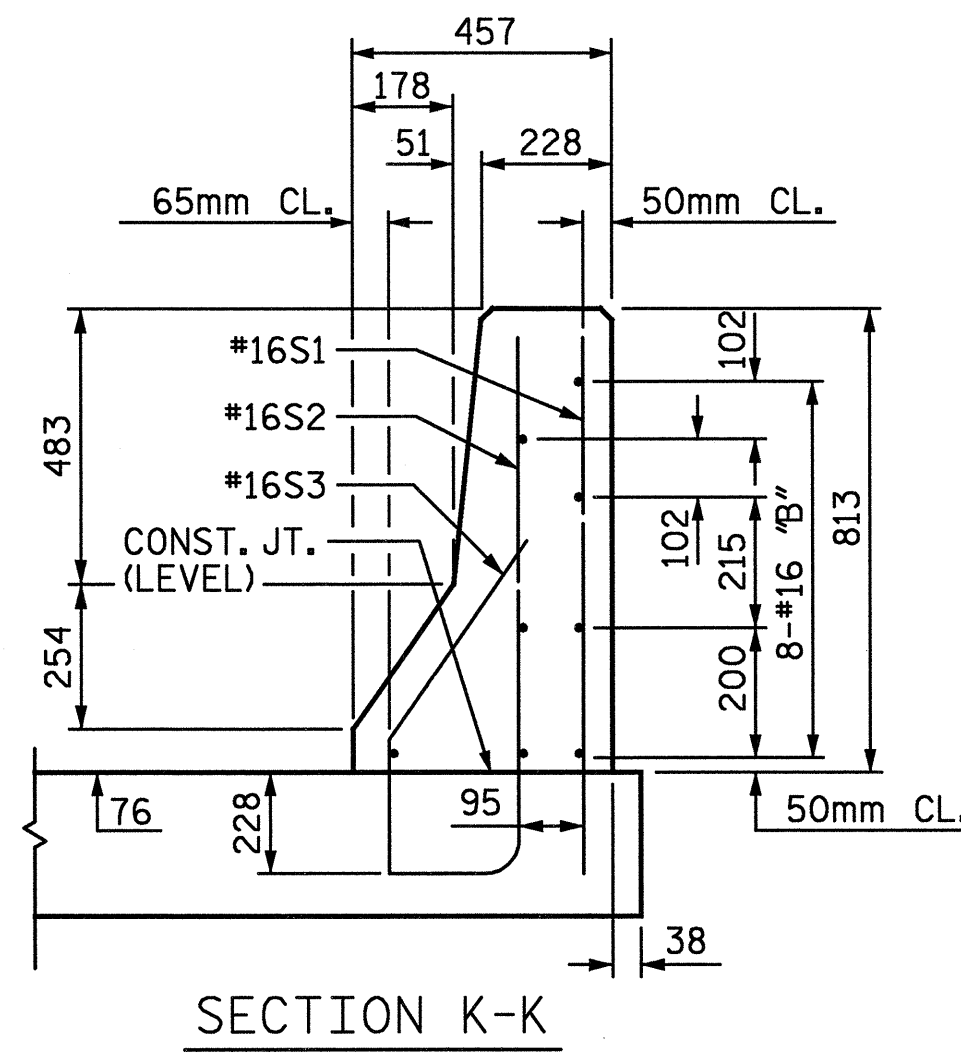
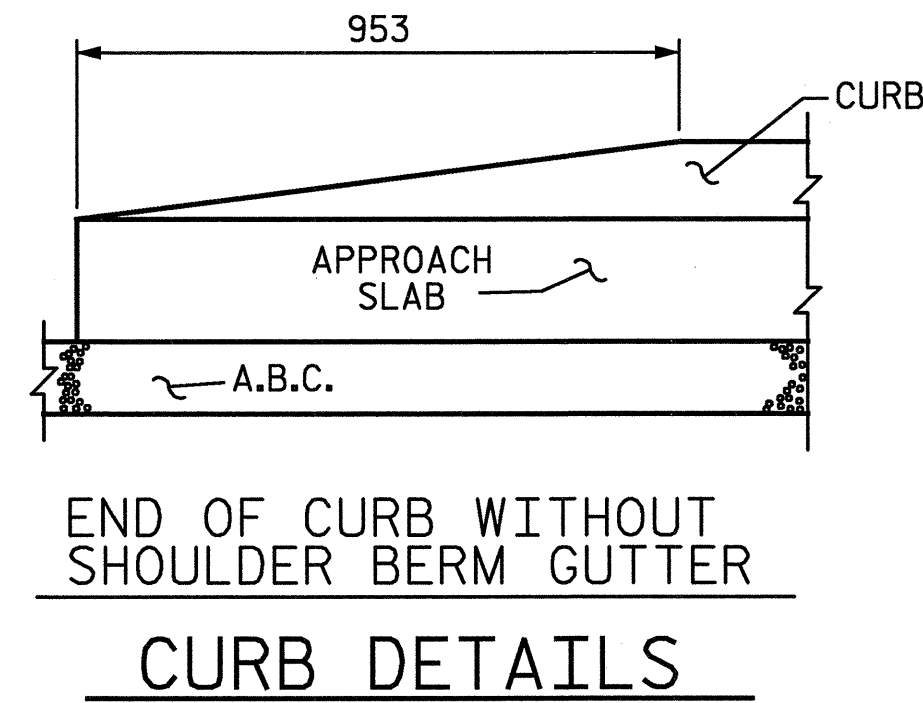
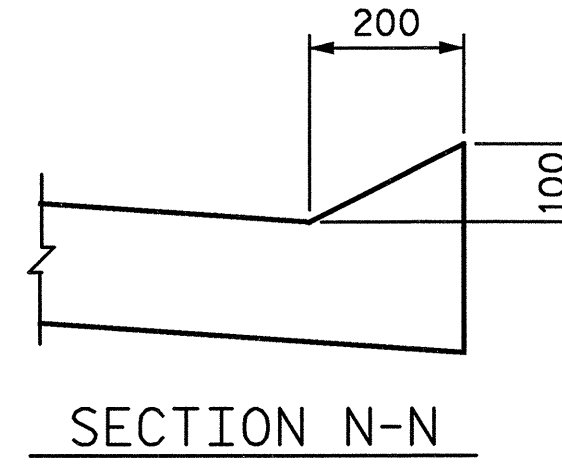
AFTER INSTALLATION, THE EXPOSED THREAD OF THE BOLT SHALL BE BURRED WITH A SHARP POINTED TOOL.

THE COST OF THE GUARDRAIL ANCHOR ASSEMBLIES WITH BOLTS, NUTS AND WASHERS COMPLETE IN PLACE, SHALL BE INCLUDED IN THE LUMP SUM CONTRACT PRICE BID FOR BRIDGE APPROACH SLABS.

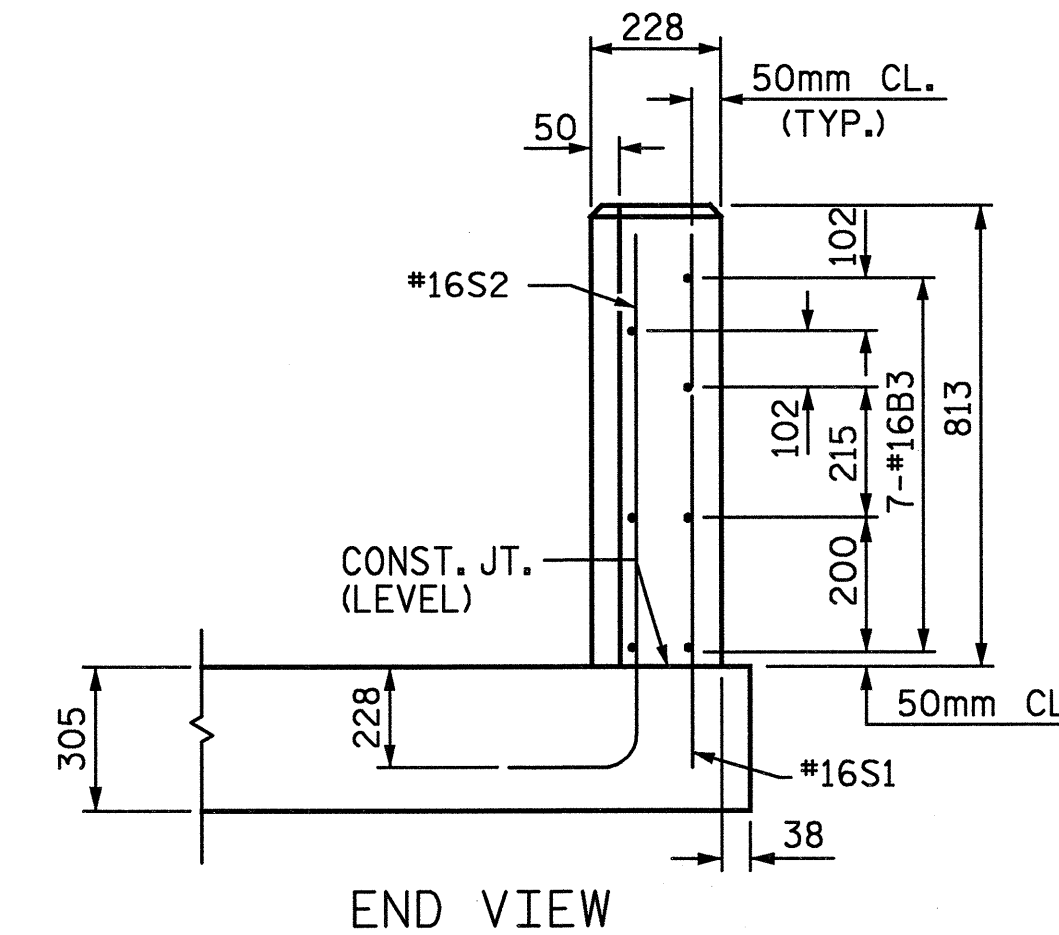
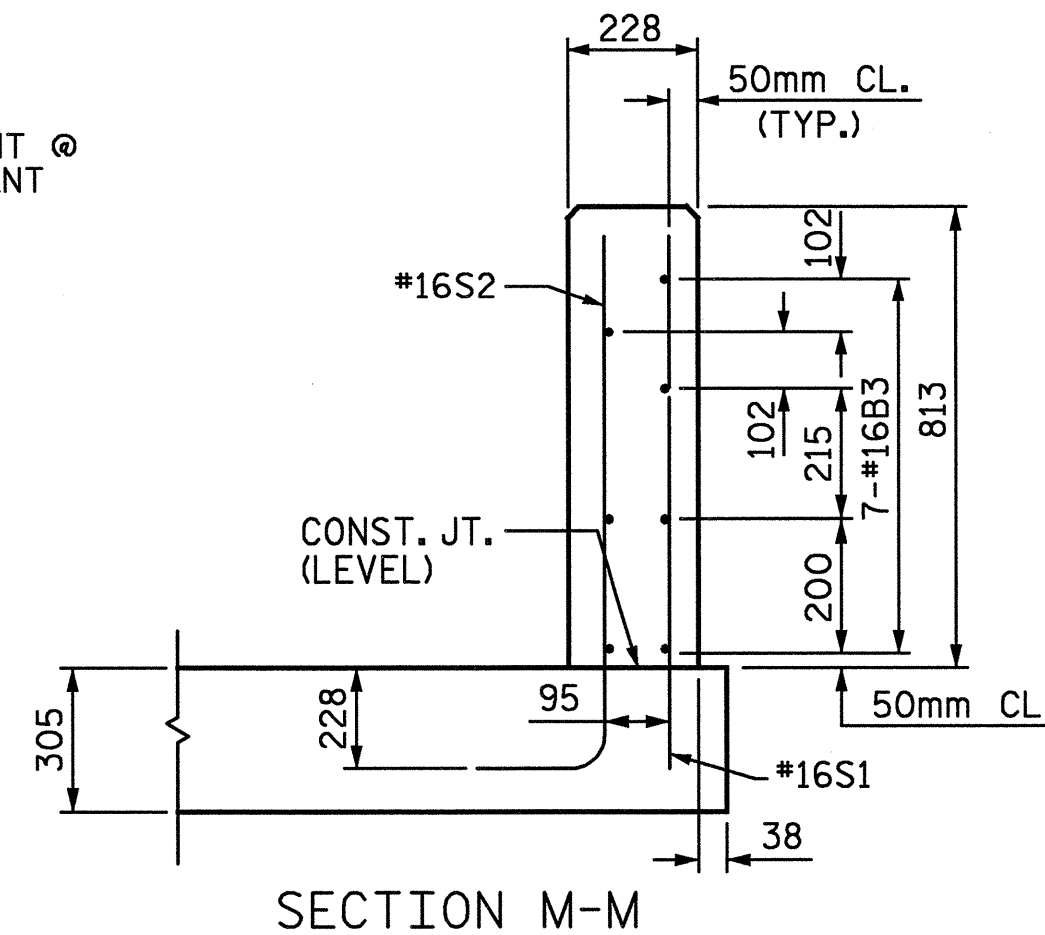
THE 32mm Ø HOLES SHALL BE FORMED OR DRILLED WITH A CORE BIT. IMPACT TOOLS WILL NOT BE PERMITTED. ANY CONCRETE DAMAGED BY THIS WORK SHALL BE REPAIRED TO THE SATISFACTION OF THE ENGINEER.



PLAN
BEGIN APPROACH SLAB SHOWN,
END APPROACH SLAB SIMILAR



ELEVATION
FOR GUARDRAIL ANCHOR ASSEMBLY AND
SECTION E-E, SEE SHEET 1 OF 5.



02/23/2005 10:44:46 AM n:\proj\309-300\station\struct\final\309-300_bas6sm.dgn

ASSEMBLED BY : LGH	DATE : 12-04
CHECKED BY : TBQ	DATE : 12-04
DRAWN BY : RWW 8/01	REV. 5/7/03R RWW/JTE
CHECKED BY : LES 8/01	

 2-23-05	 2/23/05
-------------	-------------

PROJECT NO. R-2552C
JOHNSTON COUNTY
STATION: POT 16+52.599 -Y4-
POC 9+28.021 -FLYOVER-
SHEET 2 OF 5

STATE OF NORTH CAROLINA DEPARTMENT OF TRANSPORTATION RALEIGH			
BRIDGE APPROACH SLAB DETAILS FOR FLEXIBLE PAVEMENT WITH BARRIER RAIL			
REVISIONS		SHEET NO.	
NO.	BY:	DATE:	NO.
1			3
2			4
			TOTAL SHEETS
			431

D-1748.33

STD. NO. BAS6SM