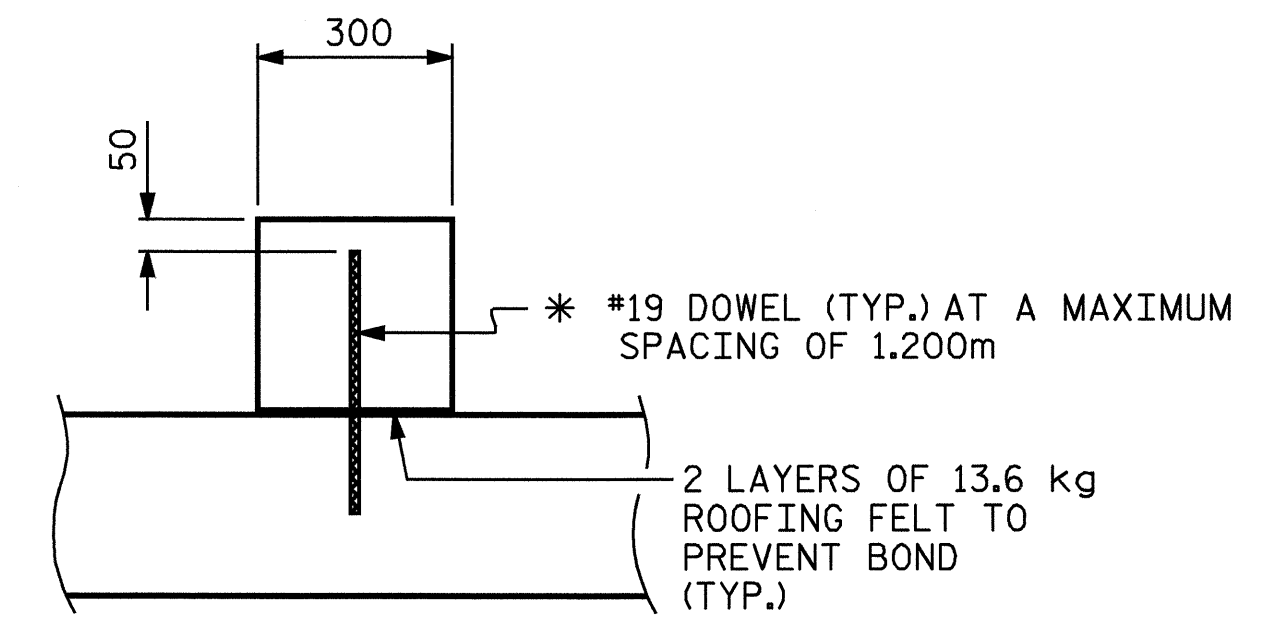
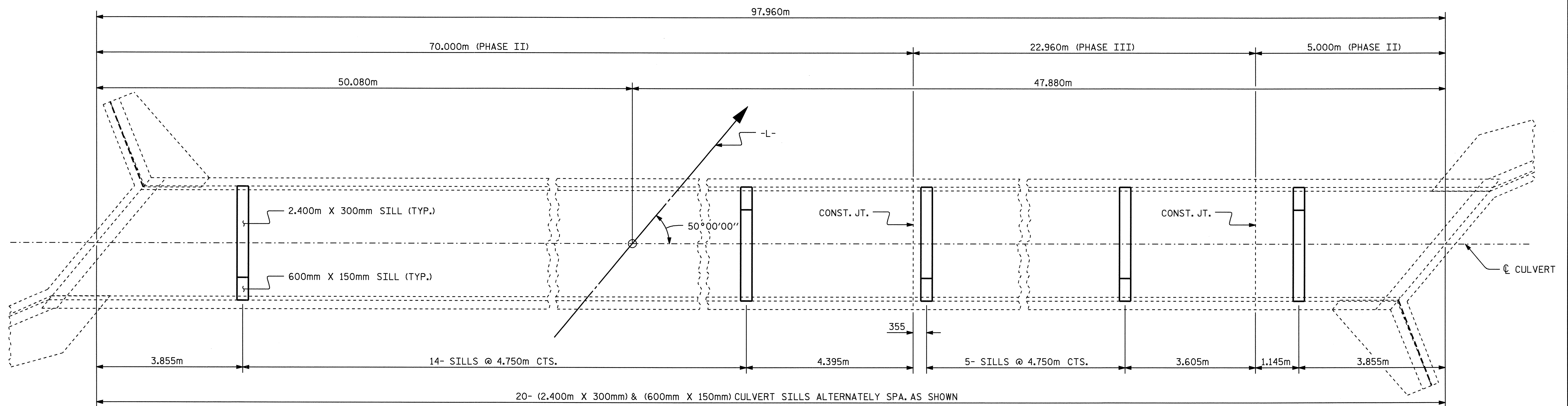


**ELEVATION OF SILLS LOCATION**  
ALTERNATE HIGH AND LOW SIDE OF SILL

\* DOWELS MAY BE PUSHED INTO GREEN CONCRETE AFTER SLAB HAS BEEN FLOAT FINISHED.



**SECTION THROUGH SILL**



**PLAN OF SILLS LOCATION**

**CULVERT SILLS DETAILS**

PROJECT NO. R-2552B  
JOHNSTON COUNTY  
 STATION: 84+17.500 -L-

SHEET 4 OF 6



STATE OF NORTH CAROLINA  
 DEPARTMENT OF TRANSPORTATION  
 RALEIGH  
**SINGLE**  
**3.000m X 2.100m**  
**CONCRETE BOX CULVERT**  
**50° SKEW**

DRAWN BY: D. A. GLADDEN DATE: 1-3-05  
 CHECKED BY: J. B. WILSON DATE: 2-14-05

03-MAR-2005 11:21  
 W:\sdquacy\2552b\Final Plans\R-2552BL\_sd\_CU.dgn  
 dahodge

REVISIONS						SHEET NO.
NO.	BY:	DATE:	NO.	BY:	DATE:	C-4
1			3			TOTAL SHEETS
2			4			42

STR. #714