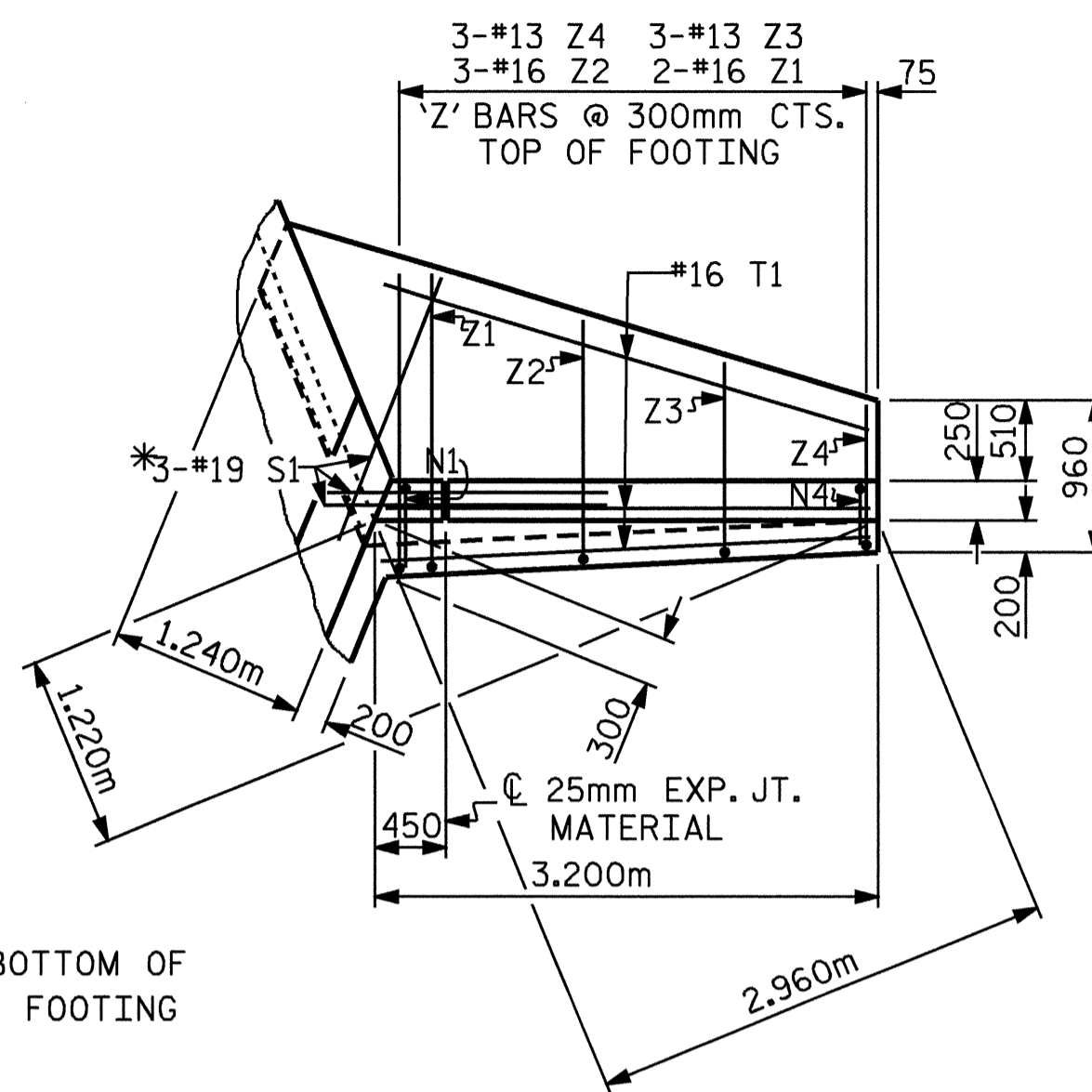
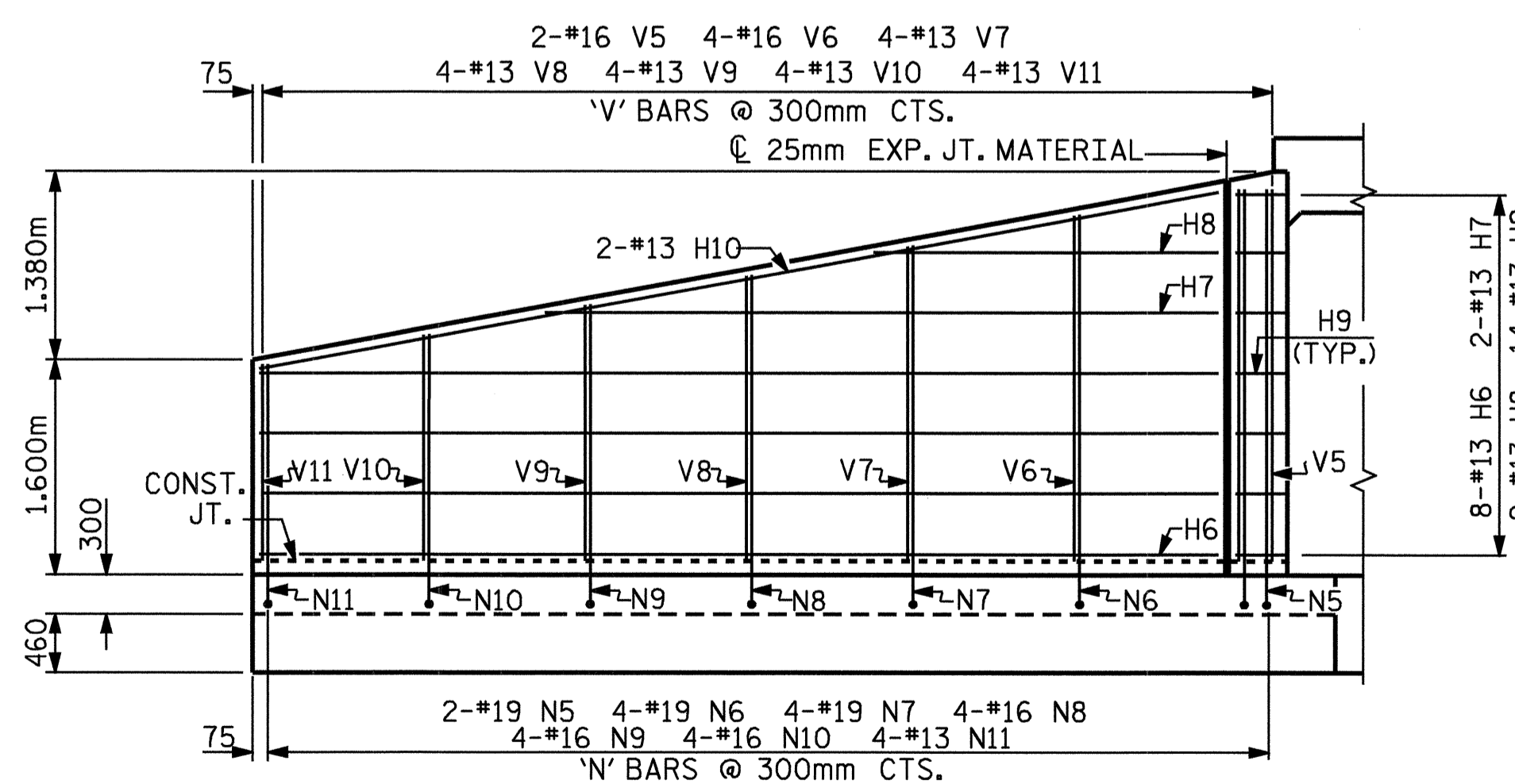


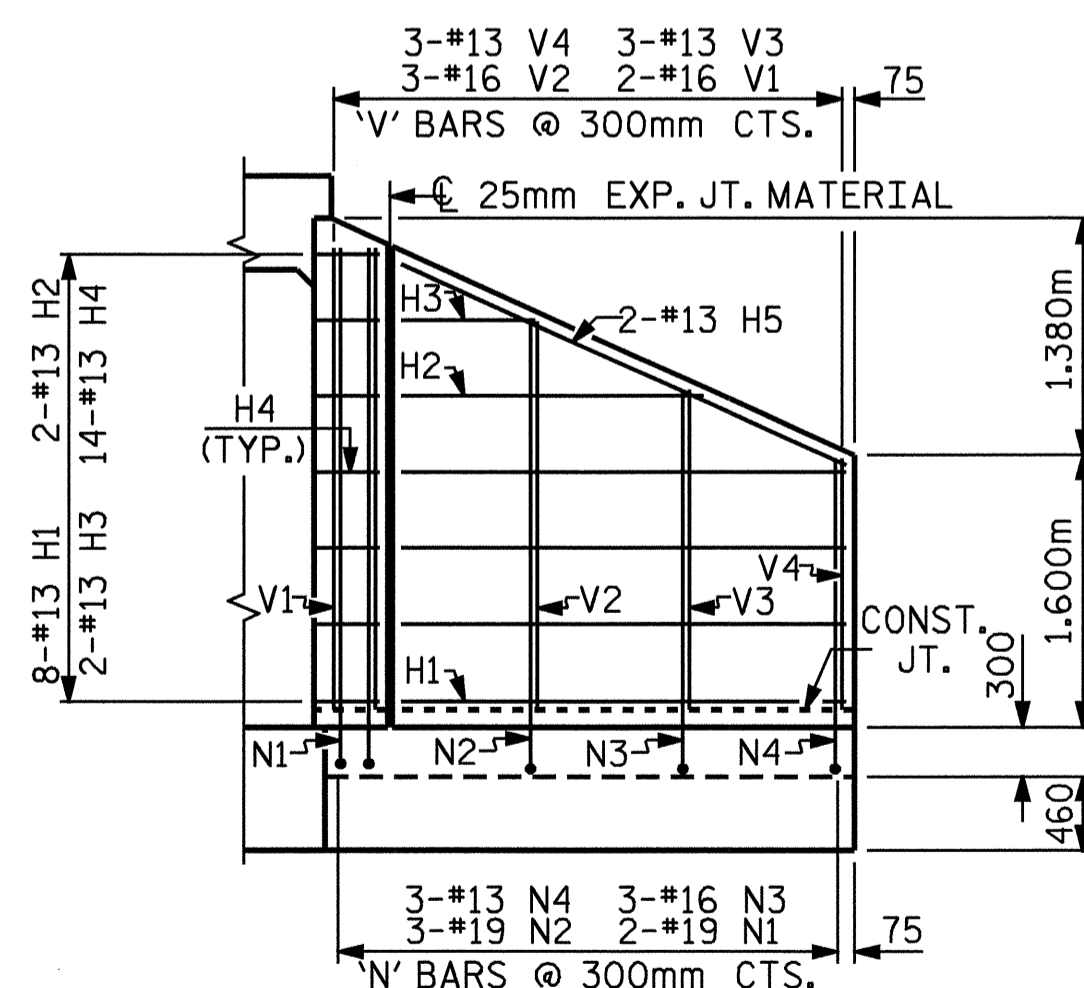
PLAN W1



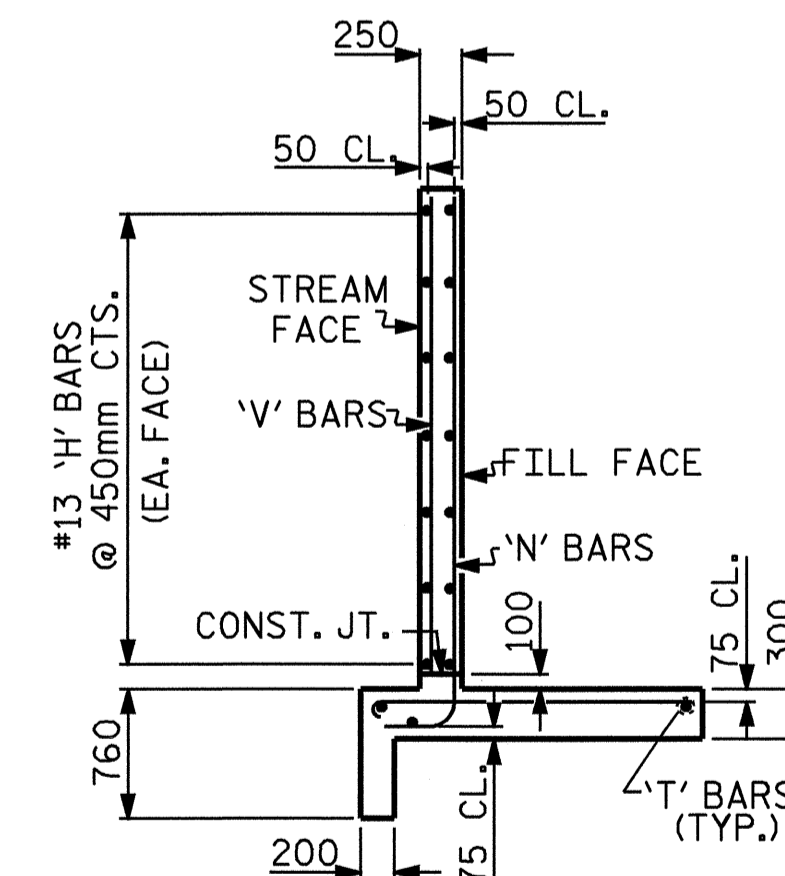
PLAN W2



ELEVATION W1



ELEVATION W2



TYPICAL WING SECTION

ALL BAR DIMENSIONS ARE OUT TO OUT.

(1) (2)

(3) (4) HK.

BAR TYPES		BILL OF MATERIAL	
BAR NO.	SIZE	TYPE	LENGTHWEIGHT
H1	16	13	STR 2640 42
H2	4	13	STR 1840 7
H3	4	13	STR 780 3
H4	28	13	1 980 27
H5	4	13	STR 2860 11
H6	16	13	STR 7140 114
H7	4	13	STR 5140 20
H8	4	13	STR 2480 10
H9	28	13	2 980 27
H10	4	13	STR 7240 29
N1	4	19	3 3220 29
N2	6	19	3 2820 38
N3	6	16	3 2460 23
N4	6	13	3 2080 12
N5	4	19	3 3280 29
N6	8	19	3 3080 55
N7	8	19	3 2880 51
N8	8	16	3 2680 33
N9	8	16	3 2480 31
N10	8	16	3 2280 28
N11	8	13	3 2080 17
S1	12	19	STR 1800 48
T1	6	16	STR 3200 30
T2	6	16	STR 7700 72
V1	4	16	STR 2600 16
V2	6	16	STR 2200 20
V3	6	13	STR 1840 11
V4	6	13	STR 1460 9
V5	4	16	STR 2660 17
V6	8	16	STR 2460 31
V7	8	13	STR 2260 18
V8	8	13	STR 2060 16
V9	8	13	STR 1860 15
V10	8	13	STR 1660 13
V11	8	13	STR 1460 12
Z1	4	16	4 1980 12
Z2	6	16	4 1680 16
Z3	6	13	4 1340 8
Z4	6	13	4 1020 6
Z5	4	16	4 2040 13
Z6	8	16	4 1900 24
Z7	10	16	4 1660 26
Z8	10	13	4 1440 14
Z9	10	13	4 1220 12
Z10	10	13	4 1020 10

REINFORCING STEEL 1105 kg  
 FOR 4 WINGS  
 CLASS A CONCRETE  
 4 WINGS 25.5 m³  
 2 HEADWALLS 1.2 m³  
 2 END CURTAIN WALLS 1.1 m³  
 TOTAL 27.8 m³

PROJECT NO. R-252B  
JOHNSTON COUNTY  
 STATION: 24+48.770-Y11-REV.

SHEET 4 OF 4  
 STATE OF NORTH CAROLINA  
 DEPARTMENT OF TRANSPORTATION  
 RALEIGH  
**WINGS FOR CONCRETE BOX CULVERT**  
 H = 2.700m SLOPE 2:1  
 138°-00'-00" SKEW



ASSEMBLED BY : J.B. WILSON	DATE : 2/9/05
CHECKED BY : D.A. GLADDEN	DATE : 2/9/05
DRAWN BY : KJA 7/97	
CHECKED BY : RH 11/98	

REVISIONS				SHEET NO.
NO.	BY:	DATE:	NO.	DATE:
1			3	
2			4	

TOTAL SHEETS 42

FOR WING ORIENTATION, SEE BARREL STANDARD SHEET.