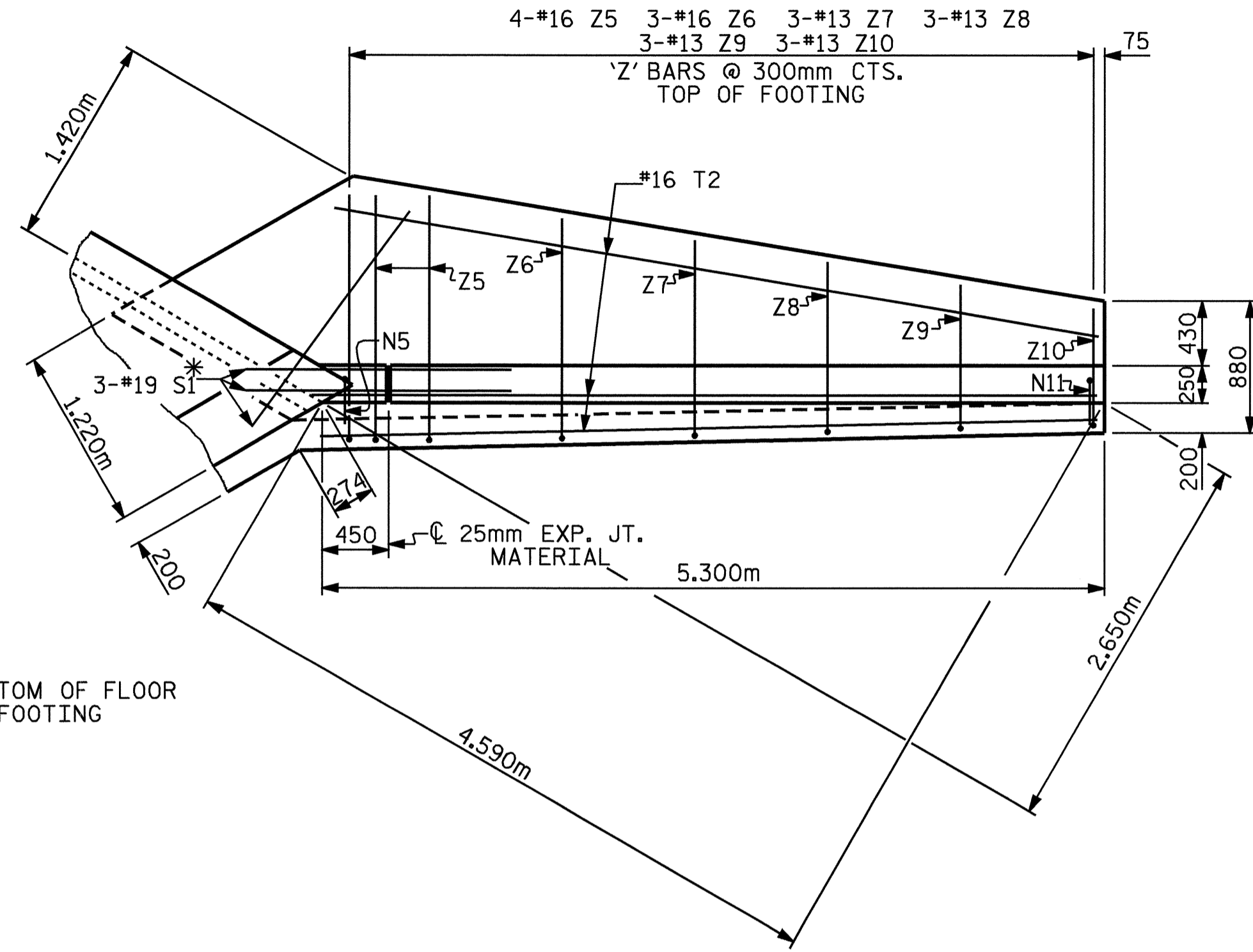
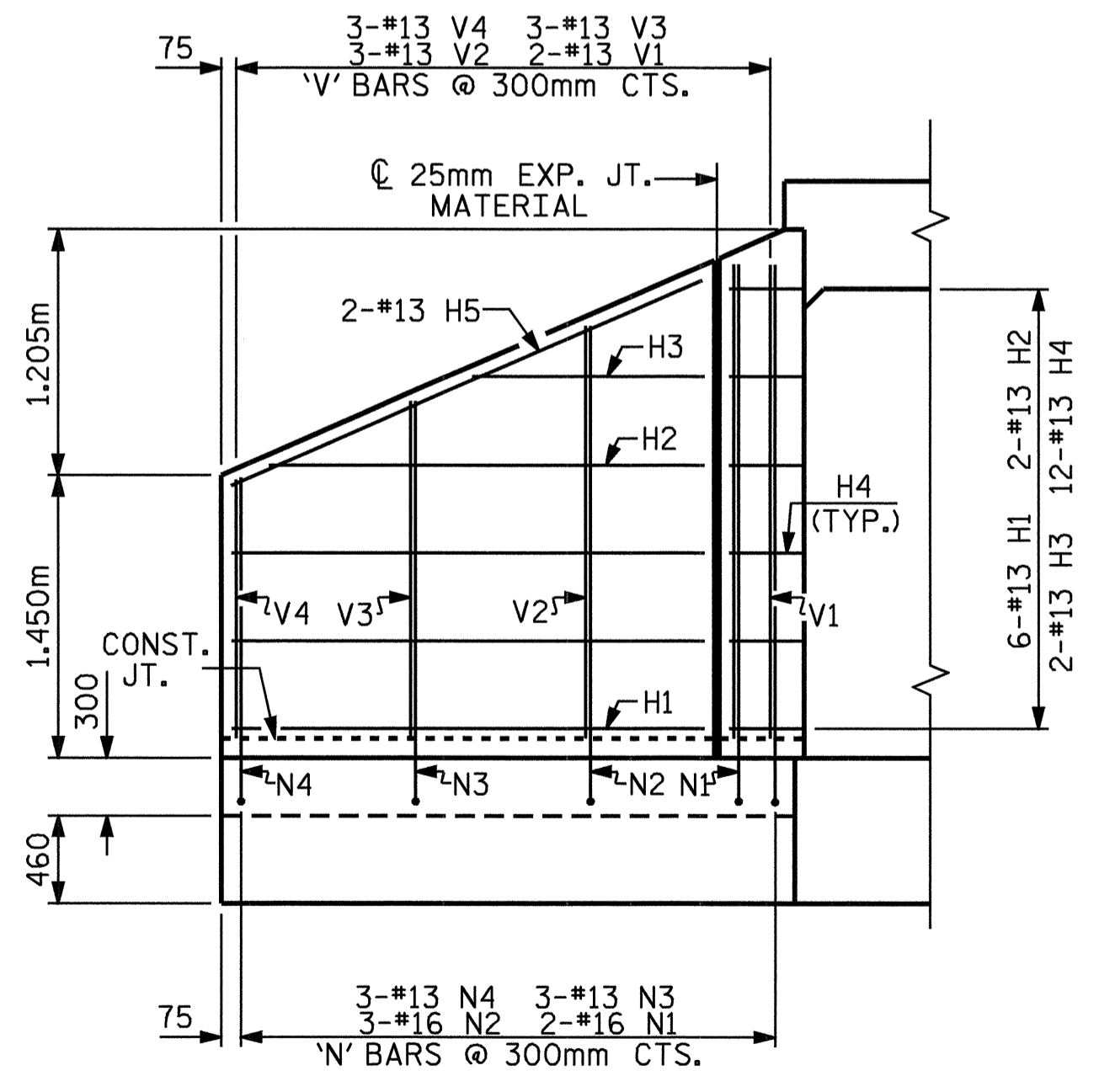


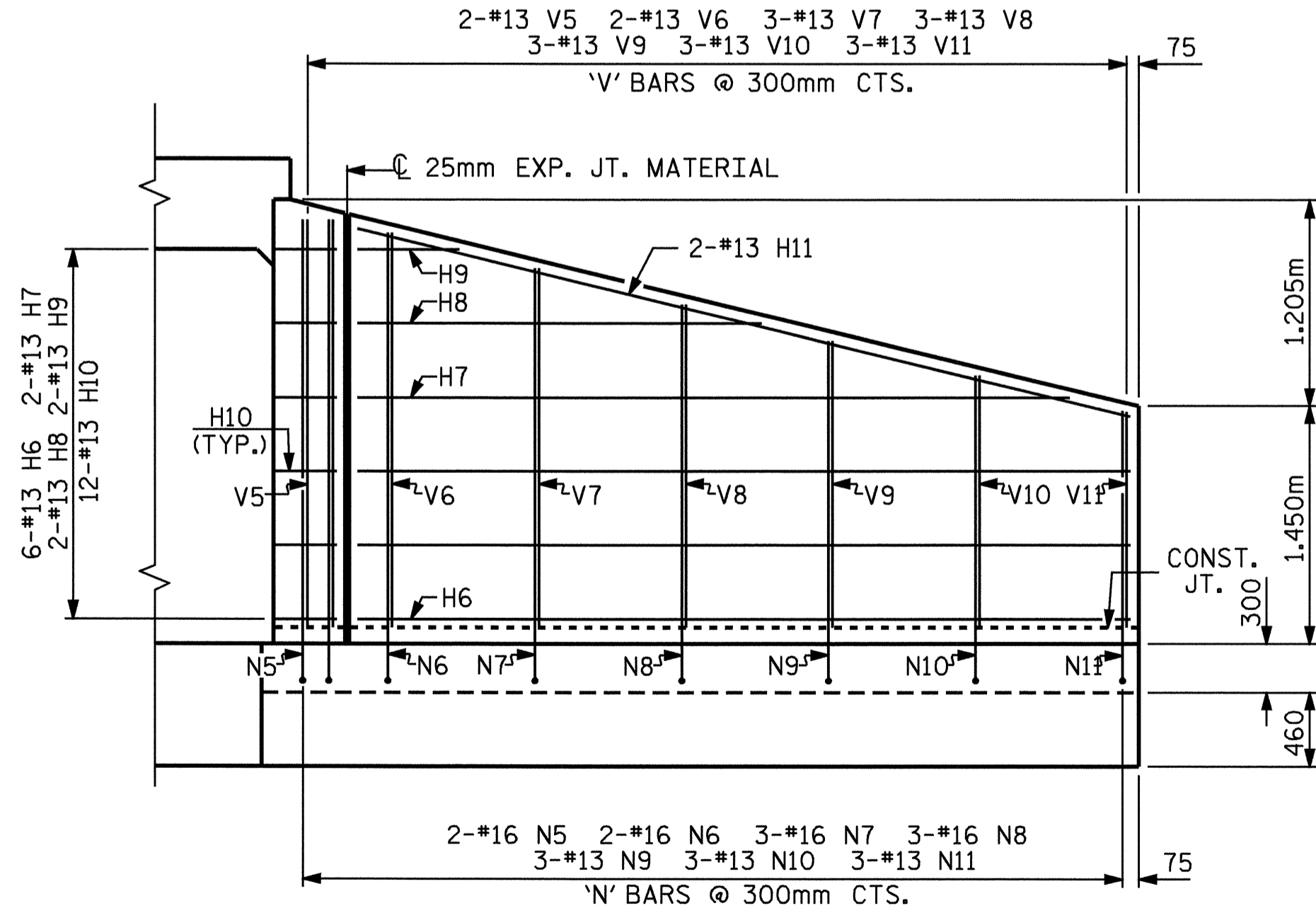
PLAN W2



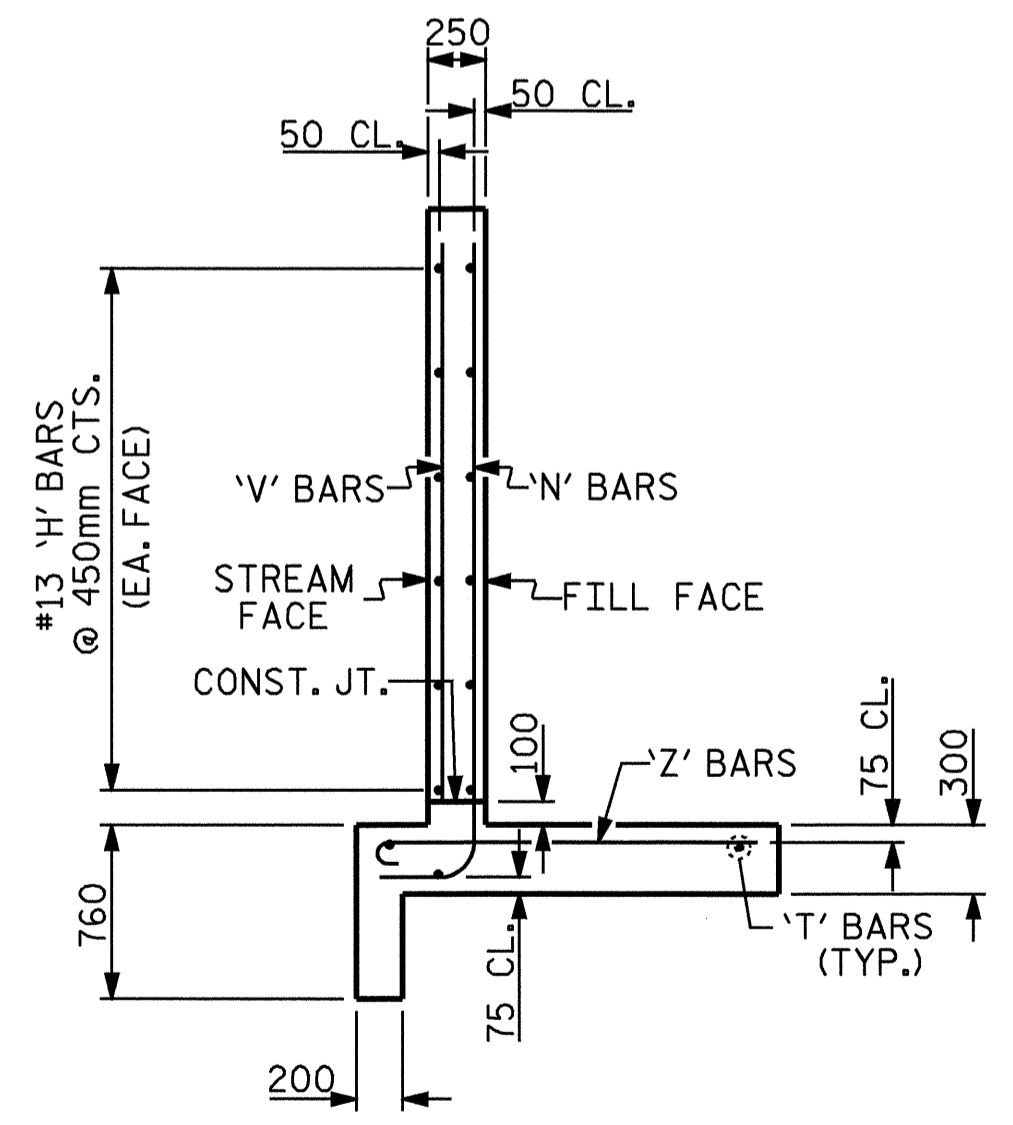
PLAN W1



ELEVATION W2



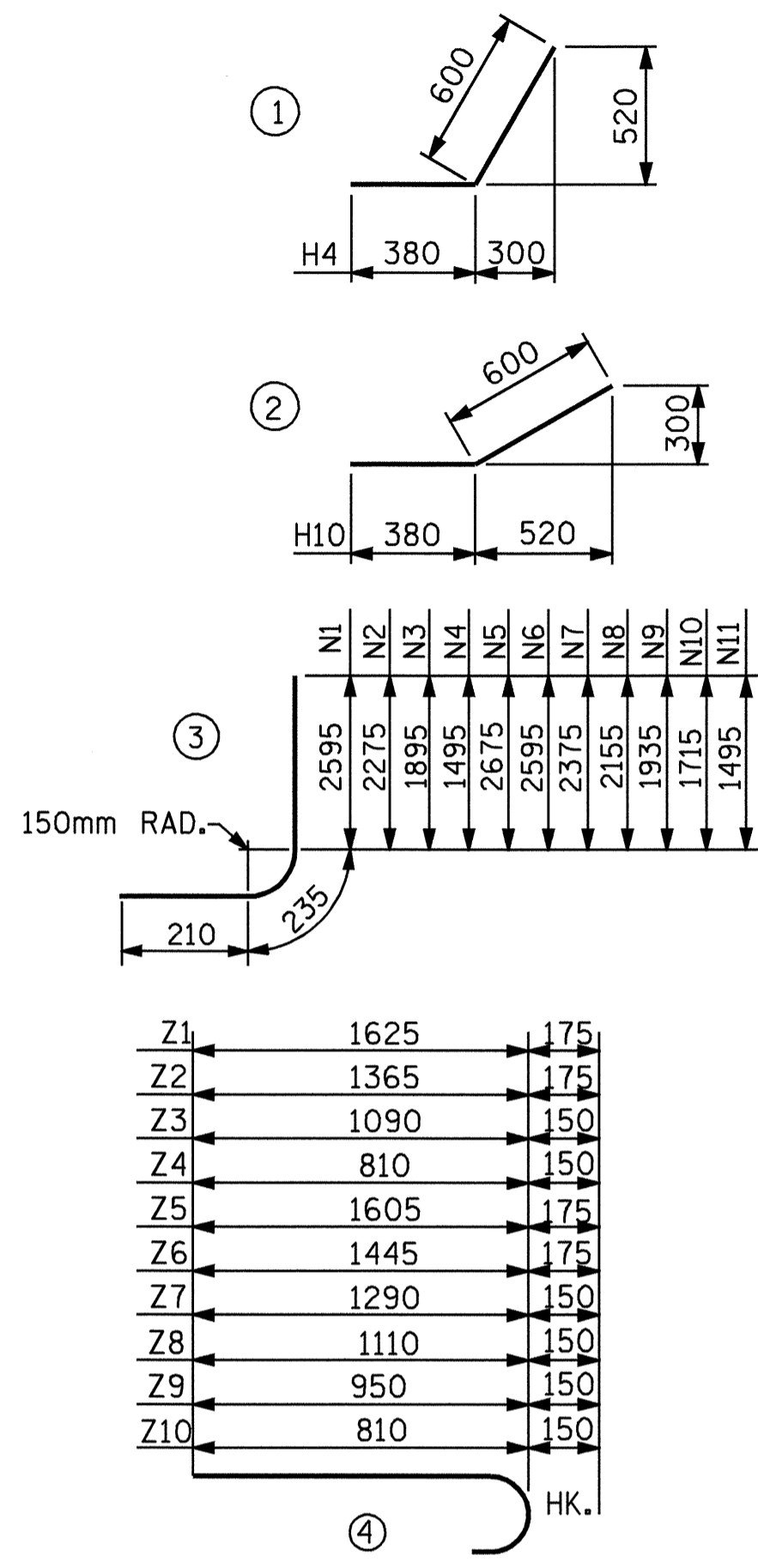
ELEVATION W1



TYPICAL WING SECTION

BAR TYPES

ALL BAR DIMENSIONS ARE OUT TO OUT.



BILL OF MATERIAL

BAR NO.	SIZE	TYPE	LENGTH	WEIGHT
H1	12	13	2440	29
H2	4	13	2240	9
H3	4	13	1200	5
H4	24	13	980	23
H5	4	13	2640	10
H6	12	13	4740	57
H7	4	13	4460	18
H8	4	13	2600	10
H9	4	13	760	3
H10	24	13	980	23
H11	4	13	4860	19
N1	4	16	3040	19
N2	6	16	2720	25
N3	6	13	2340	14
N4	6	13	1940	12
N5	4	16	3120	19
N6	4	16	3040	19
N7	6	16	2820	26
N8	6	16	2600	24
N9	6	13	2380	14
N10	6	13	2160	13
N11	6	13	1940	12
S1	12	19	1800	48
T1	6	16	3000	28
T2	6	16	5300	49
V1	4	13	2420	10
V2	6	13	2100	13
V3	6	13	1720	10
V4	6	13	1320	8
V5	4	13	2500	10
V6	4	13	2420	10
V7	6	13	2200	13
V8	6	13	1980	12
V9	6	13	1760	10
V10	6	13	1540	9
V11	6	13	1320	8
Z1	4	16	1800	11
Z2	6	16	1540	14
Z3	6	13	1240	7
Z4	6	13	960	6
Z5	8	16	1780	22
Z6	6	16	1620	15
Z7	6	13	1440	9
Z8	6	13	1260	8
Z9	6	13	1100	7
Z10	6	13	960	6

REINFORCING STEEL FOR 4 WING WALLS	746	kg
CLASS A CONCRETE		
4 WINGS	17.5	m ³
2 HEADWALLS	0.7	m ³
2 END CURTAIN WALLS	0.7	m ³
TOTAL	18.9	m ³

PROJECT NO. R-2552B
JOHNSTON COUNTY
 STATION: 25+01.770-Y11-REV.

SHEET 3 OF 3
 STATE OF NORTH CAROLINA
 DEPARTMENT OF TRANSPORTATION
 RALEIGH
STANDARD WINGS FOR CONCRETE BOX CULVERT
 H=2.400m SLOPE=2:1
 61°-50'-00" SKEW

REVISIONS					SHEET NO.
NO.	BY:	DATE:	NO.	BY:	DATE:
1			3		
2			4		

TOTAL SHEETS 42

ASSEMBLED BY : J.B. WILSON DATE : 1/31/2005
 CHECKED BY : D.A. GLADDEN DATE : 2/8/2005
 DRAWN BY : JLR 6/97
 CHECKED BY : VAP 6/97

FOR WING ORIENTATION, SEE BARREL STANDARD SHEET.

