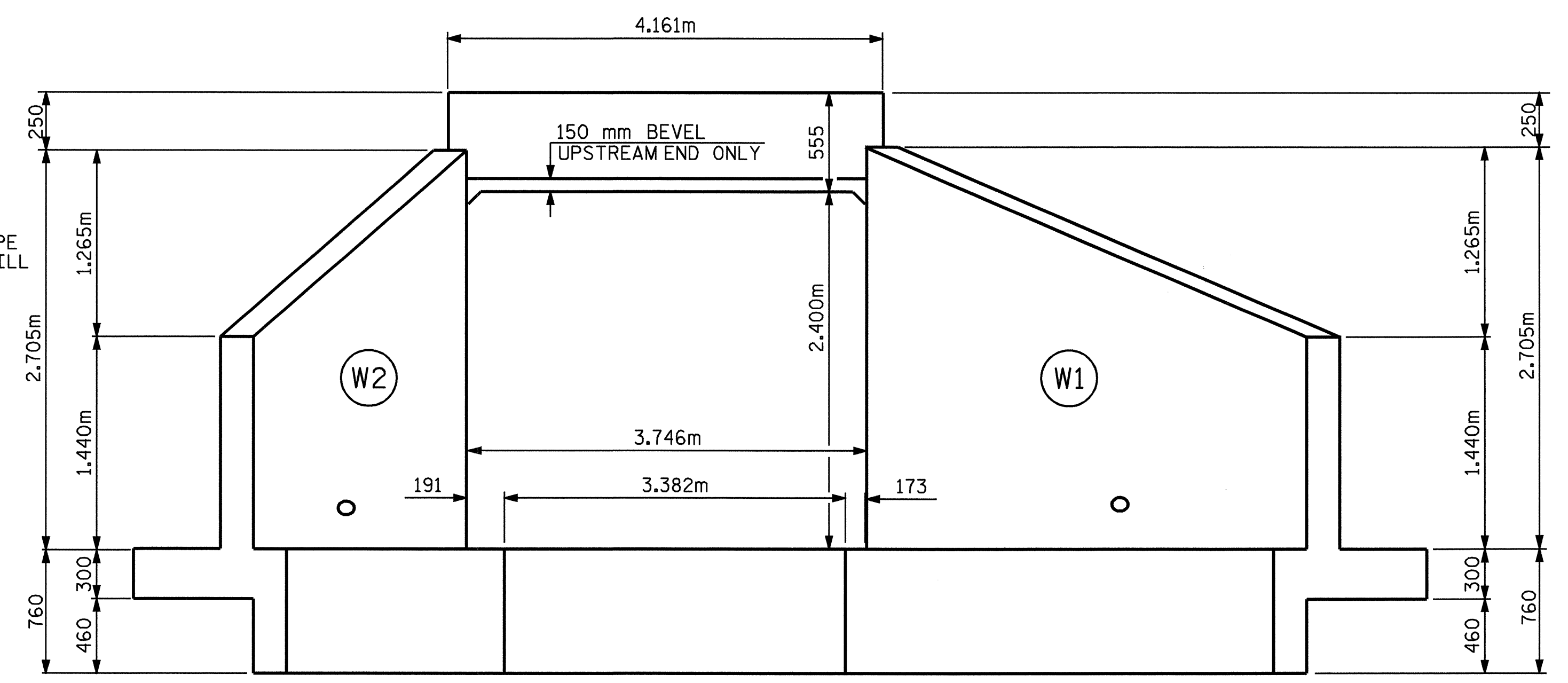
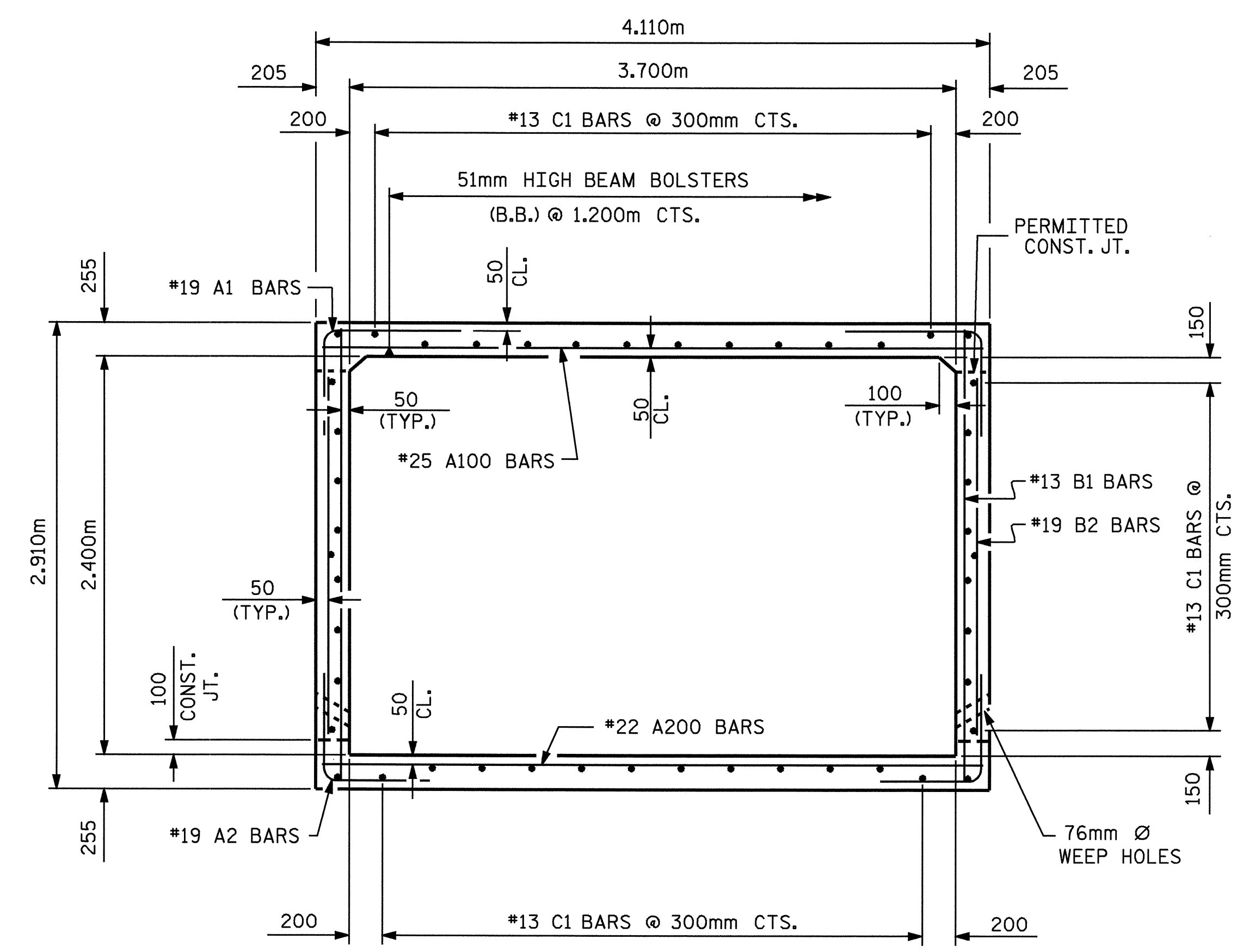


CULVERT SECTION NORMAL TO ROADWAY



END ELEVATION - NORMAL TO SKEW



RIGHT ANGLE SECTION OF BARREL  
THERE ARE 46 "C" BARS IN SECTION OF BARREL

PROJECT NO. R-2552C  
JOHNSTON COUNTY  
STATION: 134+31.000 -L2-

SHEET 2 OF 4

STATE OF NORTH CAROLINA  
DEPARTMENT OF TRANSPORTATION  
RALEIGH  
BARREL STANDARD  
SINGLE 3.700m X 2.400m  
CONCRETE BOX CULVERT  
81° SKEW



REVISIONS						SHEET NO.
NO.	BY:	DATE:	NO.	BY:	DATE:	C-23
1			3			TOTAL SHEETS
2			4			42

ASSEMBLED BY: T.L.CLELLAND DATE: 2/1/05  
CHECKED BY: T.A.HARRIS DATE: 2/9/05

02-MAR-2005 12:02  
W:\squad\vr\2552c\TCLLELL\2\MICROS\2\NR-2552C\VR-A7A62.DGN  
Tclelland