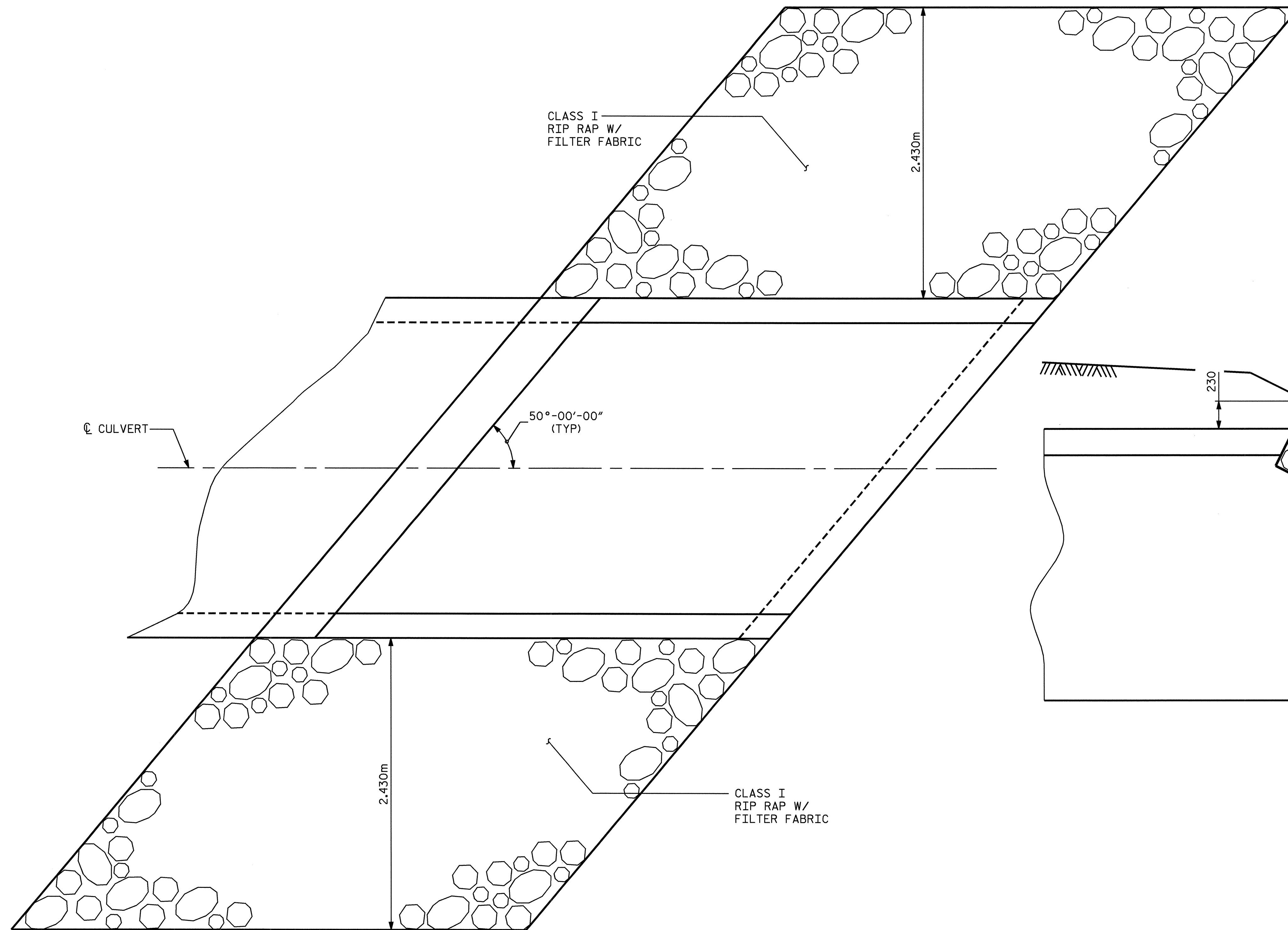
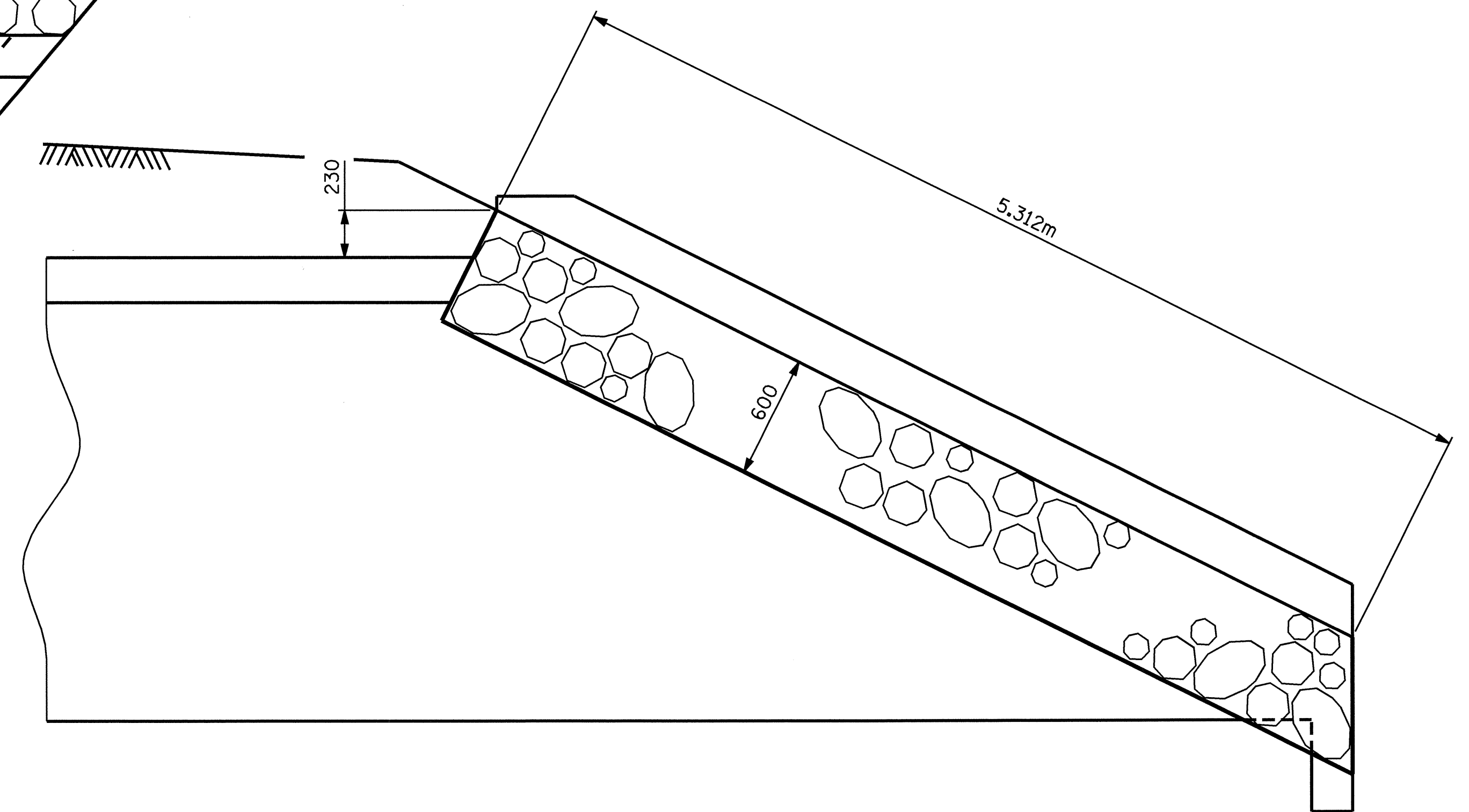


FOR CLASS I RIP RAP AND FILTER FABRIC QUANTITIES SEE ROADWAY PLANS.



PLAN VIEW



ELEVATION VIEW

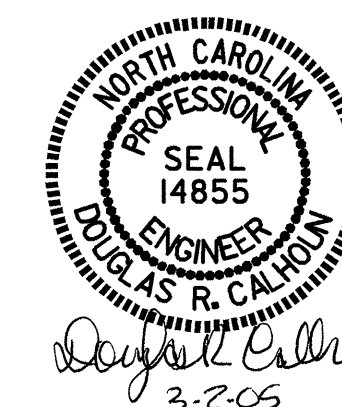
OUTLET WING RIP RAP DETAILS

PROJECT NO. R-2552C
JOHNSTON COUNTY
 STATION: 154+38.598 -L2-

SHEET 5 OF 5

STATE OF NORTH CAROLINA
 DEPARTMENT OF TRANSPORTATION
 RALEIGH

OUTLET WING
 RIP RAP DETAILS



REVISIONS						SHEET NO.
NO.	BY:	DATE:	NO.	BY:	DATE:	
1			3			C-30
2			4			TOTAL SHEETS 42

DRAWN BY : A. K. PATEL/TLC DATE : 12-18-03
 CHECKED BY : T. A. HARRIS DATE : 1-7-04

02-MAR-2005 12:05
 W:\squad\2552c\TCELL\N\MICROS\NR-2552C\NR-2552-2.DGN
 Toleiland

STR. #1120