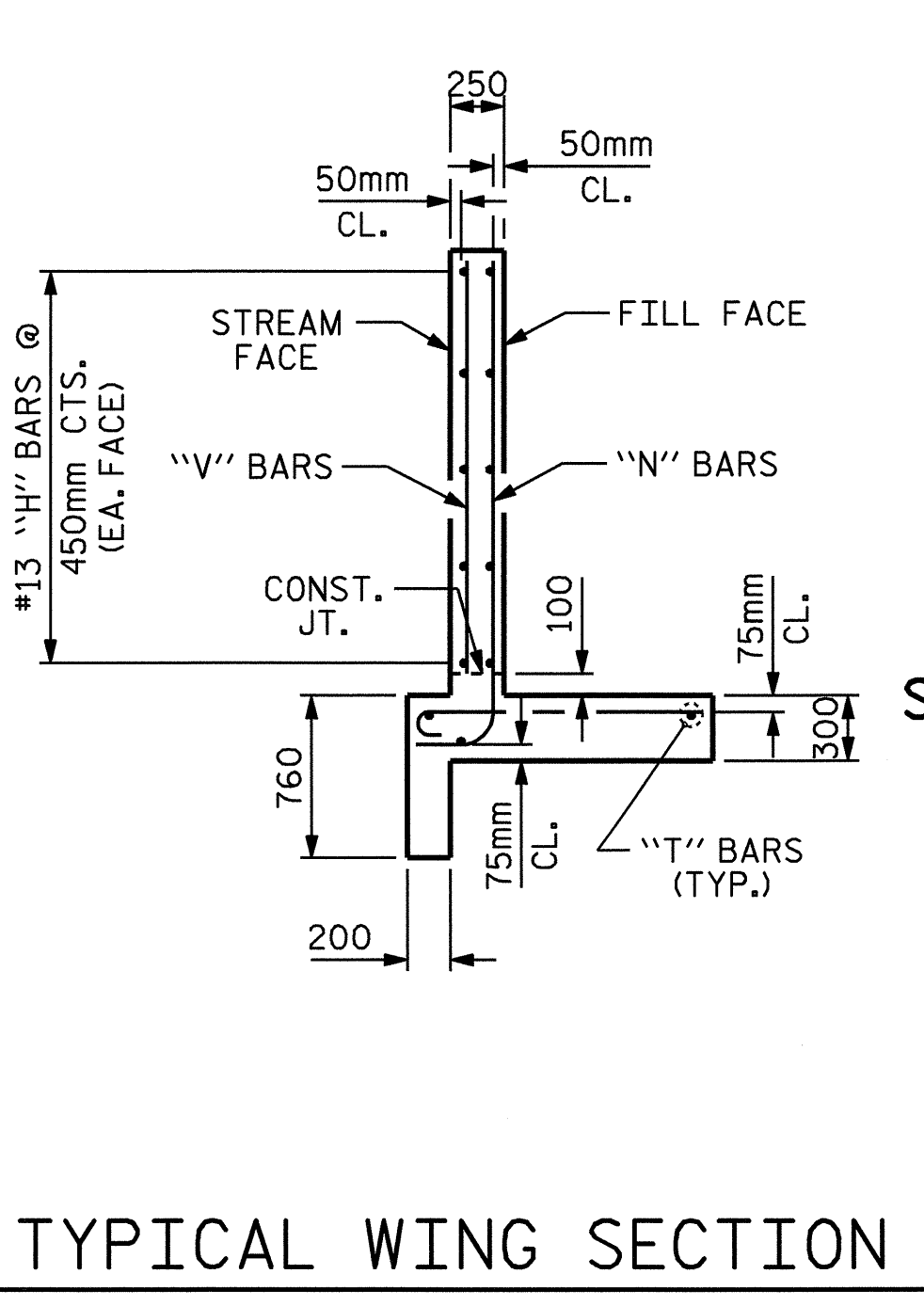
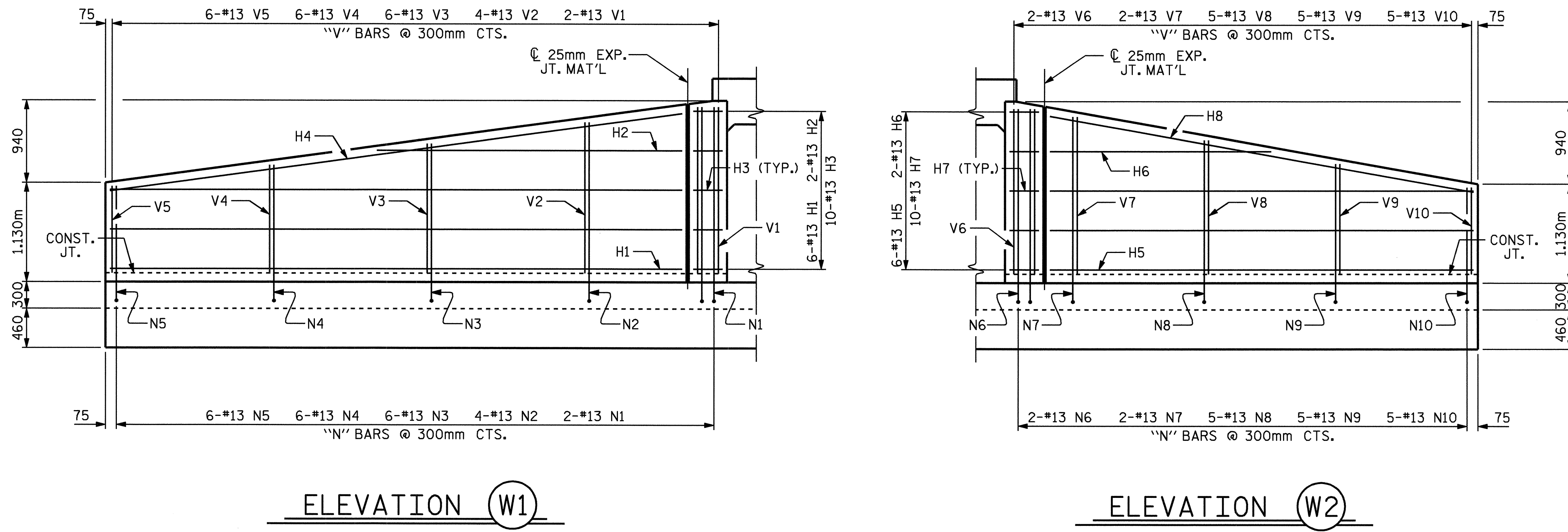


BAR TYPES				BILL OF MATERIAL																																																																																																																																																																																																																																																						
ALL BAR DIMENSIONS ARE OUT TO OUT.																																																																																																																																																																																																																																																										
<table border="1"> <tr><th>BAR NO.</th><th>SIZE</th><th>TYPE</th><th>LENGTH</th><th>WEIGHT</th></tr> <tr><td>H1</td><td>6</td><td>13</td><td>STR</td><td>6520</td><td>39</td></tr> <tr><td>H2</td><td>2</td><td>13</td><td>STR</td><td>3480</td><td>7</td></tr> <tr><td>H3</td><td>10</td><td>13</td><td>1</td><td>980</td><td>10</td></tr> <tr><td>H4</td><td>2</td><td>13</td><td>STR</td><td>6580</td><td>13</td></tr> <tr><td>H5</td><td>6</td><td>13</td><td>STR</td><td>4820</td><td>29</td></tr> <tr><td>H6</td><td>2</td><td>13</td><td>STR</td><td>2520</td><td>5</td></tr> <tr><td>H7</td><td>10</td><td>13</td><td>2</td><td>980</td><td>10</td></tr> <tr><td>H8</td><td>2</td><td>13</td><td>STR</td><td>4900</td><td>10</td></tr> <tr><td>N1</td><td>2</td><td>13</td><td>3</td><td>2500</td><td>5</td></tr> <tr><td>N2</td><td>4</td><td>13</td><td>3</td><td>2340</td><td>9</td></tr> <tr><td>N3</td><td>6</td><td>13</td><td>3</td><td>2080</td><td>12</td></tr> <tr><td>N4</td><td>6</td><td>13</td><td>3</td><td>1840</td><td>11</td></tr> <tr><td>N5</td><td>6</td><td>13</td><td>3</td><td>1600</td><td>10</td></tr> <tr><td>N6</td><td>2</td><td>13</td><td>3</td><td>2500</td><td>5</td></tr> <tr><td>N7</td><td>2</td><td>13</td><td>3</td><td>2400</td><td>5</td></tr> <tr><td>N8</td><td>5</td><td>13</td><td>3</td><td>2140</td><td>11</td></tr> <tr><td>N9</td><td>5</td><td>13</td><td>3</td><td>1880</td><td>9</td></tr> <tr><td>N10</td><td>5</td><td>13</td><td>3</td><td>1600</td><td>8</td></tr> <tr><td>S1</td><td>6</td><td>19</td><td>STR</td><td>1800</td><td>24</td></tr> <tr><td>T1</td><td>3</td><td>16</td><td>STR</td><td>7100</td><td>33</td></tr> <tr><td>T2</td><td>3</td><td>16</td><td>STR</td><td>5400</td><td>25</td></tr> <tr><td>V1</td><td>2</td><td>13</td><td>STR</td><td>1880</td><td>4</td></tr> <tr><td>V2</td><td>4</td><td>13</td><td>STR</td><td>1720</td><td>7</td></tr> <tr><td>V3</td><td>6</td><td>13</td><td>STR</td><td>1460</td><td>9</td></tr> <tr><td>V4</td><td>6</td><td>13</td><td>STR</td><td>1220</td><td>7</td></tr> <tr><td>V5</td><td>6</td><td>13</td><td>STR</td><td>980</td><td>6</td></tr> <tr><td>V6</td><td>2</td><td>13</td><td>STR</td><td>1880</td><td>4</td></tr> <tr><td>V7</td><td>2</td><td>13</td><td>STR</td><td>1780</td><td>4</td></tr> <tr><td>V8</td><td>5</td><td>13</td><td>STR</td><td>1520</td><td>8</td></tr> <tr><td>V9</td><td>5</td><td>13</td><td>STR</td><td>1260</td><td>6</td></tr> <tr><td>V10</td><td>5</td><td>13</td><td>STR</td><td>980</td><td>5</td></tr> <tr><td>Z1</td><td>6</td><td>13</td><td>4</td><td>1380</td><td>8</td></tr> <tr><td>Z2</td><td>6</td><td>13</td><td>4</td><td>1220</td><td>7</td></tr> <tr><td>Z3</td><td>6</td><td>13</td><td>4</td><td>1040</td><td>6</td></tr> <tr><td>Z4</td><td>6</td><td>13</td><td>4</td><td>880</td><td>5</td></tr> <tr><td>Z5</td><td>2</td><td>13</td><td>4</td><td>1480</td><td>3</td></tr> <tr><td>Z6</td><td>4</td><td>13</td><td>4</td><td>1340</td><td>5</td></tr> <tr><td>Z7</td><td>4</td><td>13</td><td>4</td><td>1180</td><td>5</td></tr> <tr><td>Z8</td><td>4</td><td>13</td><td>4</td><td>1040</td><td>4</td></tr> <tr><td>Z9</td><td>4</td><td>13</td><td>4</td><td>880</td><td>3</td></tr> </table>						BAR NO.	SIZE	TYPE	LENGTH	WEIGHT	H1	6	13	STR	6520	39	H2	2	13	STR	3480	7	H3	10	13	1	980	10	H4	2	13	STR	6580	13	H5	6	13	STR	4820	29	H6	2	13	STR	2520	5	H7	10	13	2	980	10	H8	2	13	STR	4900	10	N1	2	13	3	2500	5	N2	4	13	3	2340	9	N3	6	13	3	2080	12	N4	6	13	3	1840	11	N5	6	13	3	1600	10	N6	2	13	3	2500	5	N7	2	13	3	2400	5	N8	5	13	3	2140	11	N9	5	13	3	1880	9	N10	5	13	3	1600	8	S1	6	19	STR	1800	24	T1	3	16	STR	7100	33	T2	3	16	STR	5400	25	V1	2	13	STR	1880	4	V2	4	13	STR	1720	7	V3	6	13	STR	1460	9	V4	6	13	STR	1220	7	V5	6	13	STR	980	6	V6	2	13	STR	1880	4	V7	2	13	STR	1780	4	V8	5	13	STR	1520	8	V9	5	13	STR	1260	6	V10	5	13	STR	980	5	Z1	6	13	4	1380	8	Z2	6	13	4	1220	7	Z3	6	13	4	1040	6	Z4	6	13	4	880	5	Z5	2	13	4	1480	3	Z6	4	13	4	1340	5	Z7	4	13	4	1180	5	Z8	4	13	4	1040	4	Z9	4	13	4	880	3
BAR NO.	SIZE	TYPE	LENGTH	WEIGHT																																																																																																																																																																																																																																																						
H1	6	13	STR	6520	39																																																																																																																																																																																																																																																					
H2	2	13	STR	3480	7																																																																																																																																																																																																																																																					
H3	10	13	1	980	10																																																																																																																																																																																																																																																					
H4	2	13	STR	6580	13																																																																																																																																																																																																																																																					
H5	6	13	STR	4820	29																																																																																																																																																																																																																																																					
H6	2	13	STR	2520	5																																																																																																																																																																																																																																																					
H7	10	13	2	980	10																																																																																																																																																																																																																																																					
H8	2	13	STR	4900	10																																																																																																																																																																																																																																																					
N1	2	13	3	2500	5																																																																																																																																																																																																																																																					
N2	4	13	3	2340	9																																																																																																																																																																																																																																																					
N3	6	13	3	2080	12																																																																																																																																																																																																																																																					
N4	6	13	3	1840	11																																																																																																																																																																																																																																																					
N5	6	13	3	1600	10																																																																																																																																																																																																																																																					
N6	2	13	3	2500	5																																																																																																																																																																																																																																																					
N7	2	13	3	2400	5																																																																																																																																																																																																																																																					
N8	5	13	3	2140	11																																																																																																																																																																																																																																																					
N9	5	13	3	1880	9																																																																																																																																																																																																																																																					
N10	5	13	3	1600	8																																																																																																																																																																																																																																																					
S1	6	19	STR	1800	24																																																																																																																																																																																																																																																					
T1	3	16	STR	7100	33																																																																																																																																																																																																																																																					
T2	3	16	STR	5400	25																																																																																																																																																																																																																																																					
V1	2	13	STR	1880	4																																																																																																																																																																																																																																																					
V2	4	13	STR	1720	7																																																																																																																																																																																																																																																					
V3	6	13	STR	1460	9																																																																																																																																																																																																																																																					
V4	6	13	STR	1220	7																																																																																																																																																																																																																																																					
V5	6	13	STR	980	6																																																																																																																																																																																																																																																					
V6	2	13	STR	1880	4																																																																																																																																																																																																																																																					
V7	2	13	STR	1780	4																																																																																																																																																																																																																																																					
V8	5	13	STR	1520	8																																																																																																																																																																																																																																																					
V9	5	13	STR	1260	6																																																																																																																																																																																																																																																					
V10	5	13	STR	980	5																																																																																																																																																																																																																																																					
Z1	6	13	4	1380	8																																																																																																																																																																																																																																																					
Z2	6	13	4	1220	7																																																																																																																																																																																																																																																					
Z3	6	13	4	1040	6																																																																																																																																																																																																																																																					
Z4	6	13	4	880	5																																																																																																																																																																																																																																																					
Z5	2	13	4	1480	3																																																																																																																																																																																																																																																					
Z6	4	13	4	1340	5																																																																																																																																																																																																																																																					
Z7	4	13	4	1180	5																																																																																																																																																																																																																																																					
Z8	4	13	4	1040	4																																																																																																																																																																																																																																																					
Z9	4	13	4	880	3																																																																																																																																																																																																																																																					
<table border="1"> <tr><th>NO.</th><th>BY:</th><th>DATE:</th><th>NO.</th><th>BY:</th><th>DATE:</th><th>SHEET NO.</th></tr> <tr><td>1</td><td></td><td></td><td>3</td><td></td><td></td><td>C-40</td></tr> <tr><td>2</td><td></td><td></td><td>4</td><td></td><td></td><td>TOTAL SHEETS 42</td></tr> </table>						NO.	BY:	DATE:	NO.	BY:	DATE:	SHEET NO.	1			3			C-40	2			4			TOTAL SHEETS 42																																																																																																																																																																																																																																
NO.	BY:	DATE:	NO.	BY:	DATE:	SHEET NO.																																																																																																																																																																																																																																																				
1			3			C-40																																																																																																																																																																																																																																																				
2			4			TOTAL SHEETS 42																																																																																																																																																																																																																																																				
<table border="1"> <tr><th colspan="2">REINFORCING STEEL FOR 2 WINGS</th><td>396 kg</td></tr> <tr><th colspan="2">CLASS A CONCRETE</th><td></td></tr> <tr><td>2 WINGS</td><td>10.4 m<sup>3</sup></td><td></td></tr> <tr><td>2 HEADWALLS</td><td>0.8 m<sup>3</sup></td><td></td></tr> <tr><td>1 END CURTAIN WALL</td><td>0.4 m<sup>3</sup></td><td></td></tr> <tr><td><b>TOTAL</b></td><td><b>11.6 m<sup>3</sup></b></td><td></td></tr> </table>						REINFORCING STEEL FOR 2 WINGS		396 kg	CLASS A CONCRETE			2 WINGS	10.4 m <sup>3</sup>		2 HEADWALLS	0.8 m <sup>3</sup>		1 END CURTAIN WALL	0.4 m <sup>3</sup>		<b>TOTAL</b>	<b>11.6 m<sup>3</sup></b>																																																																																																																																																																																																																																				
REINFORCING STEEL FOR 2 WINGS		396 kg																																																																																																																																																																																																																																																								
CLASS A CONCRETE																																																																																																																																																																																																																																																										
2 WINGS	10.4 m <sup>3</sup>																																																																																																																																																																																																																																																									
2 HEADWALLS	0.8 m <sup>3</sup>																																																																																																																																																																																																																																																									
1 END CURTAIN WALL	0.4 m <sup>3</sup>																																																																																																																																																																																																																																																									
<b>TOTAL</b>	<b>11.6 m<sup>3</sup></b>																																																																																																																																																																																																																																																									



PROJECT NO. R-2552C  
JOHNSTON COUNTY  
 STATION: 7+93.000 -RAMP C-

SHEET 4 OF 6

STATE OF NORTH CAROLINA  
 DEPARTMENT OF TRANSPORTATION  
 RALEIGH

INLET WINGS FOR  
 CONCRETE BOX CULVERT  
 H=1.800m. SLOPE 4:1  
 105° SKEW

DRAWN BY: T.L.CLELLAND DATE: 10/18/04  
 CHECKED BY: T.A.HARRIS DATE: 11/15/04