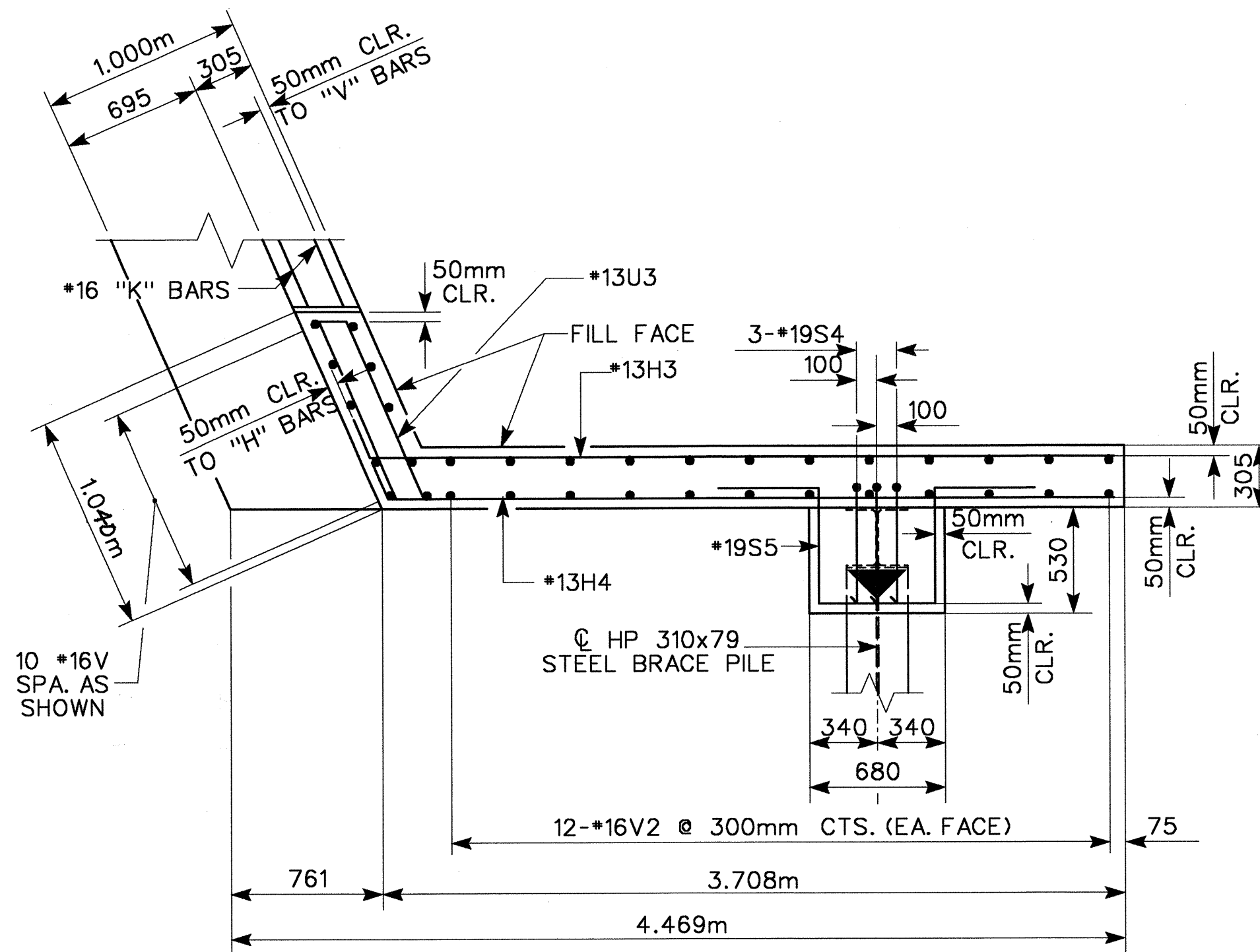


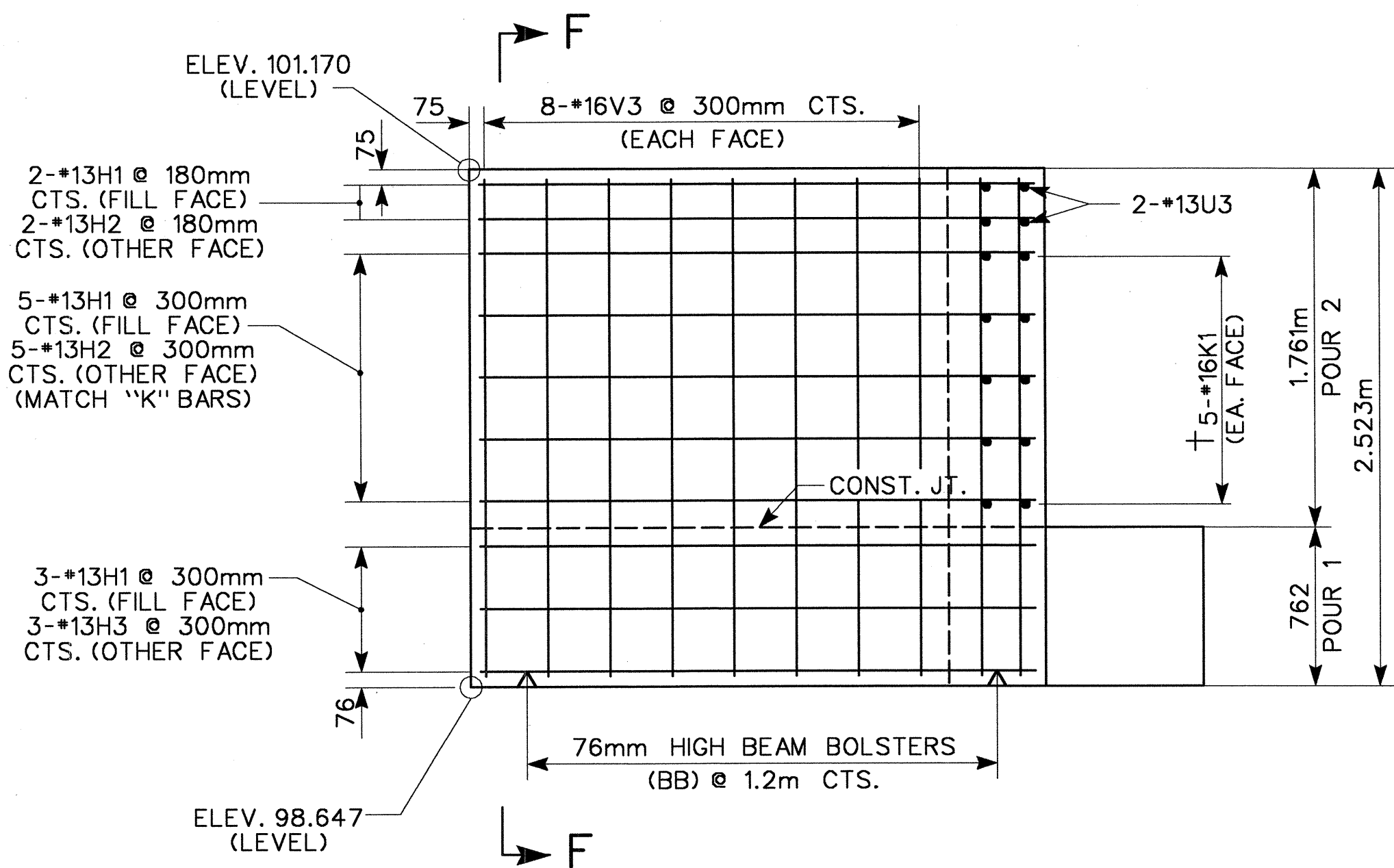
PLAN OF LEFT WING (W1)



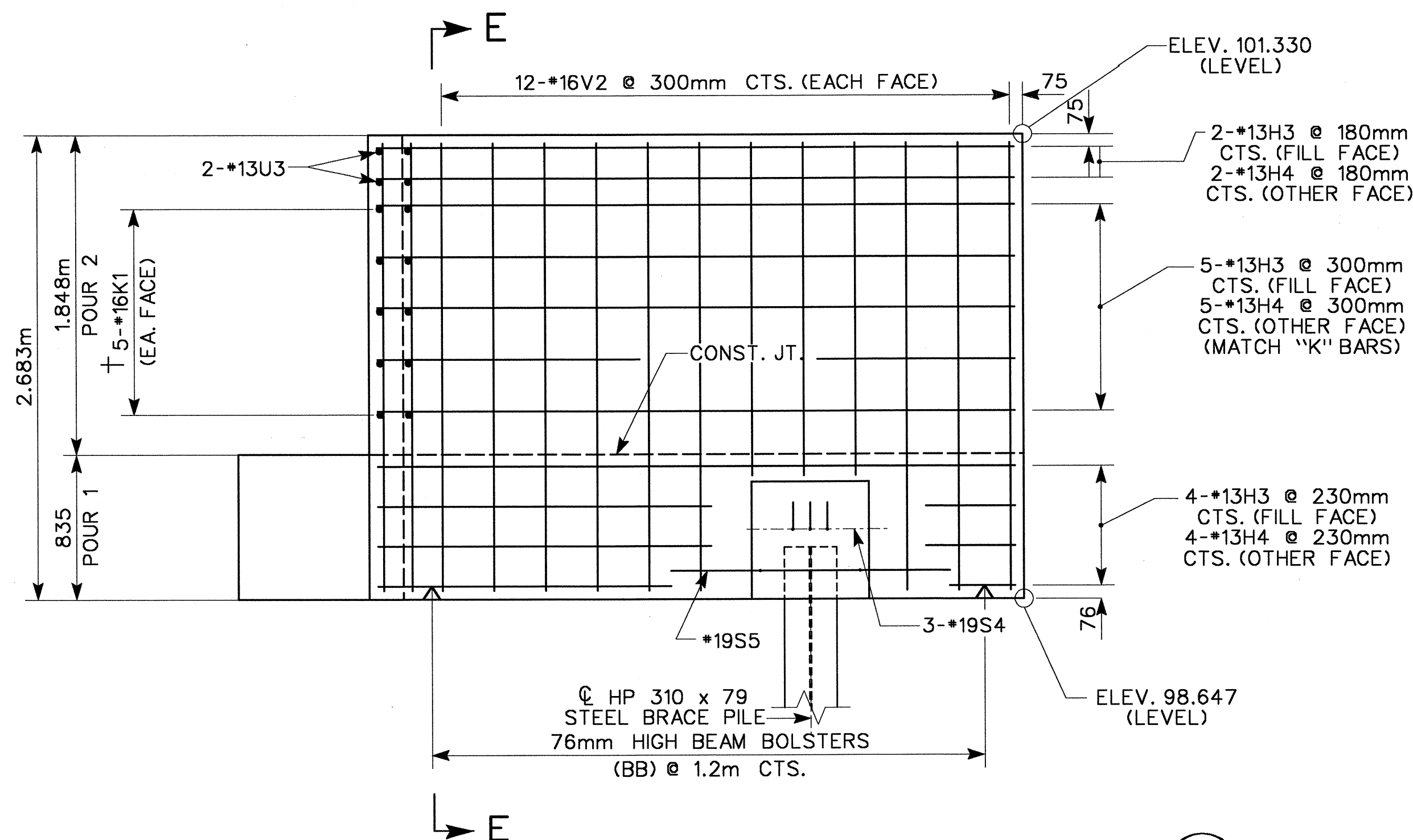
PLAN OF RIGHT WING (W2)

NOTE:

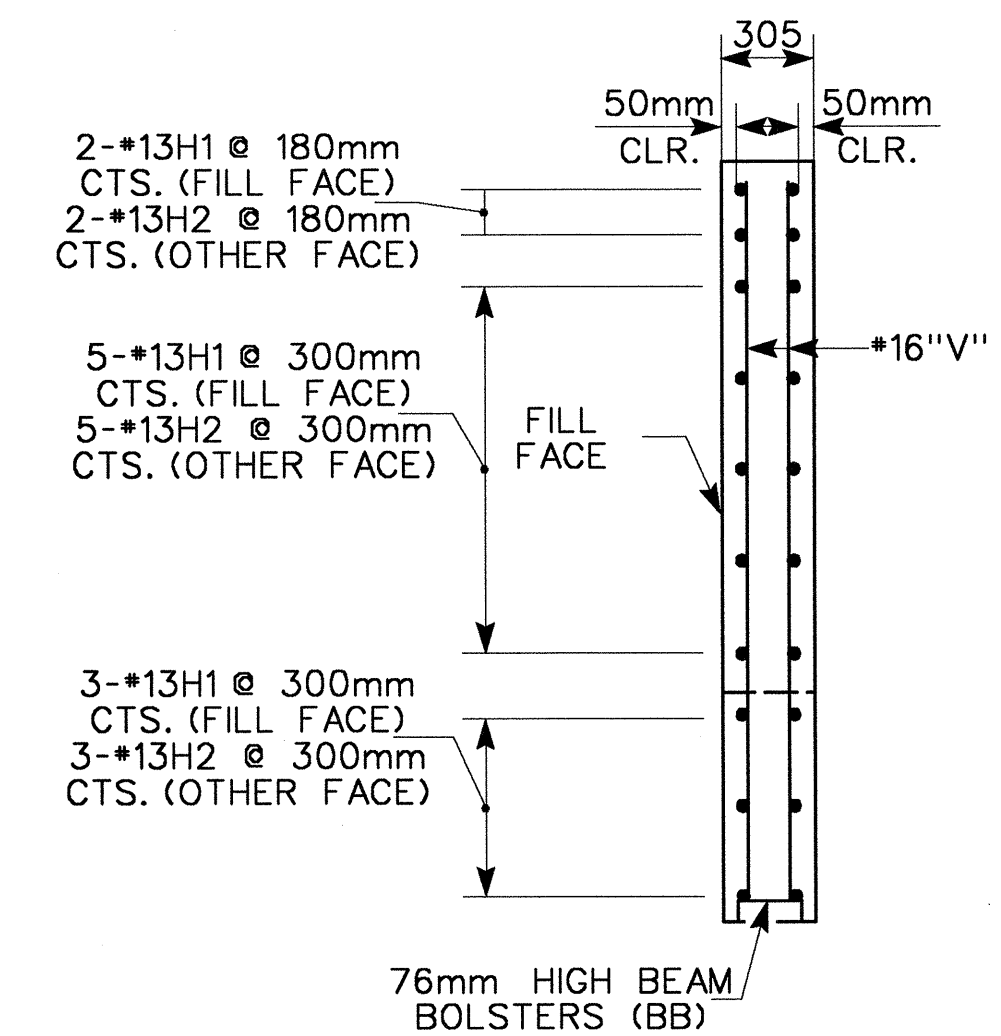
THE CONTRACTOR SHALL PROVIDE FOR INSTALLATION OF THE 102mm Ø DRAIN PIPE THROUGH THE WING WALL AS REQUIRED FOR REINFORCED BRIDGE APPROACH FILLS, SEE THE ROADWAY PLANS. REINFORCING STEEL IN THE WING WALL MAY BE SHIFTED AS NECESSARY TO CLEAR THE DRAIN PIPE.



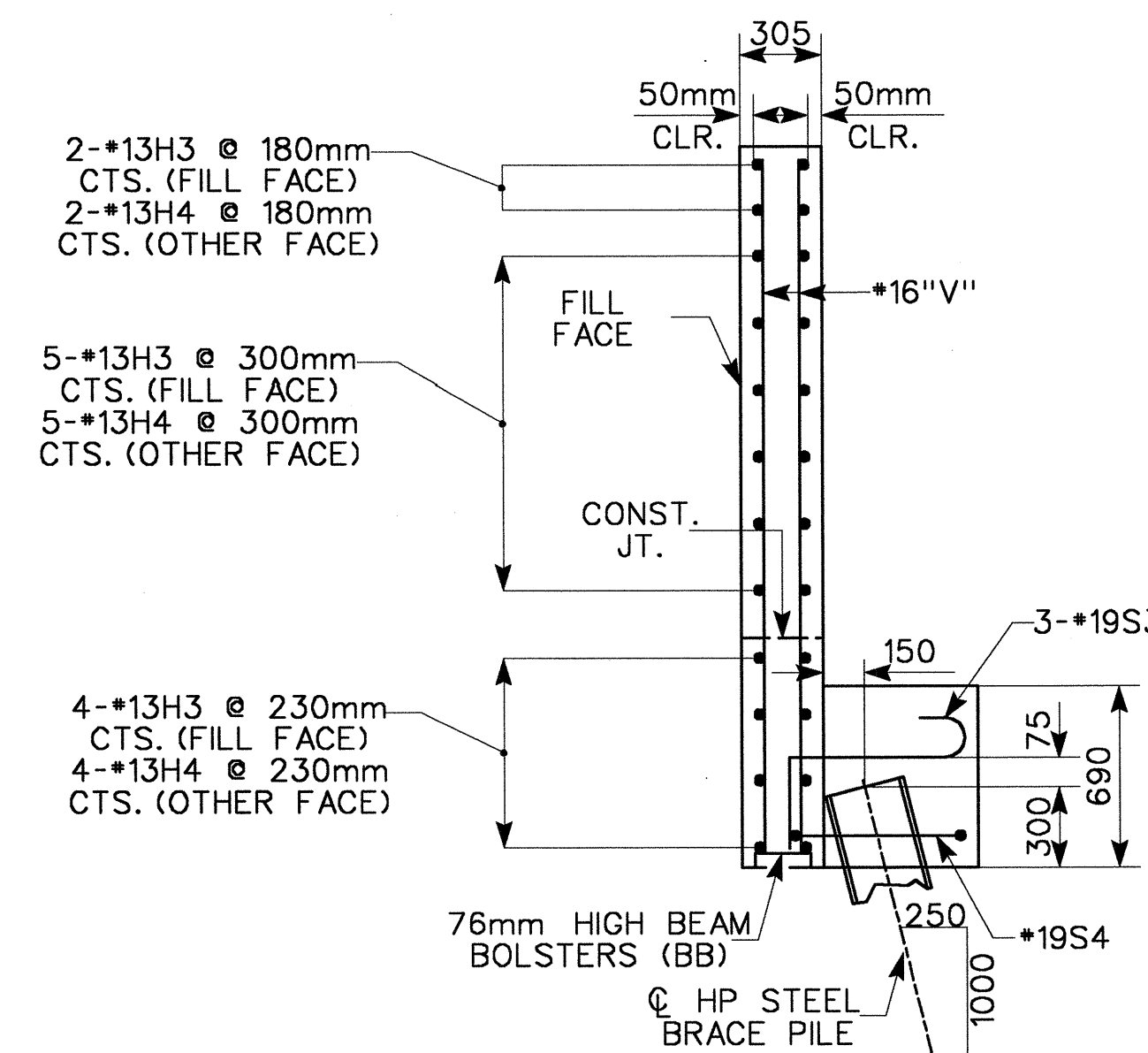
ELEVATION OF LEFT WING (W1)



ELEVATION OF RIGHT WING (W2)



SECTION F-F



SECTION E-E

PROJECT NO. R-2552B

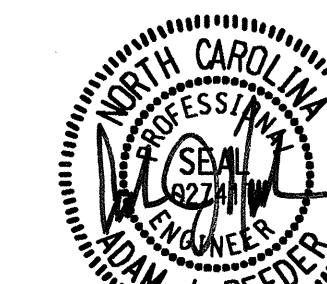
JOHNSTON COUNTY

STATION: 65+51.880 -L-
14+25.318 -Y7-

SHEET 2 of 3

STATE OF NORTH CAROLINA
DEPARTMENT OF TRANSPORTATION
RALEIGH

END BENT #2
SUBSTRUCTURE



1-13-04

REVISIONS				SHEET NO.
NO.	BY:	DATE:	NO.	DATE:
1			3	
2			4	

5-23
TOTAL SHEETS
431



1616 E. MILLBROOK RD., SUITE 310
RALEIGH, NORTH CAROLINA 27609
PHONE (919) 876-6888
FAX (919) 876-6848

DRAWN BY: SD DATE: 7/03
CHECKED BY: JL DATE: 9/03

† MATCH "H" BARS TO "K" BARS AS SHOWN