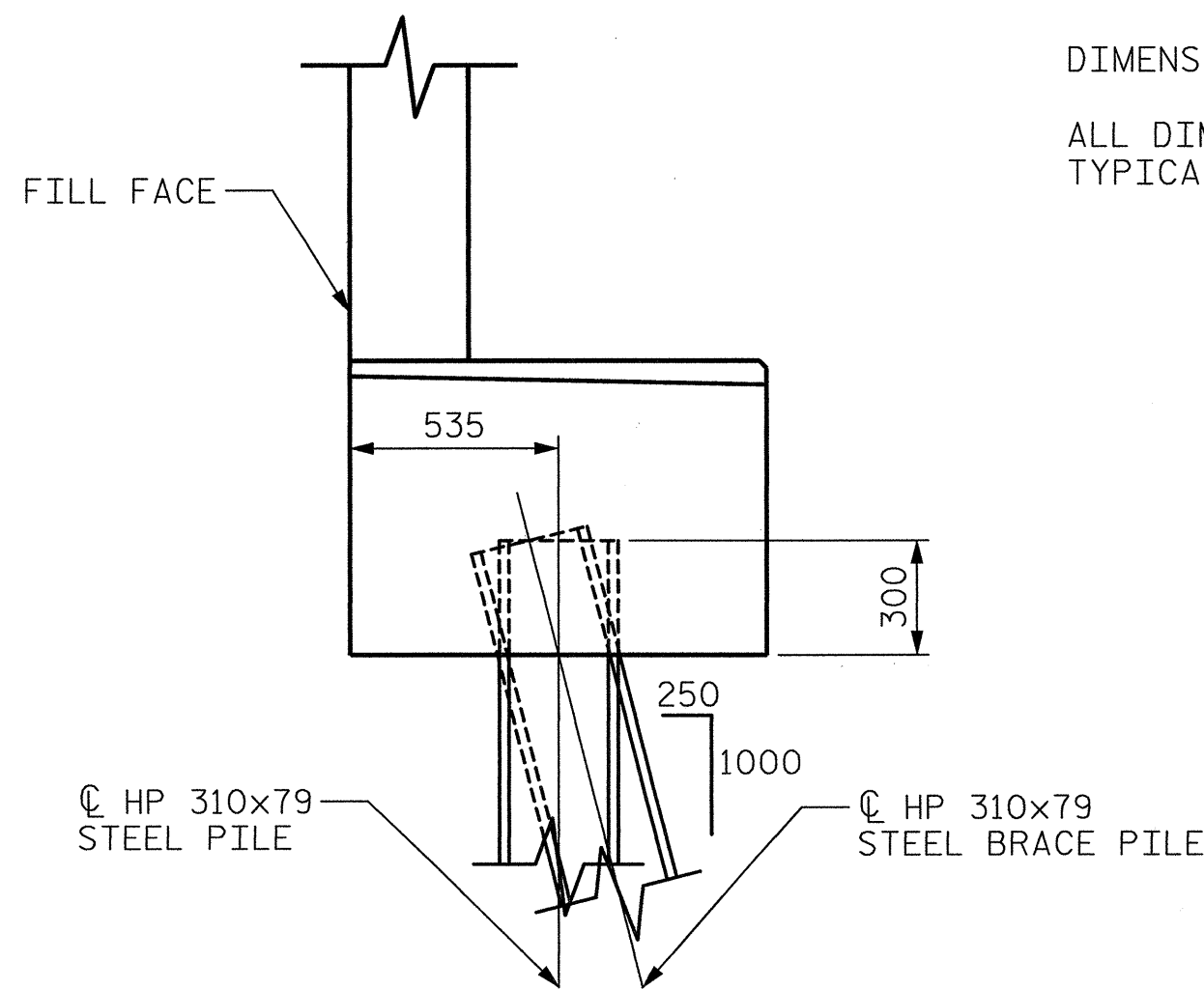
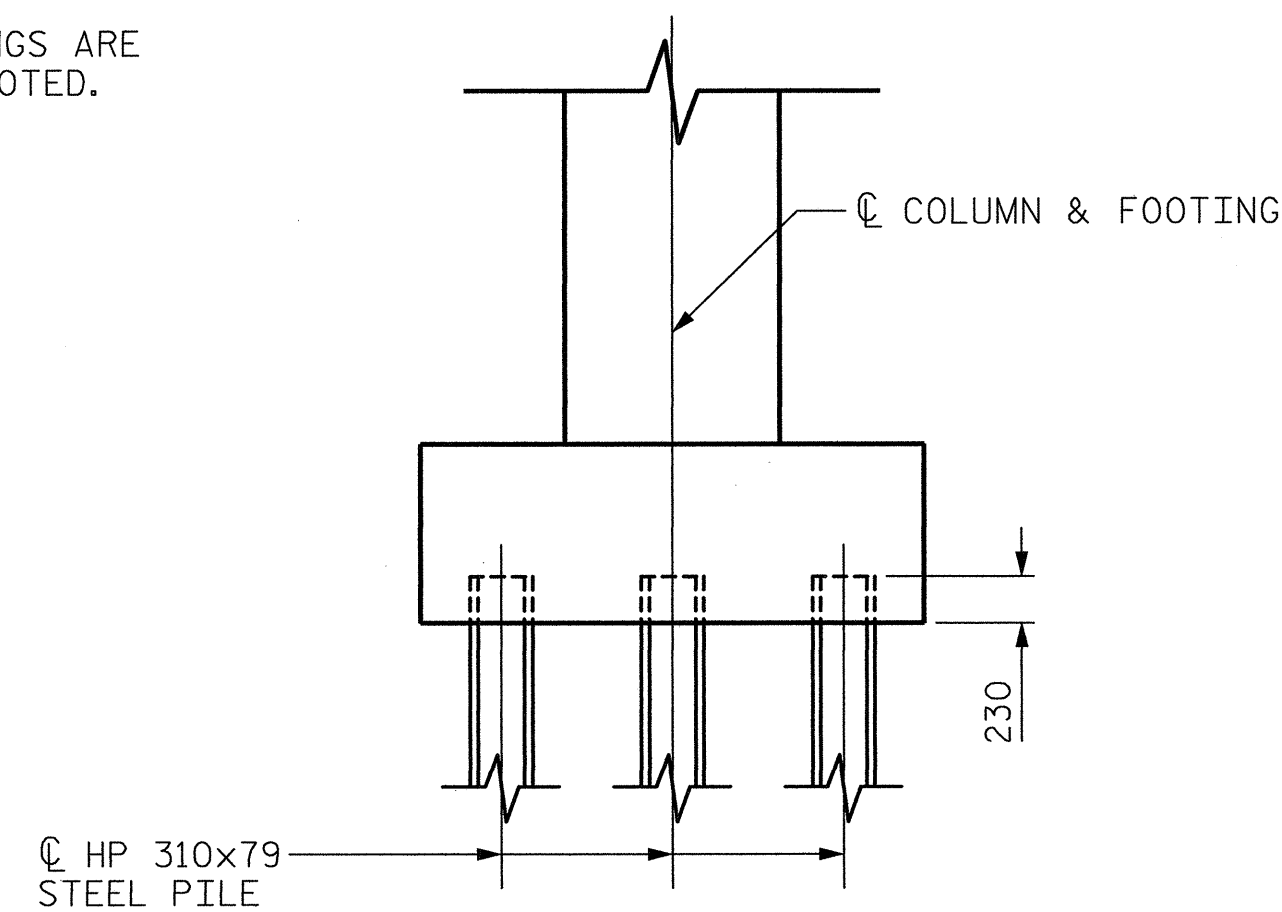


### FOUNDATION LAYOUT

DIMENSIONS LOCATING PILES ARE TO PILE CENTERLINES.  
 ALL DIMENSIONS AND DETAILS SHOWN FOR FOOTINGS ARE TYPICAL FOR EACH FOOTING UNLESS OTHERWISE NOTED.



SECTION A-A



SECTION B-B  
(TYP. EACH FOOTING)

PROJECT NO. **R-2552B**  
**JOHNSTON** COUNTY  
 STATION: **97+59.319-L-LT POC**  
**18+74.680-Y11-REV POT**

SHEET 2 OF 4



**CTE ENGINEERS**  
 CONSOER TOWNSEND ENVIRONMENTAL ENGINEERS, INC.  
 13325 SOUTH POINT BOULEVARD, SUITE 400  
 CHARLOTTE, NORTH CAROLINA 28273-5820  
 (704) 583-0902

STATE OF NORTH CAROLINA  
 DEPARTMENT OF TRANSPORTATION  
 RALEIGH  
**GENERAL DRAWING**  
**BRIDGE ON US70 -L-LT**  
**CLAYTON BYPASS OVER**  
**SR 1560 BETWEEN GARNER**  
**AND SMITHFIELD**

REVISIONS				SHEET NO.
NO.	BY:	DATE:	NO.	DATE:
1			3	
2			4	

TOTAL SHEETS: 431

DRAWN BY : MSB DATE : 05/01/02  
 CHECKED BY : JDF DATE : 05/01/02