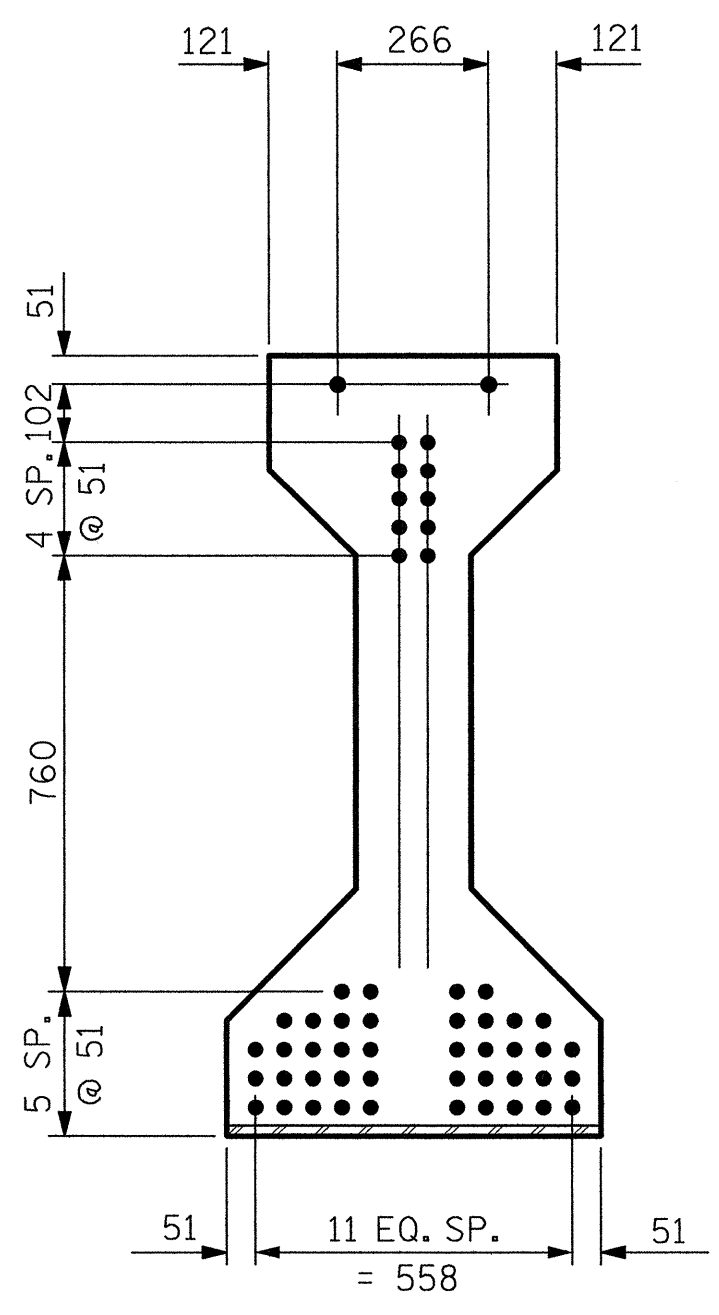
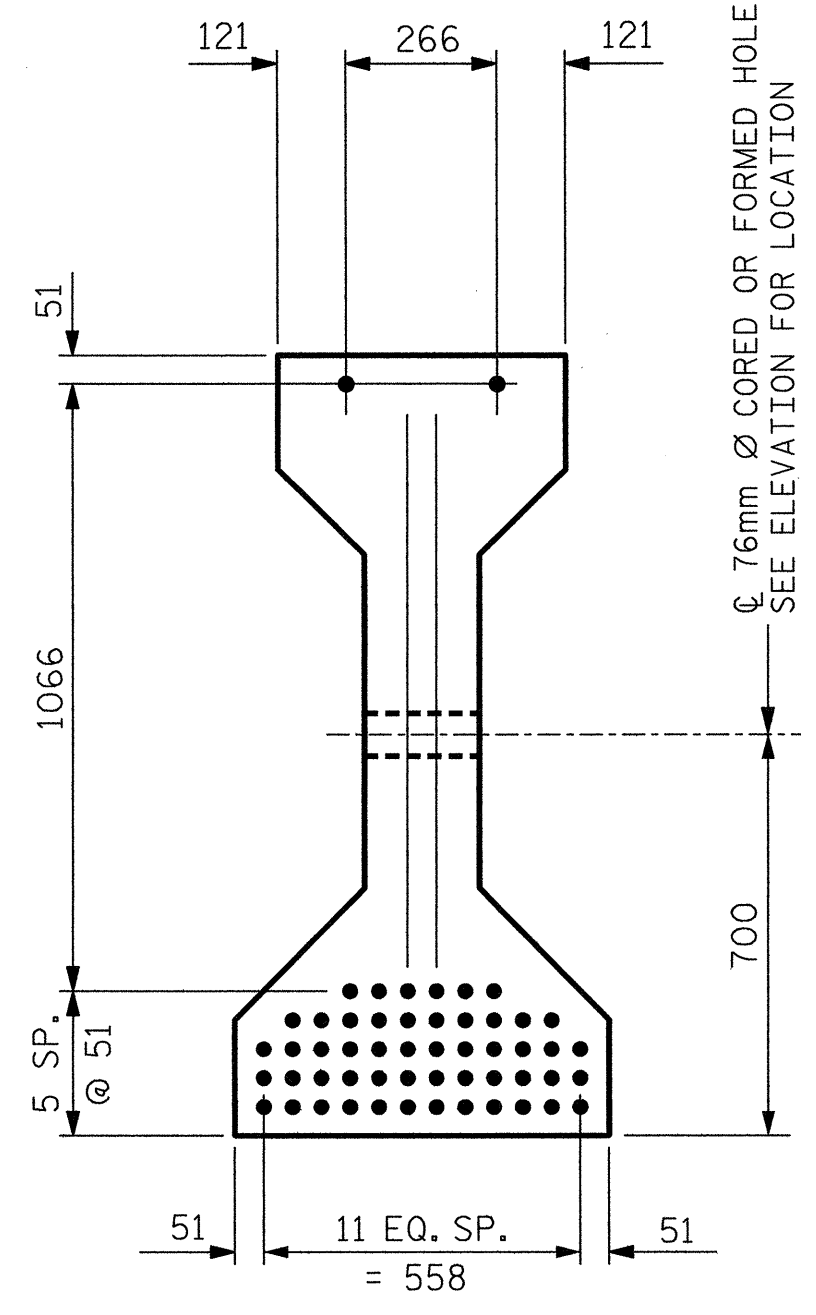


SECTION A-A

\* FOR S7 BARS, SEE  
DETAIL 'A' OF  
PRESTRESSED  
CONCRETE GIRDER  
CONTINUOUS FOR LIVE  
LOAD DETAILS SHEET



AT END OF GIRDER



AT C OF GIRDER

12.70mm Ø LOW RELAXATION STRAND LAYOUT

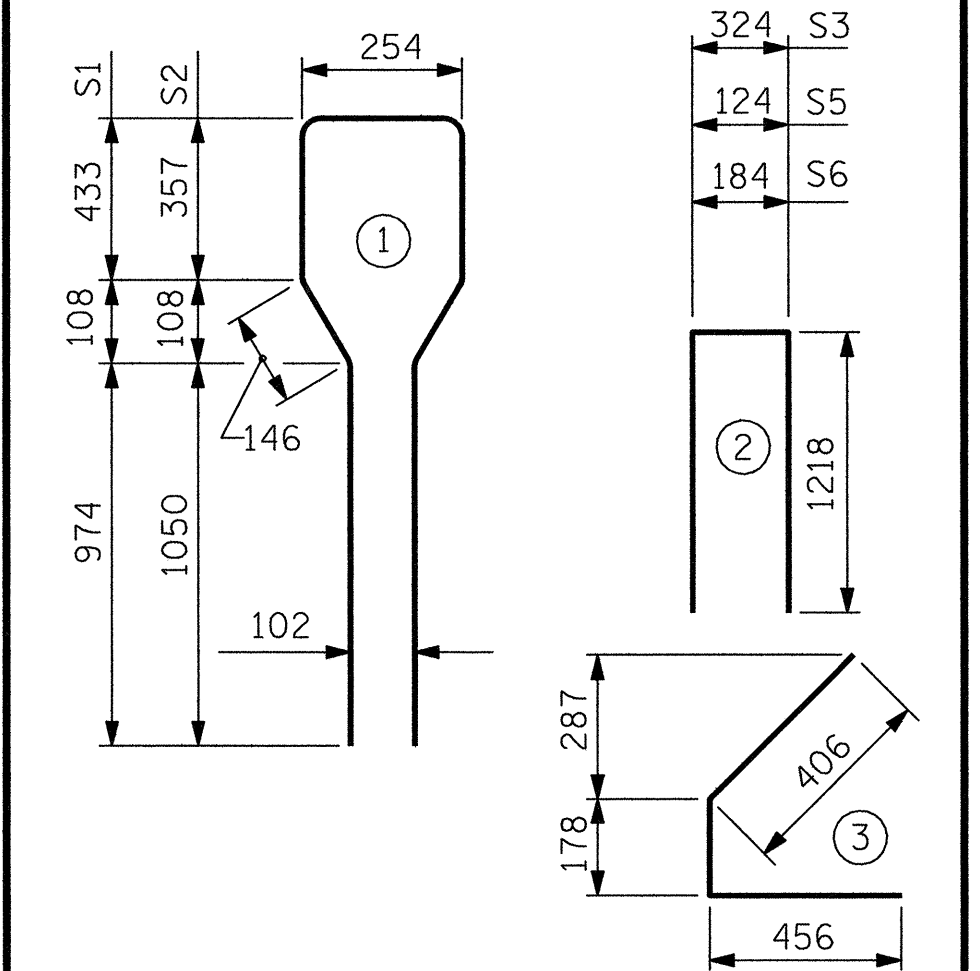
12.7mm Ø L.R. GRADE 270 STRANDS		
AREA (mm <sup>2</sup> )	ULTIMATE STRENGTH (kN PER STRAND)	APPLIED PRESTRESS (kN PER STRAND)
98.71	183.7	137.8

REINFORCING STEEL - ONE GIRDER					
BAR	NUMBER	SIZE	TYPE	LENGTH	WEIGHT
S1	108	#13	1	3360	361
S2	12	#19	1	3360	90
S3	4	#13	2	2760	11
S4	64	#13	3	1040	66
S5	6	#13	2	2560	15
S6	4	#13	2	2620	10
* S7	12	#16	STR	1120	21
S8	2	#10	STR	560	1

\* NOTE: S7 BARS SHALL BE BENT BEFORE SHIPMENT, HEAT BENDING SHALL NOT BE ALLOWED

BAR TYPES

ALL BAR DIMENSIONS ARE OUT-TO-OUT



QUANTITIES - ONE GIRDER

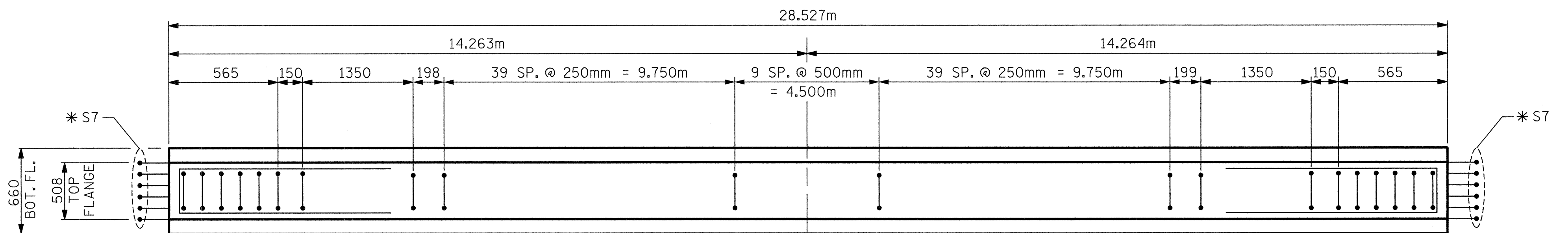
REINFORCING STEEL	55.1 MPa CONCRETE	12.70mm Ø L.R. STRANDS
kg	m <sup>3</sup>	No.
575	14.52	54

GIRDERS REQUIRED

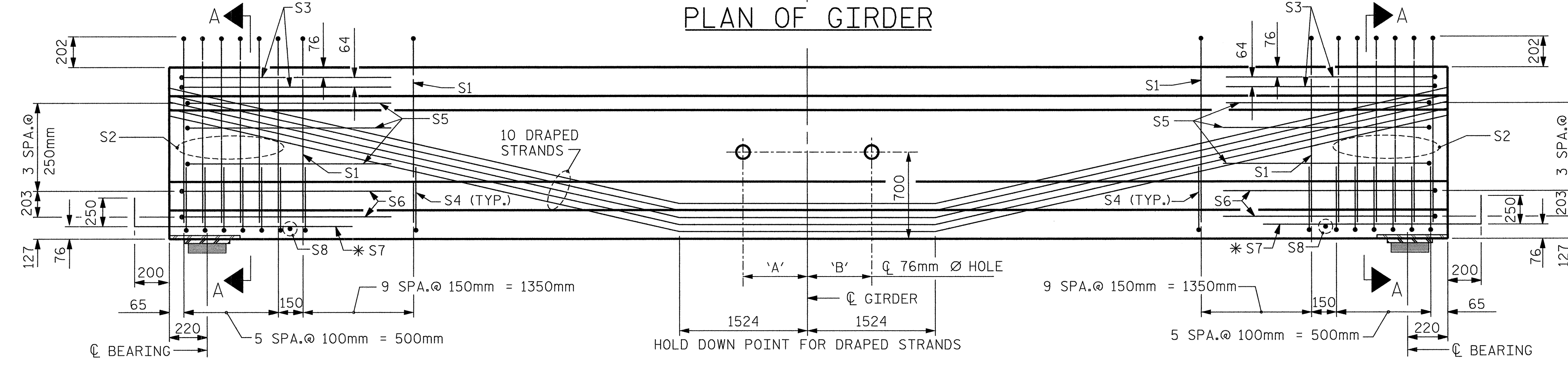
NUMBER	LENGTH	TOTAL LENGTH
4	28.527 m	114.108m

PROJECT NO. **R-2552B**  
**JOHNSTON** COUNTY  
 STATION: **97+59.319-L-LT POC**

SHEET 2 OF 4



PLAN OF GIRDER



ELEVATION OF GIRDER

Ø 76mm Ø HOLE DIMENSIONS		
GIRDER	'A'	'B'
B1	962	-
B2	962	962
B3	962	962
B4	-	962

ASSEMBLED BY : JDF DATE : 05/01/02  
 CHECKED BY : MSB DATE : 05/01/02  
 DRAWN BY : ELR 8/91 REV. 5/16/97 EEM/RGW  
 CHECKED BY : GRP 8/91 REV. 7/17/98 RWW/LES  
 REV. 10/17/00 RWW/LES

**CTE ENGINEERS**  
 CONSOER TOWNSEND ENVIRONMENTAL ENGINEERS, INC.  
 13325 SOUTH POINT BOULEVARD, SUITE 400  
 CHARLOTTE, NORTH CAROLINA 28273-5820  
 (704) 583-0802

STATE OF NORTH CAROLINA  
 DEPARTMENT OF TRANSPORTATION  
 RALEIGH  
**STANDARD**  
**AASHTO TYPE IV PRESTRESSED CONCRETE GIRDER CONTINUOUS FOR LIVE LOAD**  
**SPAN B**

REVISIONS				SHEET NO.
NO.	BY:	DATE:	NO.	DATE:
1			3	
2			4	