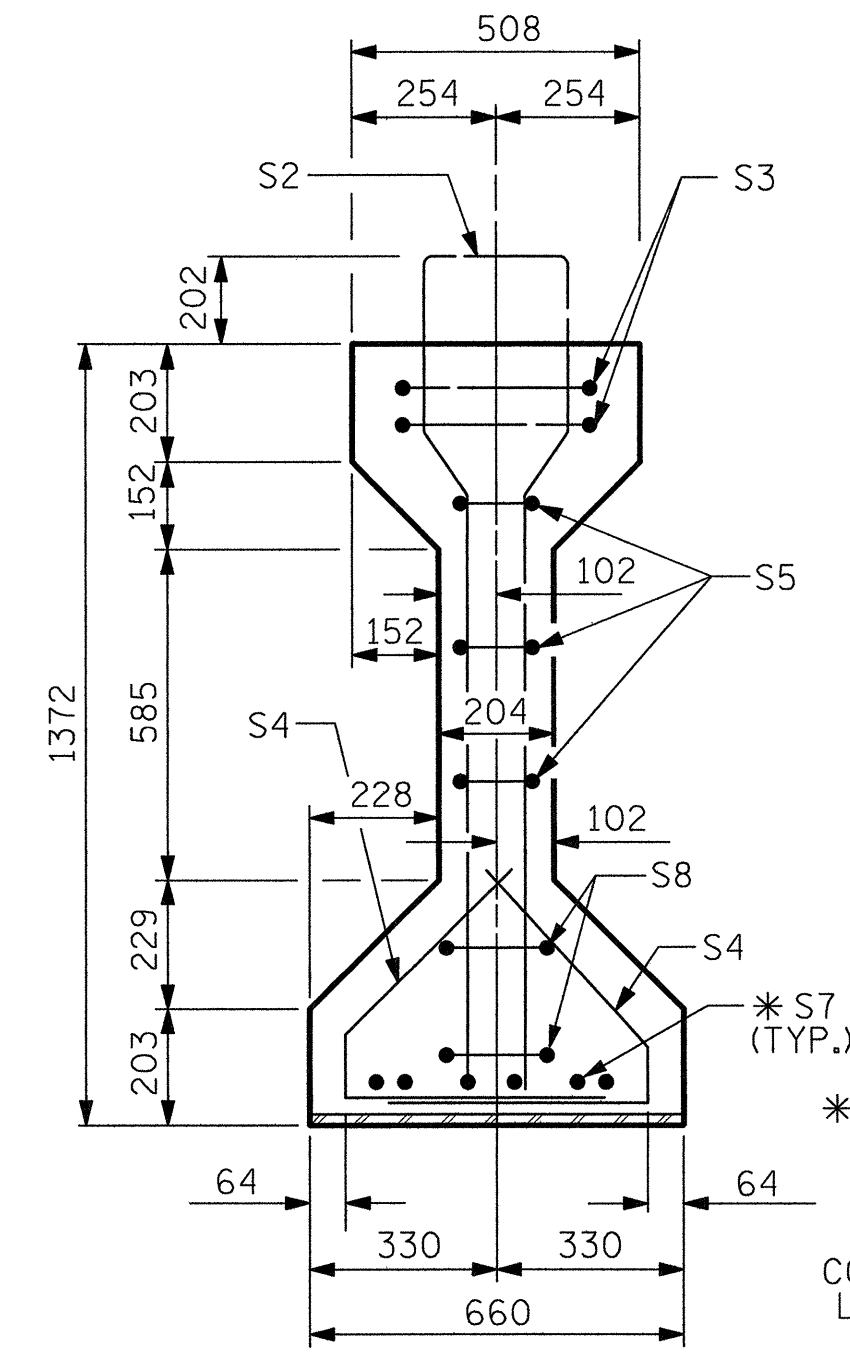
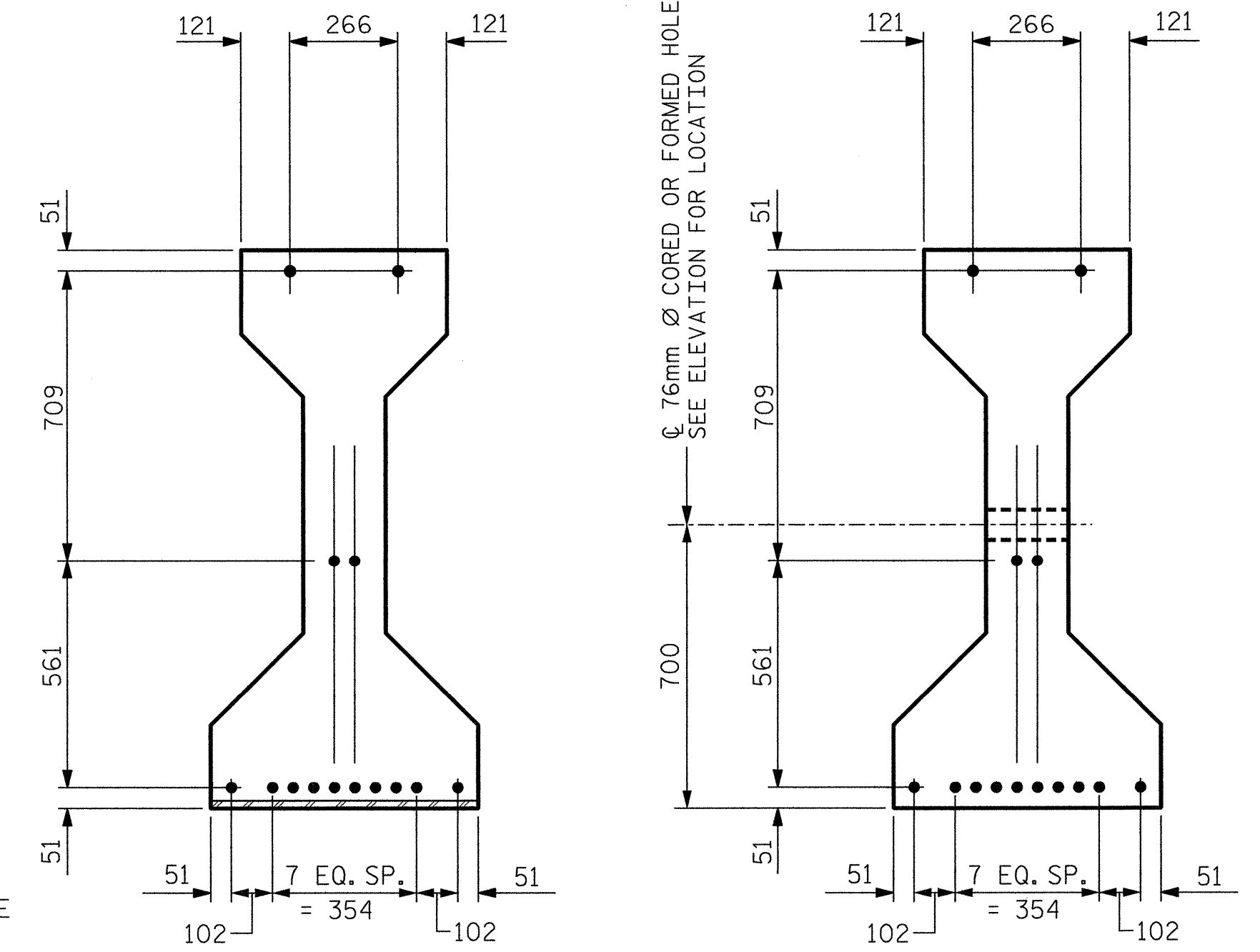


SECTION A-A

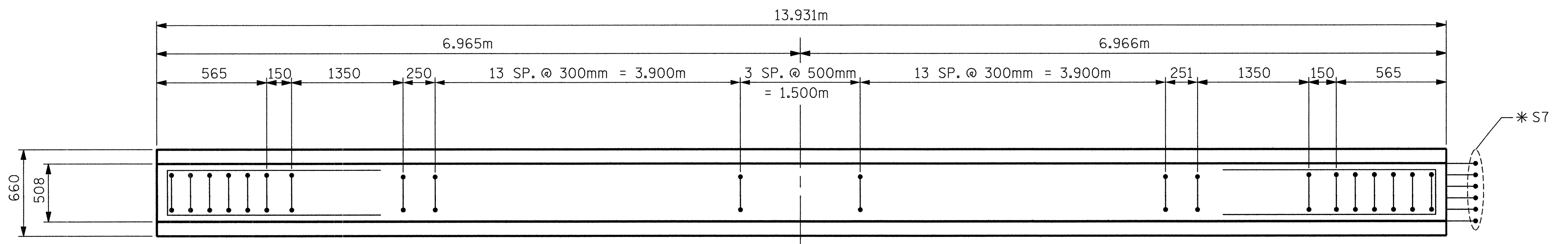


SECTION B-B

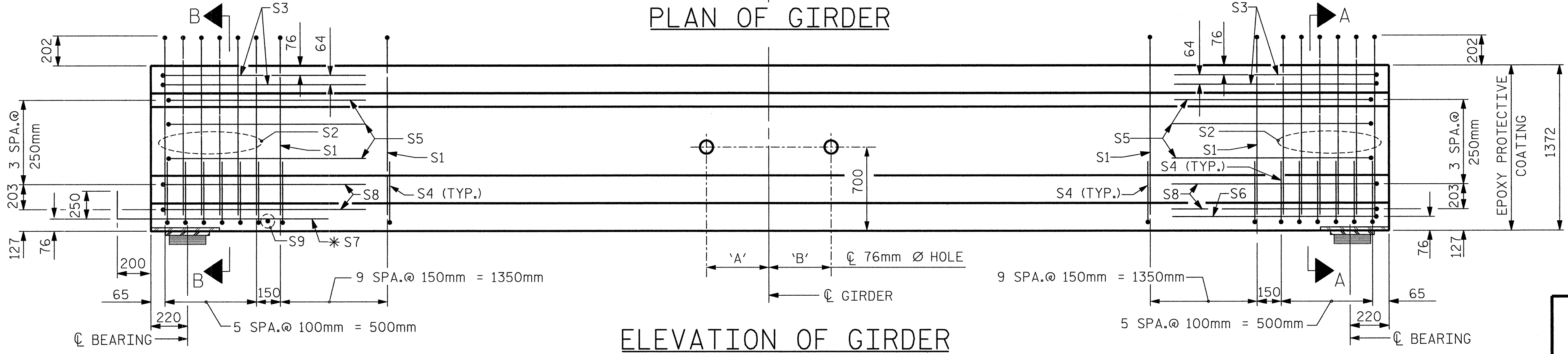


AT END OF GIRDER
AT C OF GIRDER
12.70mm Ø LOW RELAXATION STRAND LAYOUT

* FOR S7 BARS, SEE
DETAIL "A" OF
PRESTRESSED
CONCRETE GIRDER
CONTINUOUS FOR LIVE
LOAD DETAILS SHEET



PLAN OF GIRDER



ELEVATION OF GIRDER

Ø 76mm Ø HOLE DIMENSIONS		
GIRDER	'A'	'B'
C1	962	-
C2	962	962
C3	962	962
C4	-	962

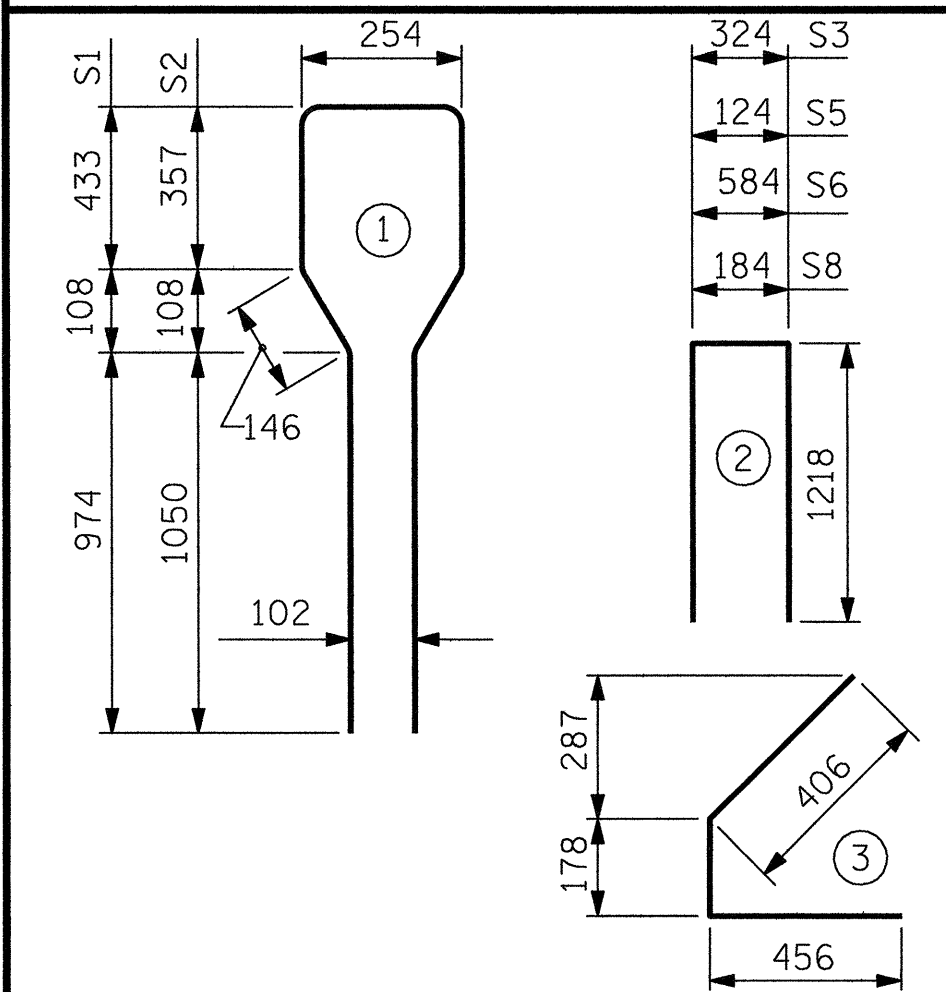
12.7mm Ø L.R. GRADE 270 STRANDS		
AREA (mm ²)	ULTIMATE STRENGTH (KN PER STRAND)	APPLIED PRESTRESS (KN PER STRAND)
98.71	183.7	137.8

REINFORCING STEEL - ONE GIRDER					
BAR	NUMBER	SIZE	TYPE	LENGTH	WEIGHT
S1	50	#13	1	3360	167
S2	12	#19	1	3360	90
S3	4	#13	2	2760	11
S4	64	#13	3	1040	66
S5	6	#13	2	2560	15
S6	1	#13	2	3020	3
* S7	6	#16	STR	1120	10
S8	4	#13	2	2620	10
S9	1	#10	STR	560	1

* NOTE: S7 BARS SHALL BE BENT BEFORE SHIPMENT, HEAT BENDING SHALL NOT BE ALLOWED

BAR TYPES

ALL BAR DIMENSIONS ARE OUT-TO-OUT



QUANTITIES - ONE GIRDER

REINFORCING STEEL	34.5 MPa CONCRETE	12.70mm Ø L.R. STRANDS
kg	m ³	No.
373	7.09	14

GIRDERS REQUIRED

NUMBER	LENGTH	TOTAL LENGTH
4	13.931 m	55.724m

PROJECT NO. **R-2552B**
JOHNSTON COUNTY
 STATION: **97+59.319-L-LT POC**

SHEET 3 OF 4

ASSEMBLED BY : JDF	DATE : 05/01/02
CHECKED BY : MSB	DATE : 05/01/02
DRAWN BY : ELR 8/91	REV. 5/16/97 EEM/RGW
CHECKED BY : GRP 8/91	REV. 7/17/98 RWW/LES
	REV. 10/17/00 RWW/LES

CTE ENGINEERS
 CONSOER TOWNSEND ENVIRONMENTAL ENGINEERS, INC.
 1325 SOUTH POINT BOULEVARD, SUITE 400
 CHARLOTTE, NORTH CAROLINA 28273-5820
 (704) 583-0902

REVISIONS					SHEET NO.
NO.	BY:	DATE:	NO.	DATE:	TOTAL SHEETS
1			3		43
2			4		