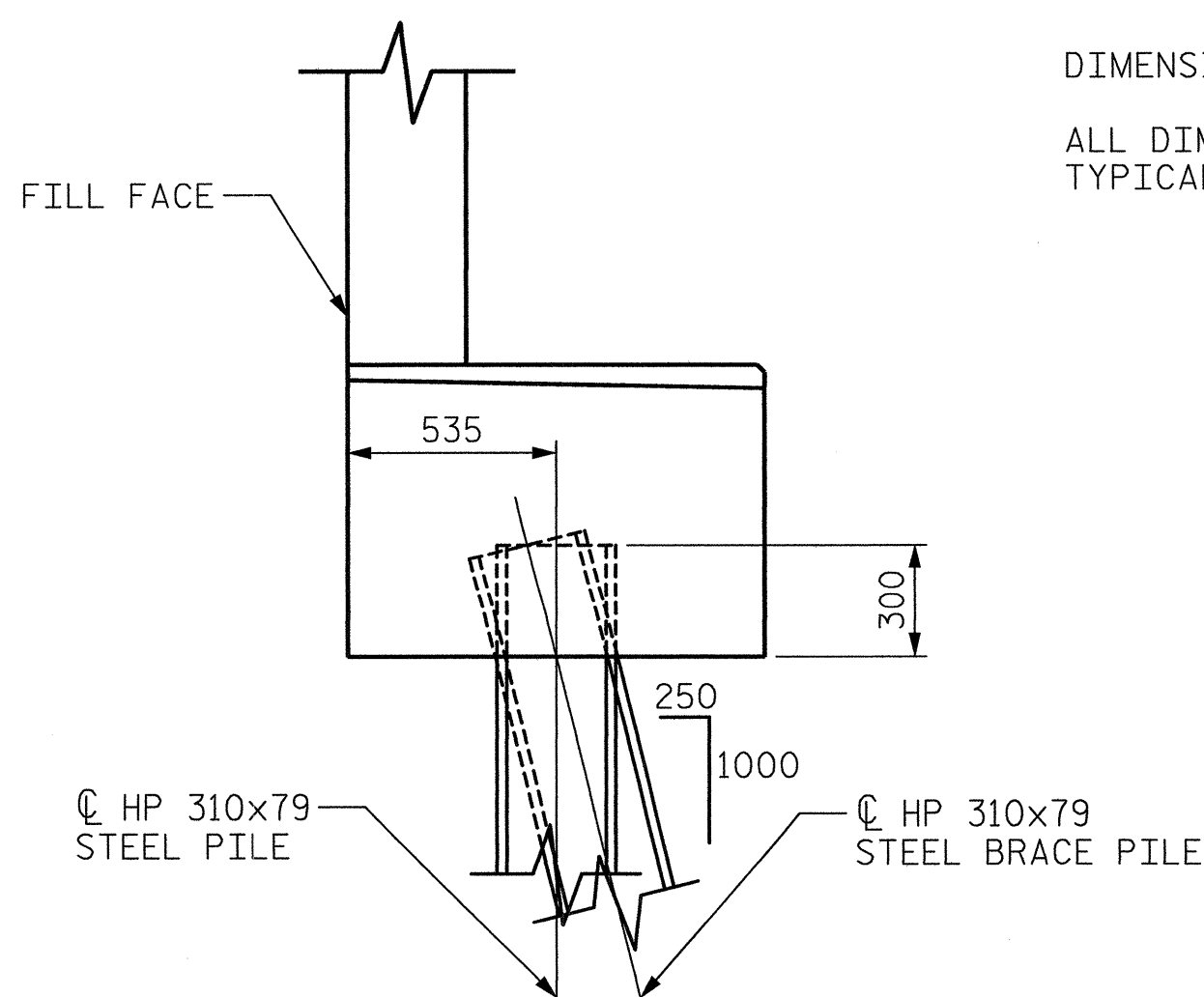
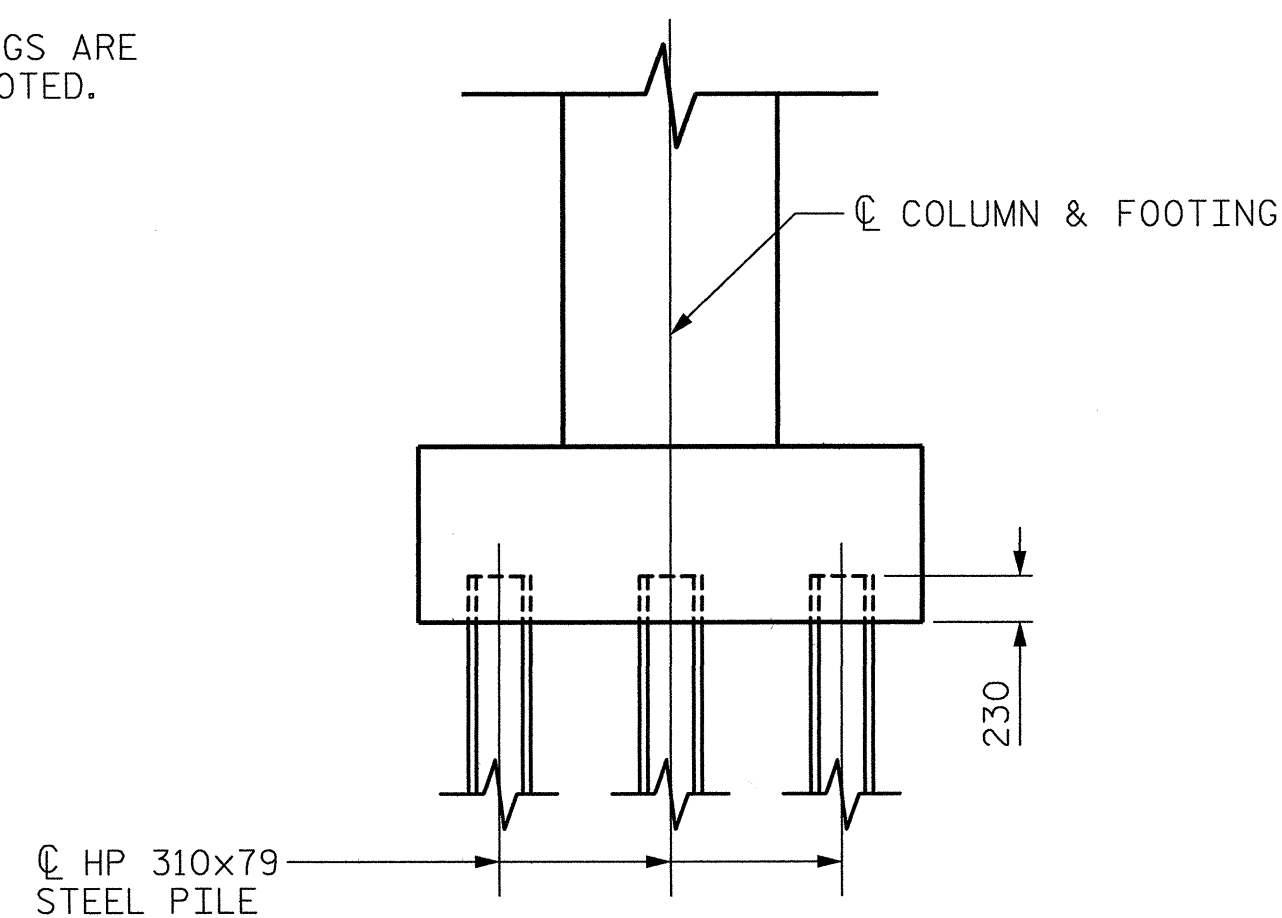


FOUNDATION LAYOUT

DIMENSIONS LOCATING PILES ARE TO PILE CENTERLINES.
 ALL DIMENSIONS AND DETAILS SHOWN FOR FOOTINGS ARE TYPICAL FOR EACH FOOTING UNLESS OTHERWISE NOTED.



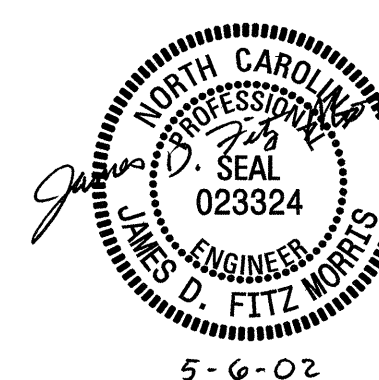
SECTION A-A



SECTION B-B
(TYP. EACH FOOTING)

PROJECT NO. **R-2552B**
JOHNSTON COUNTY
 STATION: **97+46.378-L-RT POC**
18+98.515-YII-REV POT

SHEET 2 OF 4



CTE ENGINEERS
 CONSOER TOWNSEND ENVIRODYNE ENGINEERS, INC.
 13325 SOUTH POINT BOULEVARD, SUITE 400
 CHARLOTTE, NORTH CAROLINA 28273-5820
 (704) 583-0902

STATE OF NORTH CAROLINA
 DEPARTMENT OF TRANSPORTATION
 RALEIGH
GENERAL DRAWING
BRIDGE ON US70 -L-RT
CLAYTON BYPASS OVER
SR 1560 BETWEEN GARNER
AND SMITHFIELD

REVISIONS				SHEET NO.
NO.	BY:	DATE:	NO.	DATE:
1			3	
2			4	

TOTAL SHEETS: 43

DRAWN BY : MSB DATE : 05/01/02
 CHECKED BY : JDF DATE : 05/01/02