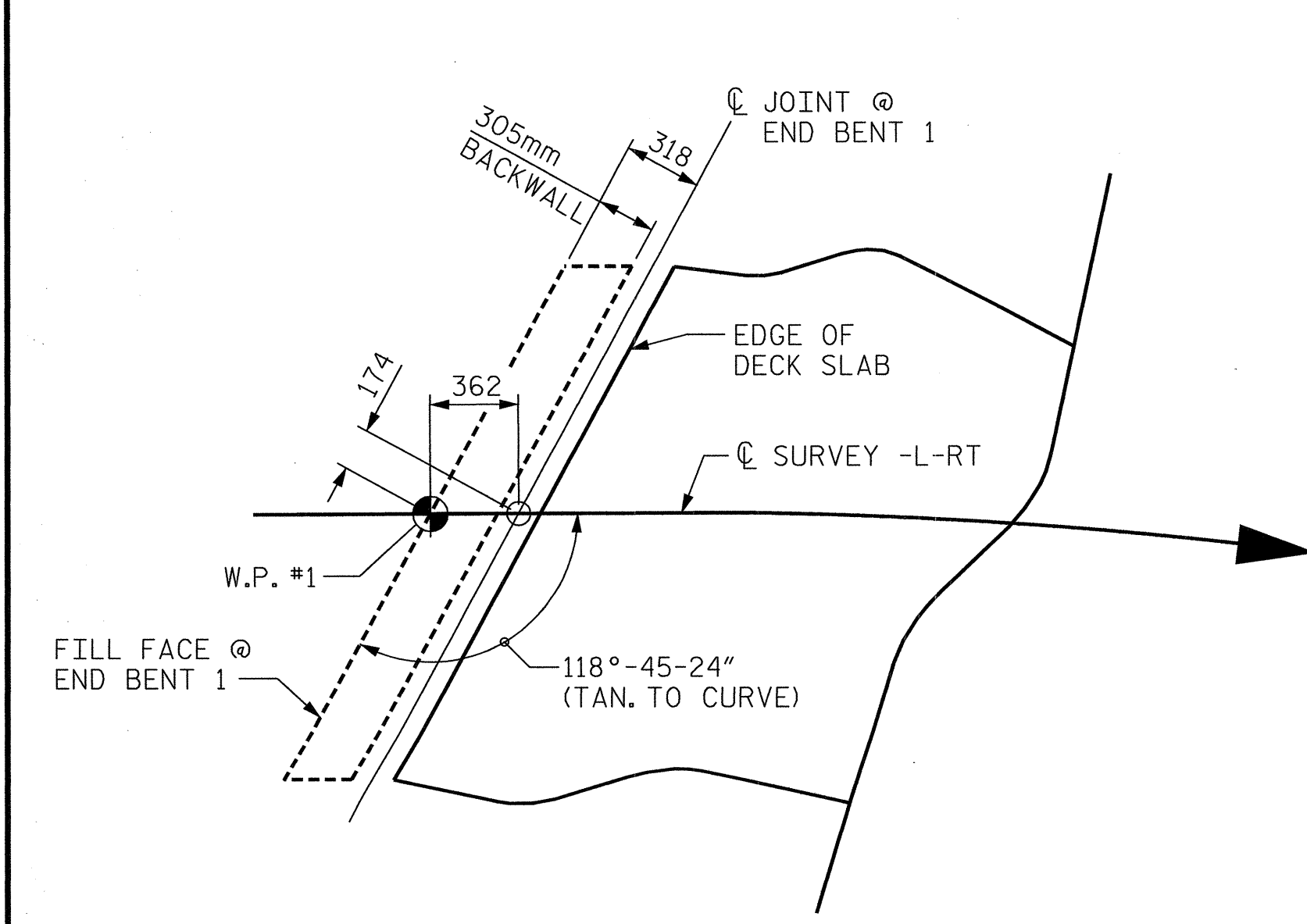
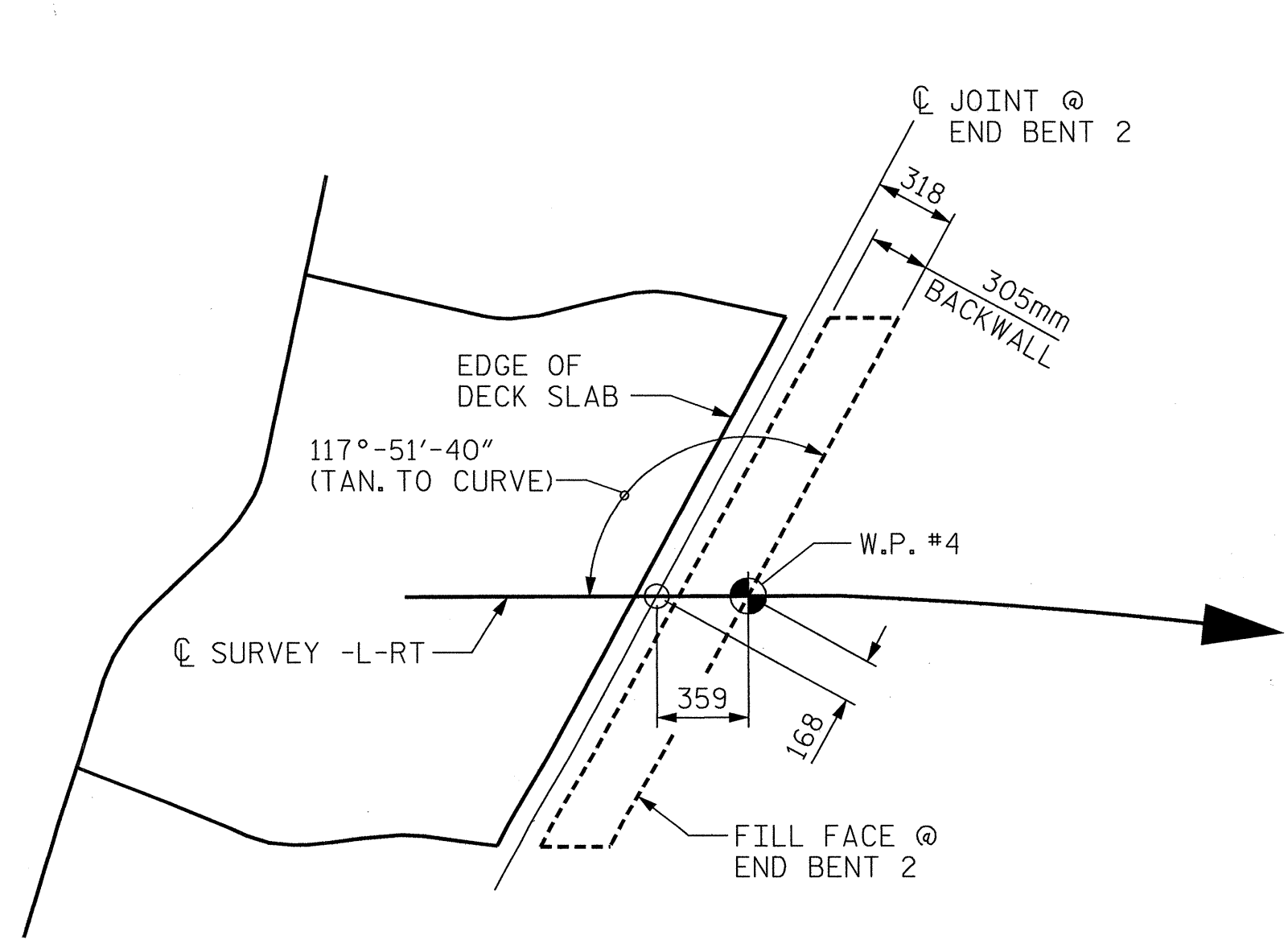


PLAN OF SPANS

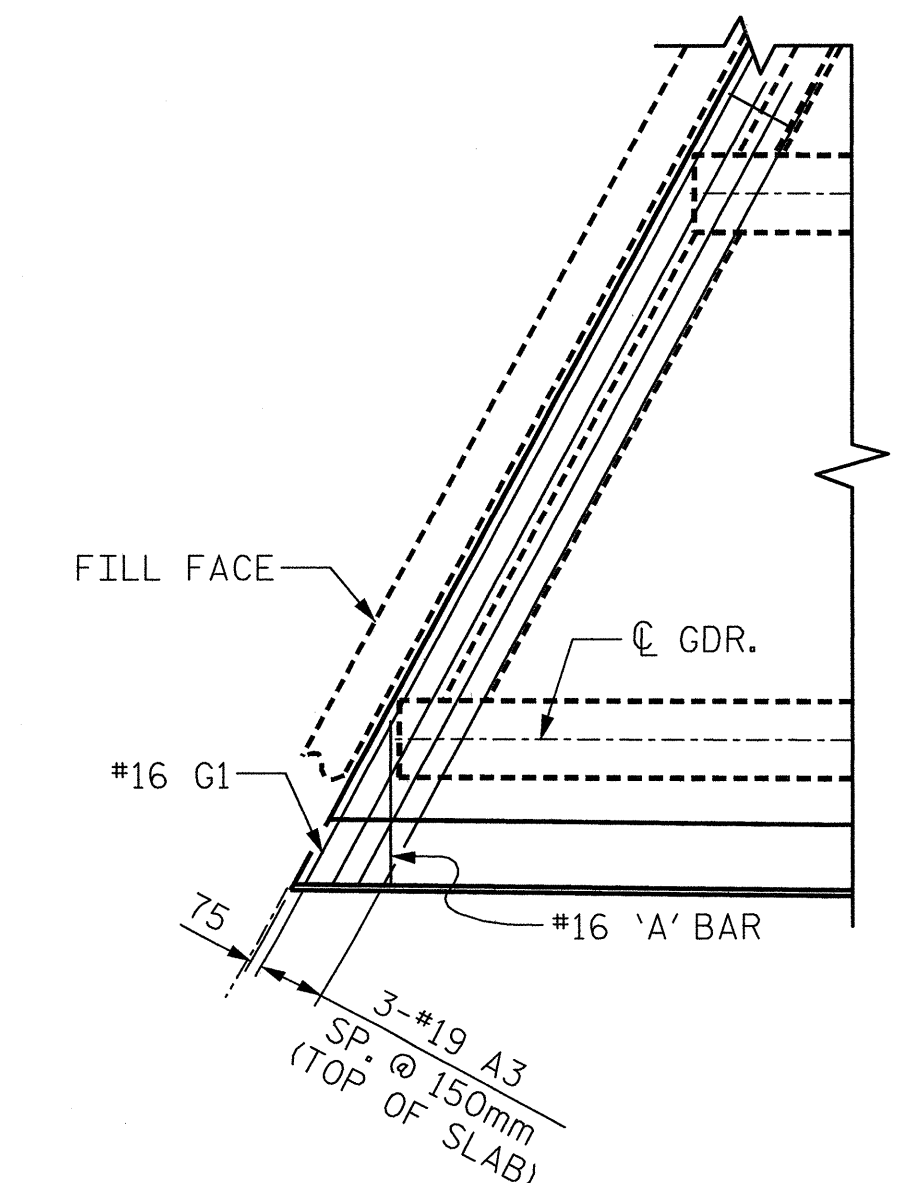
* DENOTES RADIAL THRU WORKPOINTS.



DETAIL A



DETAIL B

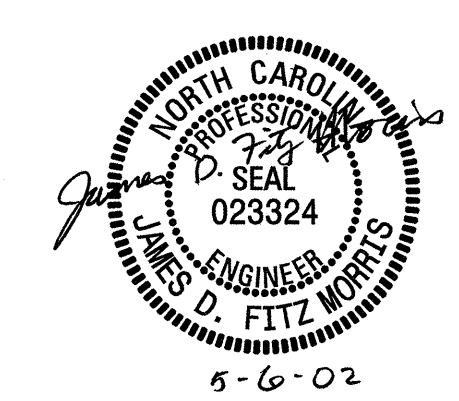


DETAIL C (TYP. AT END BENT 1)

PROJECT NO. **R-2552B**
JOHNSTON COUNTY
 STATION: **97+46.378-L-RT POC**



SHEET 1 OF 2



STATE OF NORTH CAROLINA
 DEPARTMENT OF TRANSPORTATION
 RALEIGH
SUPERSTRUCTURE
PLAN OF SPANS A, B, AND C

CTE ENGINEERS
 CONSOER TOWNSEND ENVIRONMENTAL ENGINEERS, INC.
 1325 SOUTH POINT BOULEVARD, SUITE 400
 CHARLOTTE, NORTH CAROLINA 28273-5820
 (704) 583-0902

| REVISIONS | | | | SHEET NO. | |
|-----------|-----|-------|-----|-----------|-------|
| NO. | BY: | DATE: | NO. | BY: | DATE: |
| 1 | | | 3 | | |
| 2 | | | 4 | | |

DRAWN BY : JDF
 CHECKED BY : MSB
 DATE : 05/01/02
 DATE : 05/01/02

TOTAL SHEETS
 431