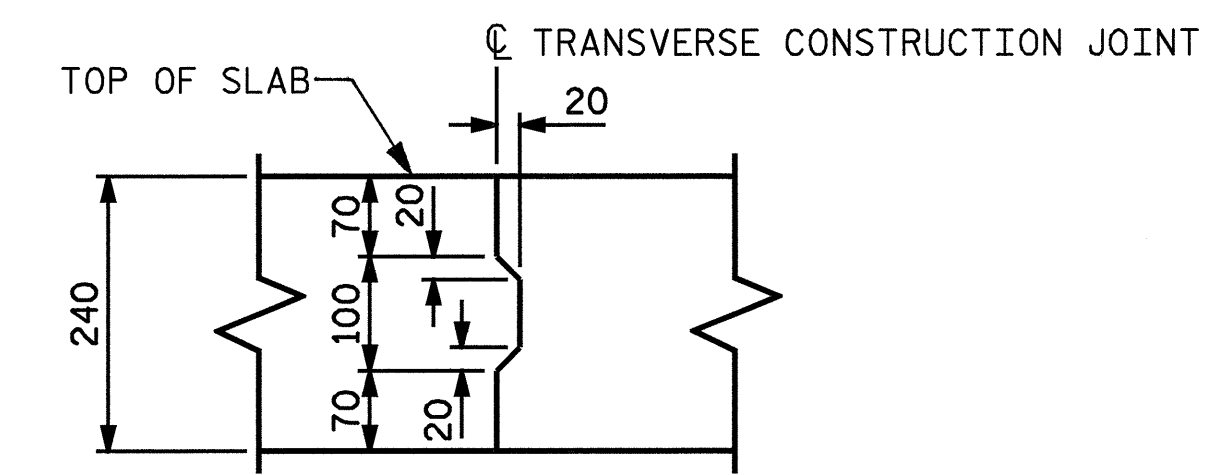
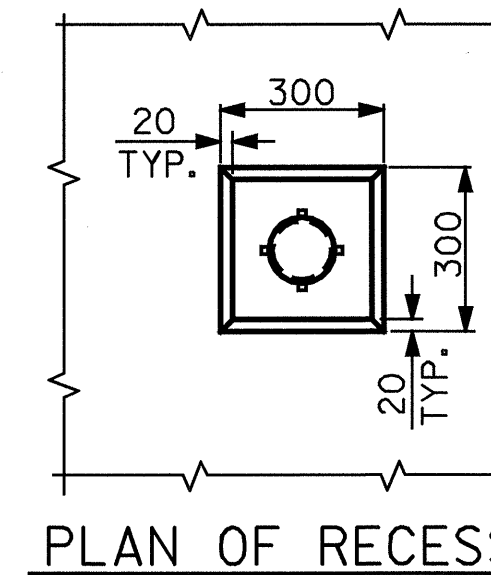
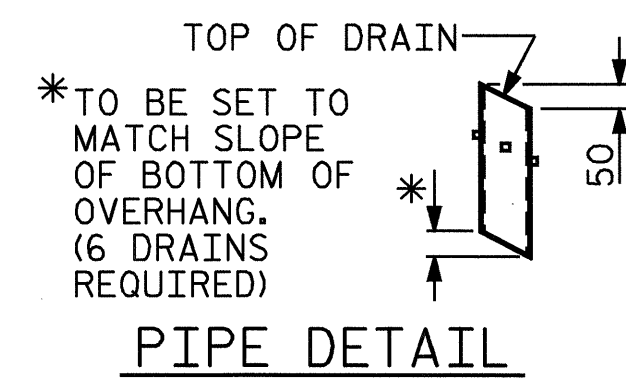
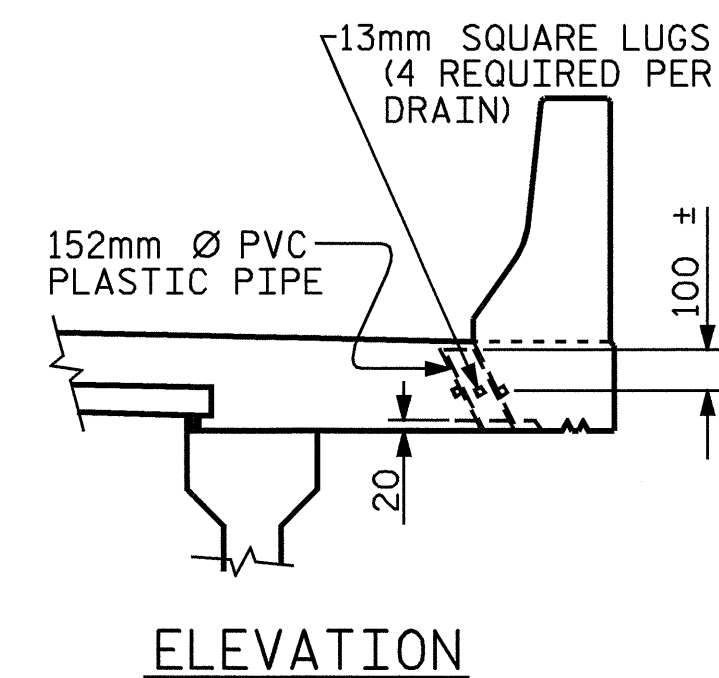


**PLAN OF SPANS**  
(SEE SUPERSTRUCTURE TYPICAL SECTION FOR ADDITIONAL DETAILS)

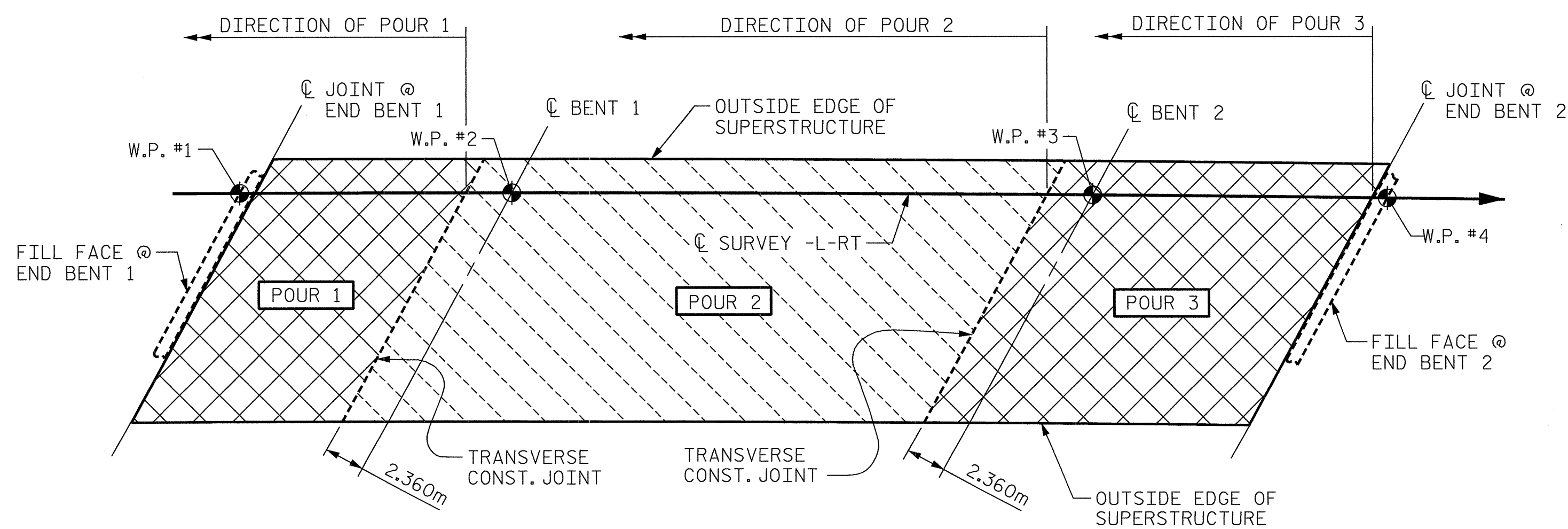


**TRANSVERSE CONSTRUCTION JOINT DETAIL**  
NOTE: SLAB REINFORCING STEEL SHALL BE CONTINUOUS THROUGH JOINT



**DRAIN DETAILS**

**NOTES:**  
TOP OF FLOOR DRAIN TO BE SET 10mm BELOW SURFACE OF SLAB.  
4- 13mm SQUARE LUGS TO BE GLUED TO THE PVC PLASTIC PIPE AT EQUAL SPACES AROUND THE PIPE DRAIN APPROXIMATELY 100mm FROM THE TOP OF THE PIPE.  
THE 152mm Ø PVC PIPE AND FITTINGS SHALL BE SCHEDULE 40 AND CONFORM TO ASTM D1785.



**POURING SEQUENCE**

PROJECT NO. **R-2552B**  
**JOHNSTON** COUNTY  
STATION: **97+46.378-L-RT POC**



SHEET 2 OF 2

		STATE OF NORTH CAROLINA DEPARTMENT OF TRANSPORTATION RALEIGH <b>SUPERSTRUCTURE</b> <b>PLAN OF</b> <b>'B' BAR LAYOUT</b>				
		REVISIONS				
NO.	BY:	DATE:	NO.	BY:	DATE:	SHEET NO.
1			3			S-123
2			4			TOTAL SHEETS 43

DRAWN BY : JDF DATE : 05/01/02  
CHECKED BY : MSB DATE : 05/01/02

CONSOER TOWNSEND ENVIRODYNE ENGINEERS, INC.  
1325 SOUTH POINT BOULEVARD, SUITE 400  
CHARLOTTE, NORTH CAROLINA 28273-5820  
(704) 583-0902