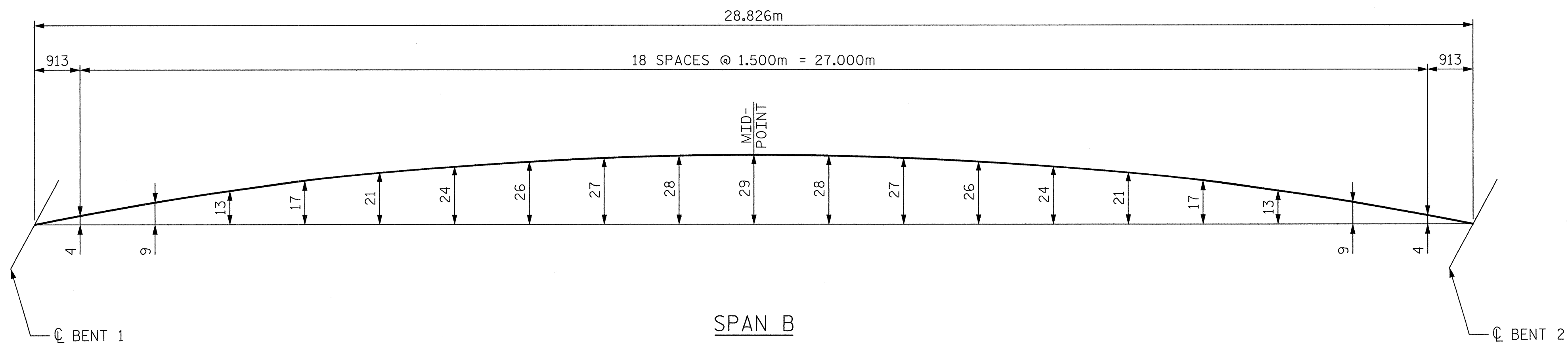
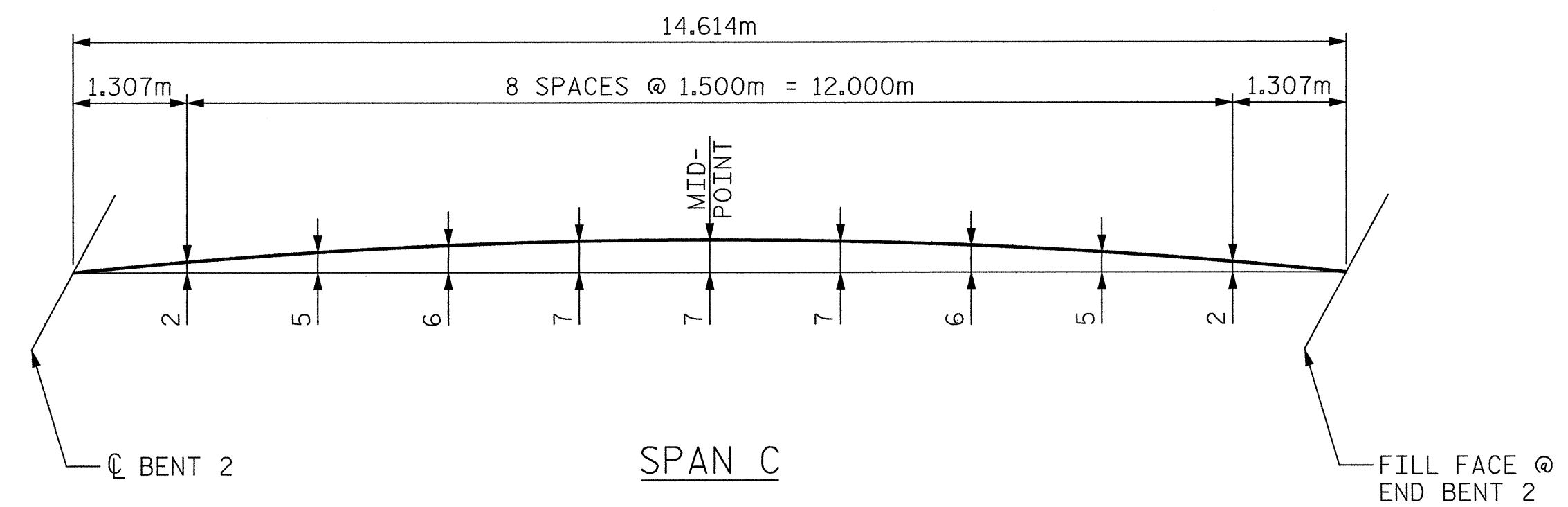
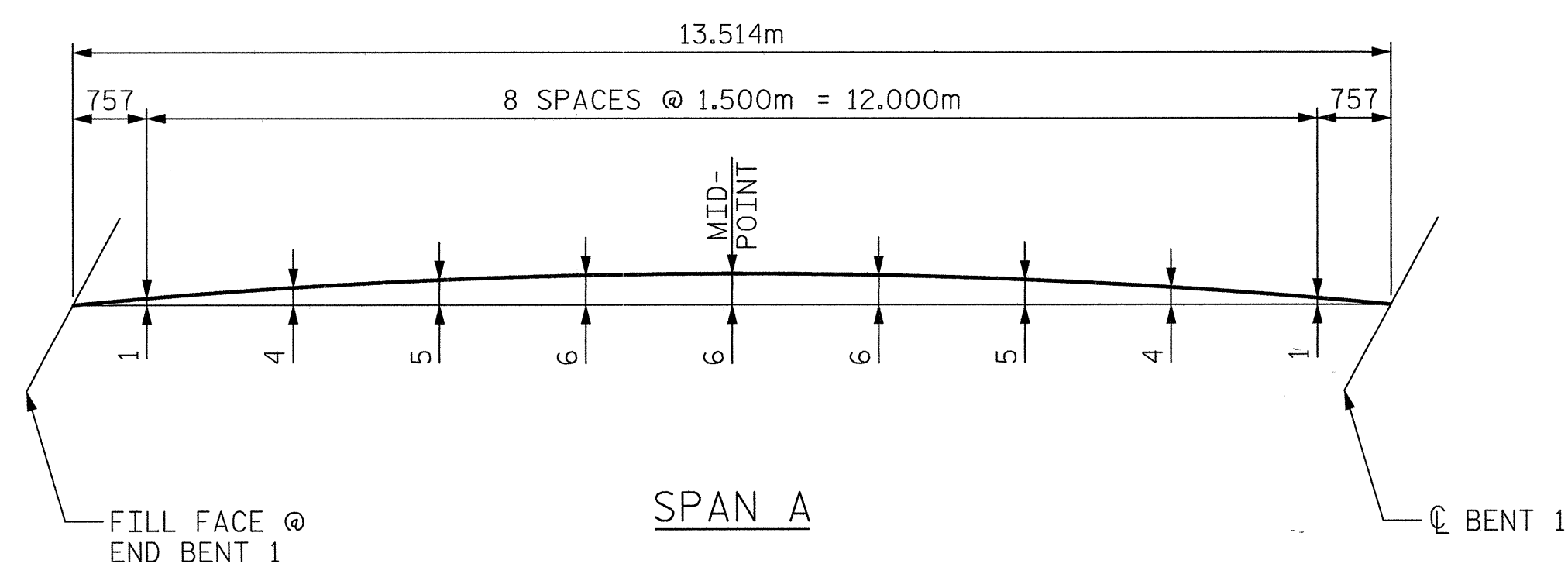
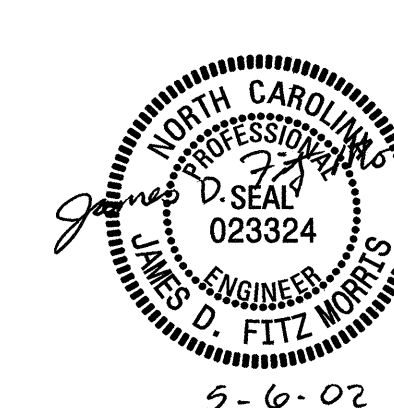


ARC OFFSETS FOR LEFT SIDE



ARC OFFSETS FOR RIGHT SIDE

PROJECT NO. R-2552B
JOHNSTON COUNTY
 STATION: 97+46.378-L-RT POC



CTE ENGINEERS
 CONSOER TOWNSEND ENVIRONMENTAL ENGINEERS, INC.
 13325 SOUTH POINT BOULEVARD, SUITE 400
 CHARLOTTE, NORTH CAROLINA 28273-5820
 (704) 583-0902

STATE OF NORTH CAROLINA
 DEPARTMENT OF TRANSPORTATION
 RALEIGH

SUPERSTRUCTURE
ARC OFFSETS

REVISIONS					SHEET NO.
NO.	BY:	DATE:	NO.	DATE:	TOTAL SHEETS
1			3		5-125
2			4		431

DRAWN BY : MSB DATE : 05/01/02
 CHECKED BY : JDF DATE : 05/01/02