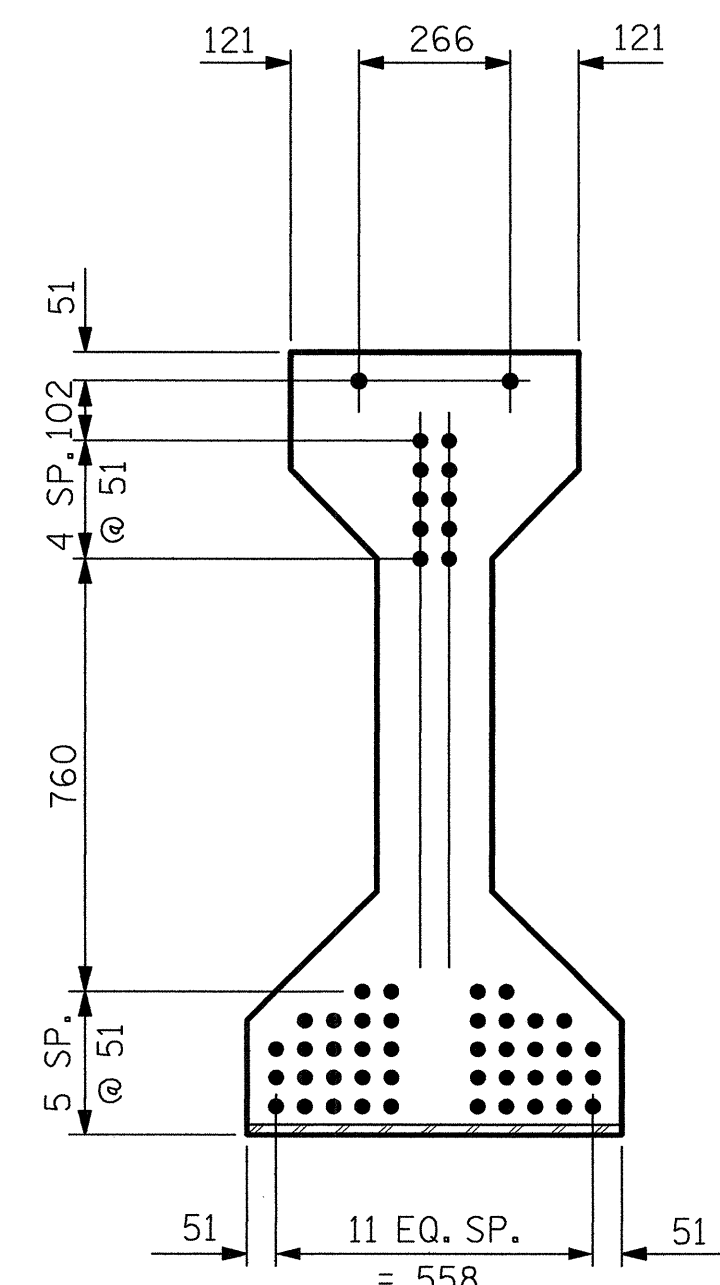
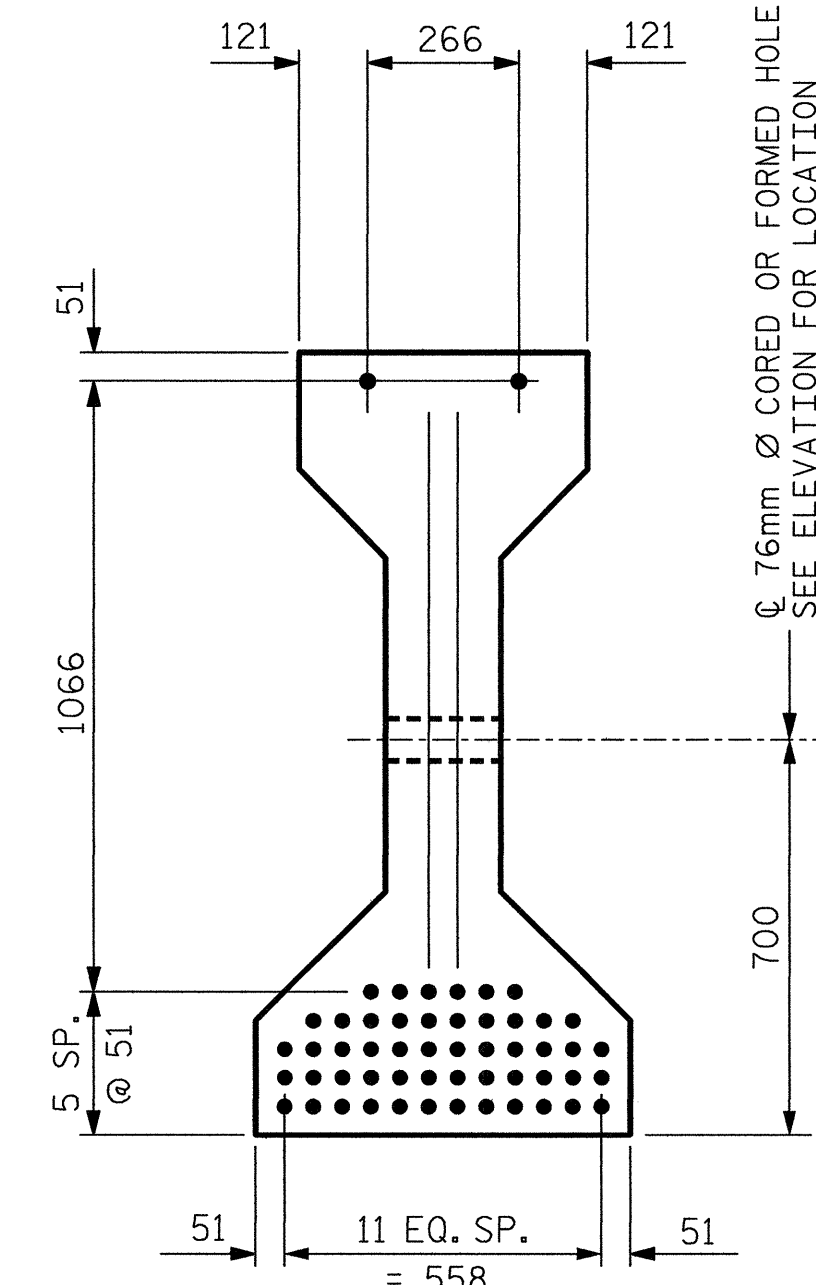


SECTION A-A

\* FOR S7 BARS, SEE  
DETAIL "A" OF  
PRESTRESSED  
CONCRETE GIRDER  
CONTINUOUS FOR LIVE  
LOAD DETAILS SHEET

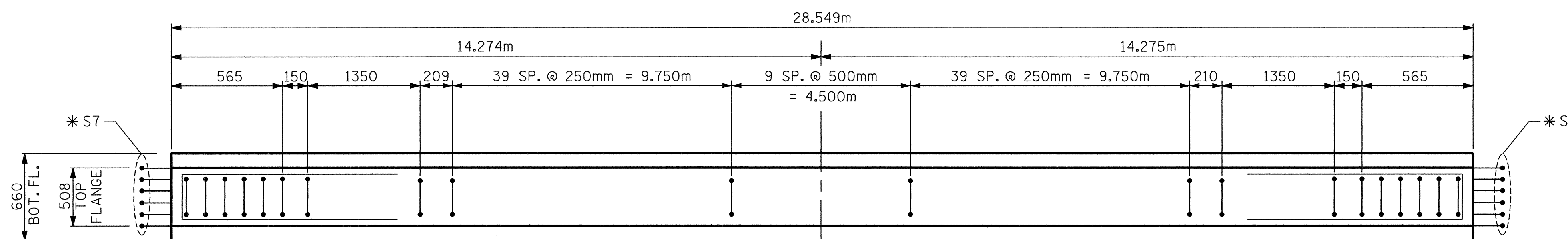


AT END OF GIRDER

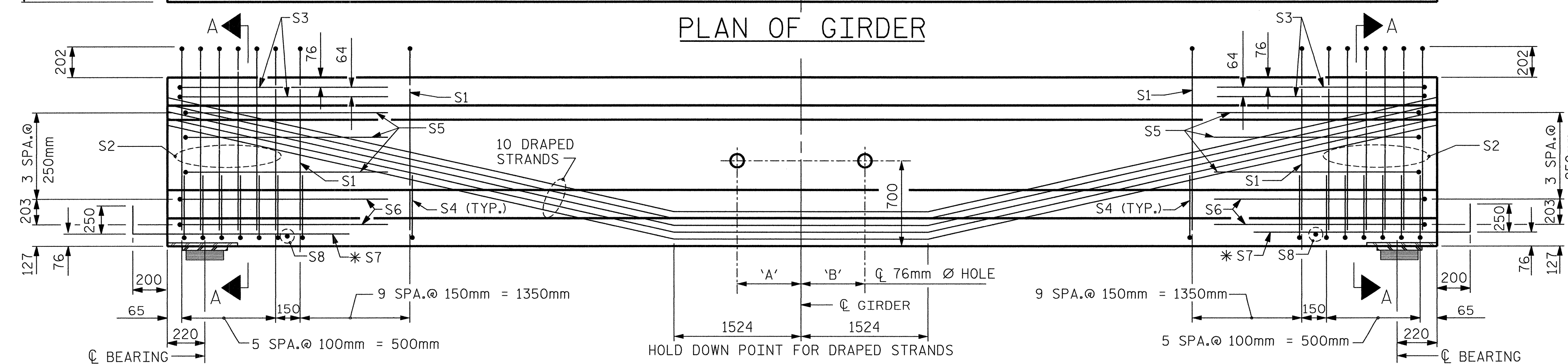


AT C OF GIRDER

12.70mm Ø LOW RELAXATION STRAND LAYOUT



PLAN OF GIRDER



ELEVATION OF GIRDER

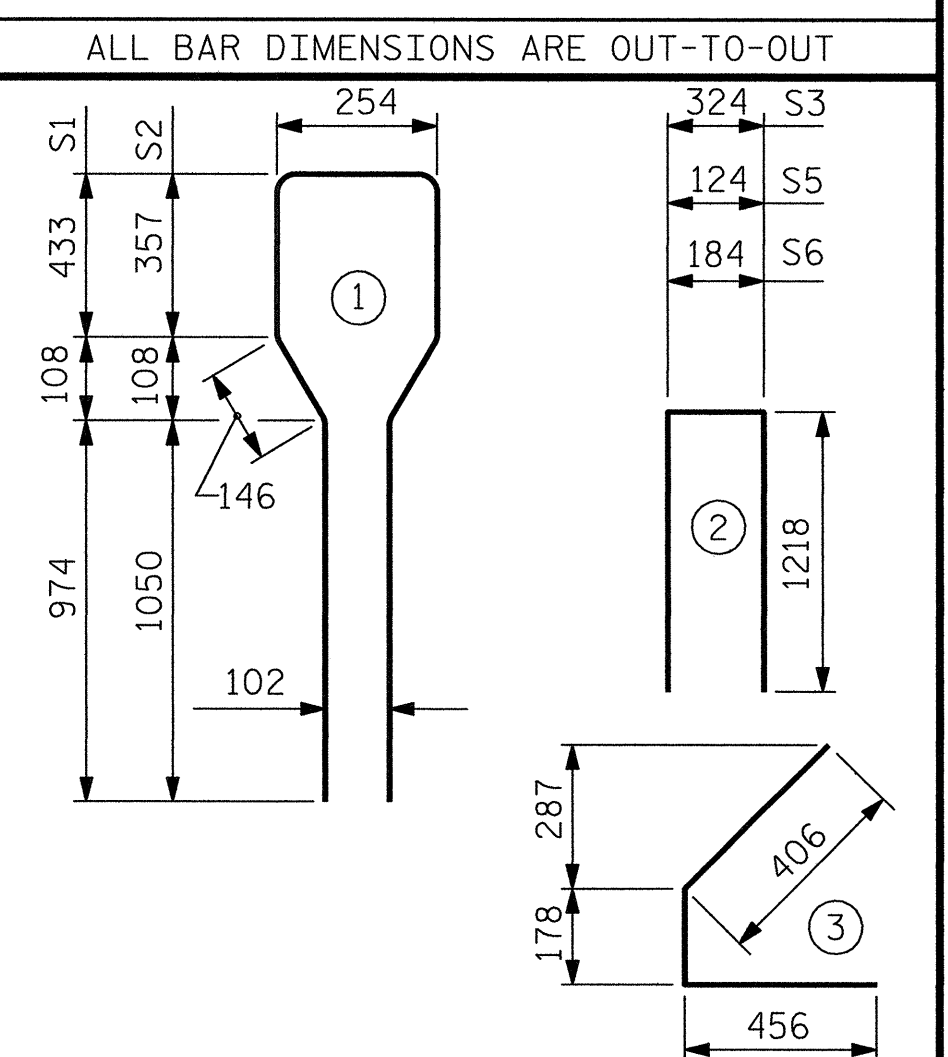
Ø 76mm Ø HOLE DIMENSIONS		
GIRDER	'A'	'B'
B1	971	-
B2	971	971
B3	971	971
B4	-	971

12.7mm Ø L.R. GRADE 270 STRANDS		
AREA (mm <sup>2</sup> )	ULTIMATE STRENGTH (KN PER STRAND)	APPLIED PRESTRESS (KN PER STRAND)
98.71	183.7	137.8

REINFORCING STEEL - ONE GIRDER					
BAR	NUMBER	SIZE	TYPE	LENGTH	WEIGHT
S1	108	#13	1	3360	361
S2	12	#19	1	3360	90
S3	4	#13	2	2760	11
S4	64	#13	3	1040	66
S5	6	#13	2	2560	15
S6	4	#13	2	2620	10
* S7	12	#16	STR	1120	21
S8	2	#10	STR	560	1

\* NOTE: S7 BARS SHALL BE BENT BEFORE SHIPMENT, HEAT BENDING SHALL NOT BE ALLOWED

BAR TYPES



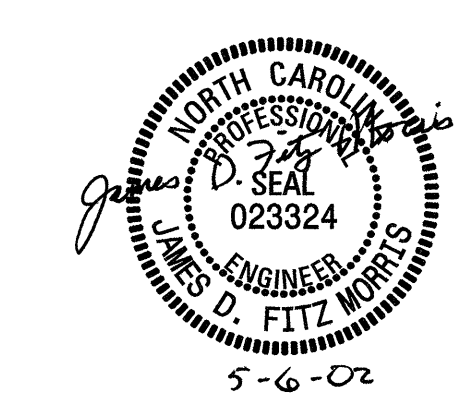
QUANTITIES - ONE GIRDER			
	REINFORCING STEEL (kg)	55.1 MPa CONCRETE (m <sup>3</sup> )	12.70mm Ø L.R. STRANDS (No.)
	575	14.53	54

GIRDERS REQUIRED

NUMBER	LENGTH	TOTAL LENGTH
4	28.549 m	114.196m

PROJECT NO. **R-2552B**  
**JOHNSTON** COUNTY  
 STATION: **97+46.378-L-RT POC**

SHEET 2 OF 4



STATE OF NORTH CAROLINA  
 DEPARTMENT OF TRANSPORTATION  
 RALEIGH  
**STANDARD**  
**AASHTO TYPE IV PRESTRESSED CONCRETE GIRDER CONTINUOUS FOR LIVE LOAD**

SPAN B

REVISIONS					SHEET NO.
NO.	BY:	DATE:	NO.	BY:	DATE:
1			3		
2			4		

TOTAL SHEETS: 431

ASSEMBLED BY : JDF	DATE : 05/01/02
CHECKED BY : MSB	DATE : 05/01/02
DRAWN BY : ELR 8/91	REV. 5/16/97 EEM/RGW
CHECKED BY : GRP 8/91	REV. 7/17/98 RWW/LES
	REV. 10/17/00 RWW/LES