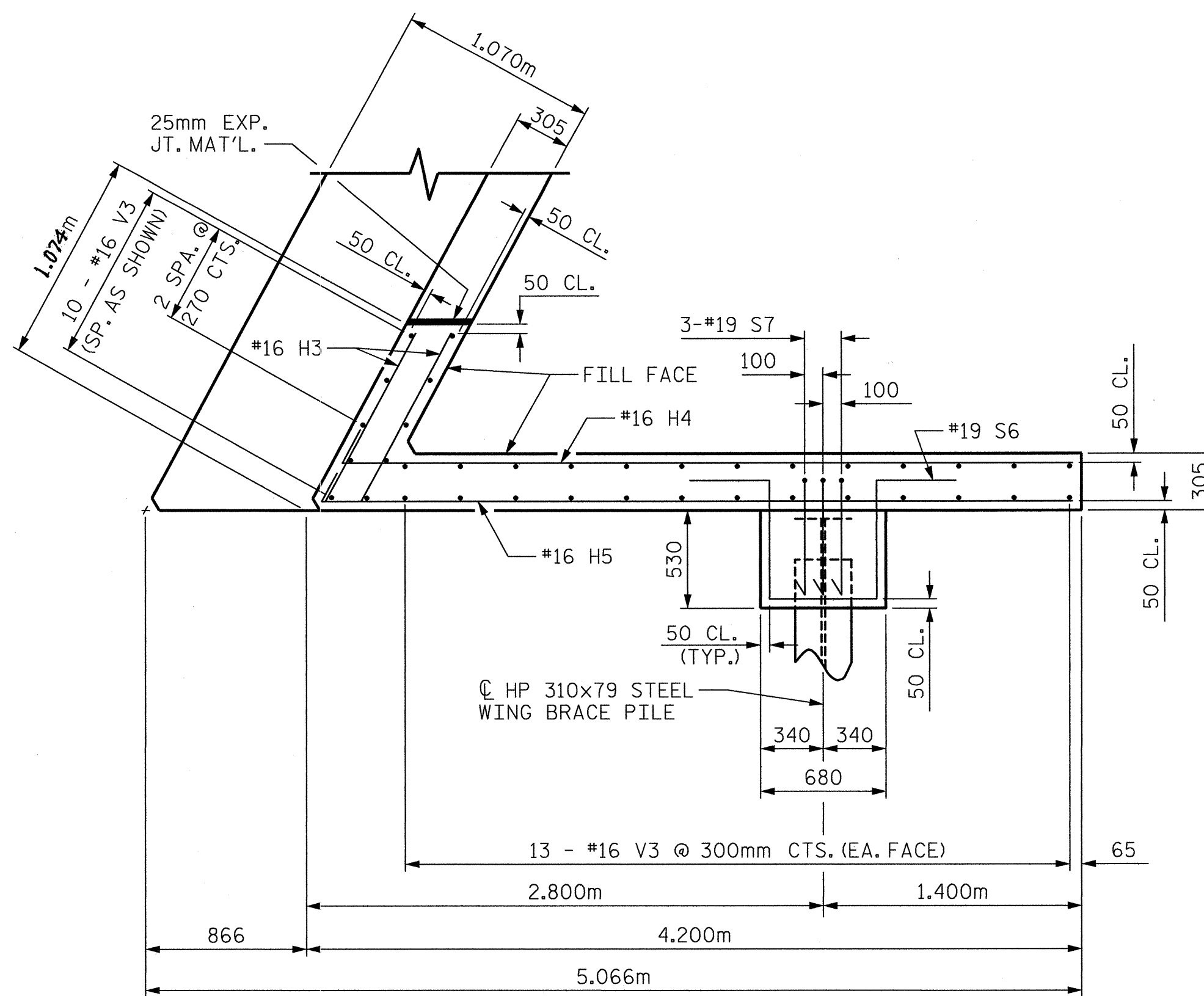


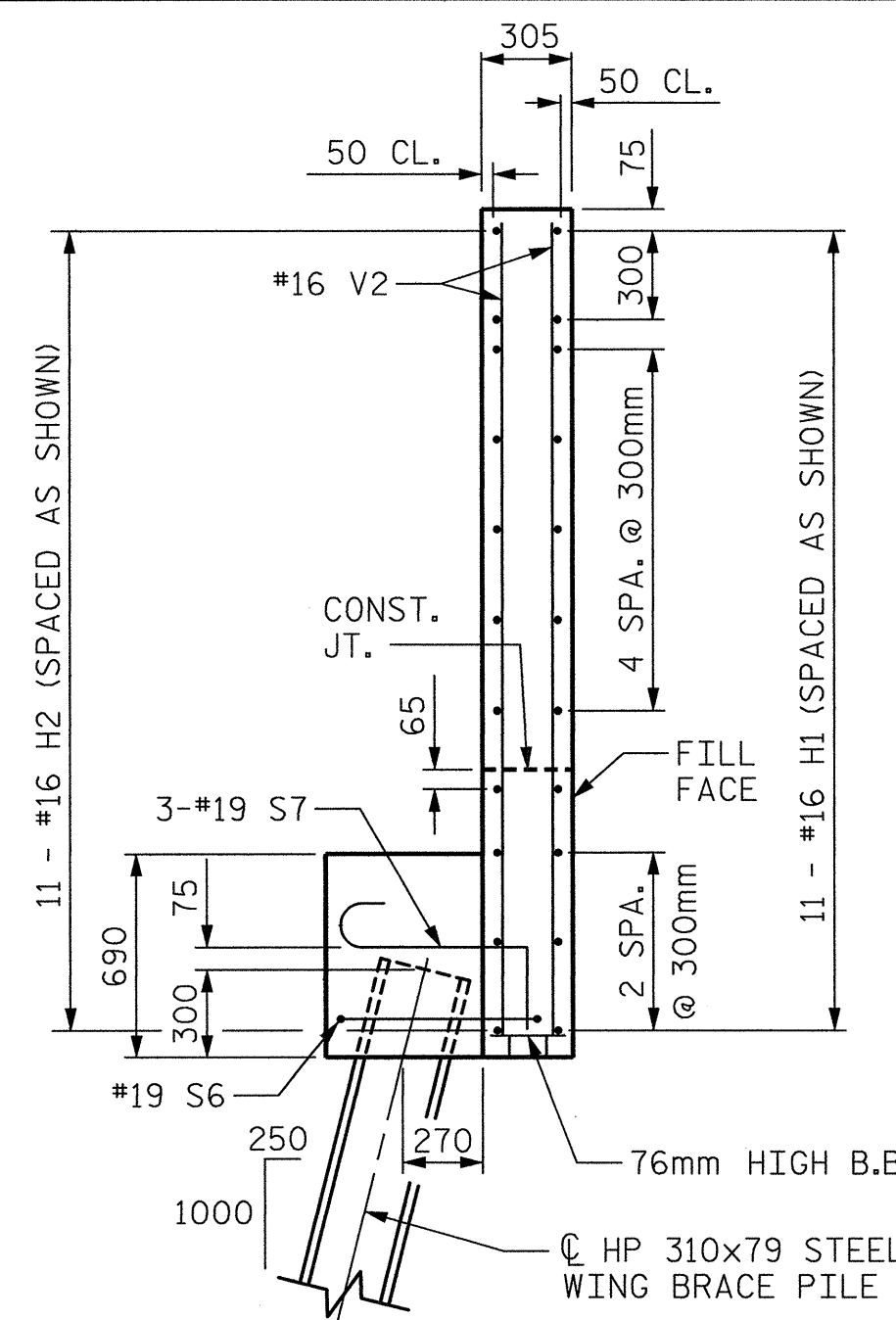
PLAN OF WING (W1)



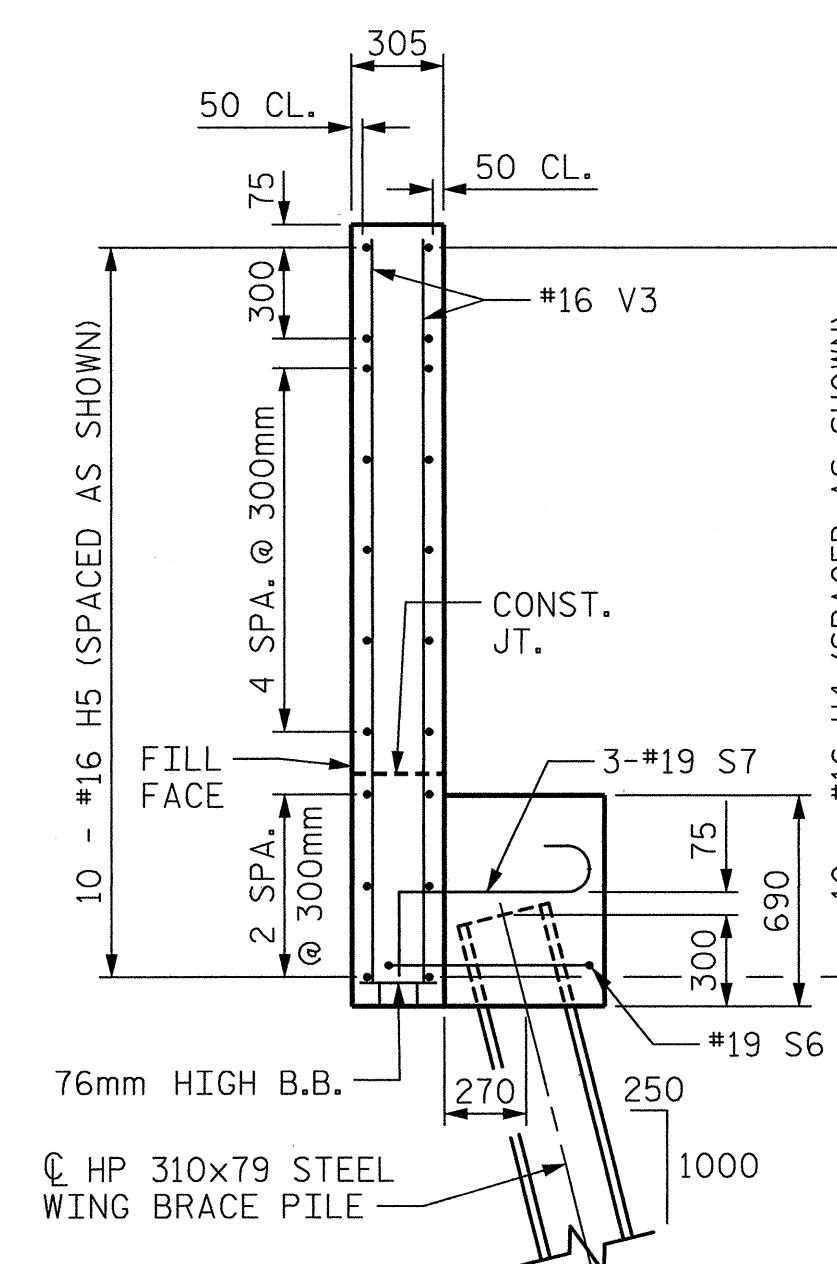
PLAN OF WING (W2)

NOTE:

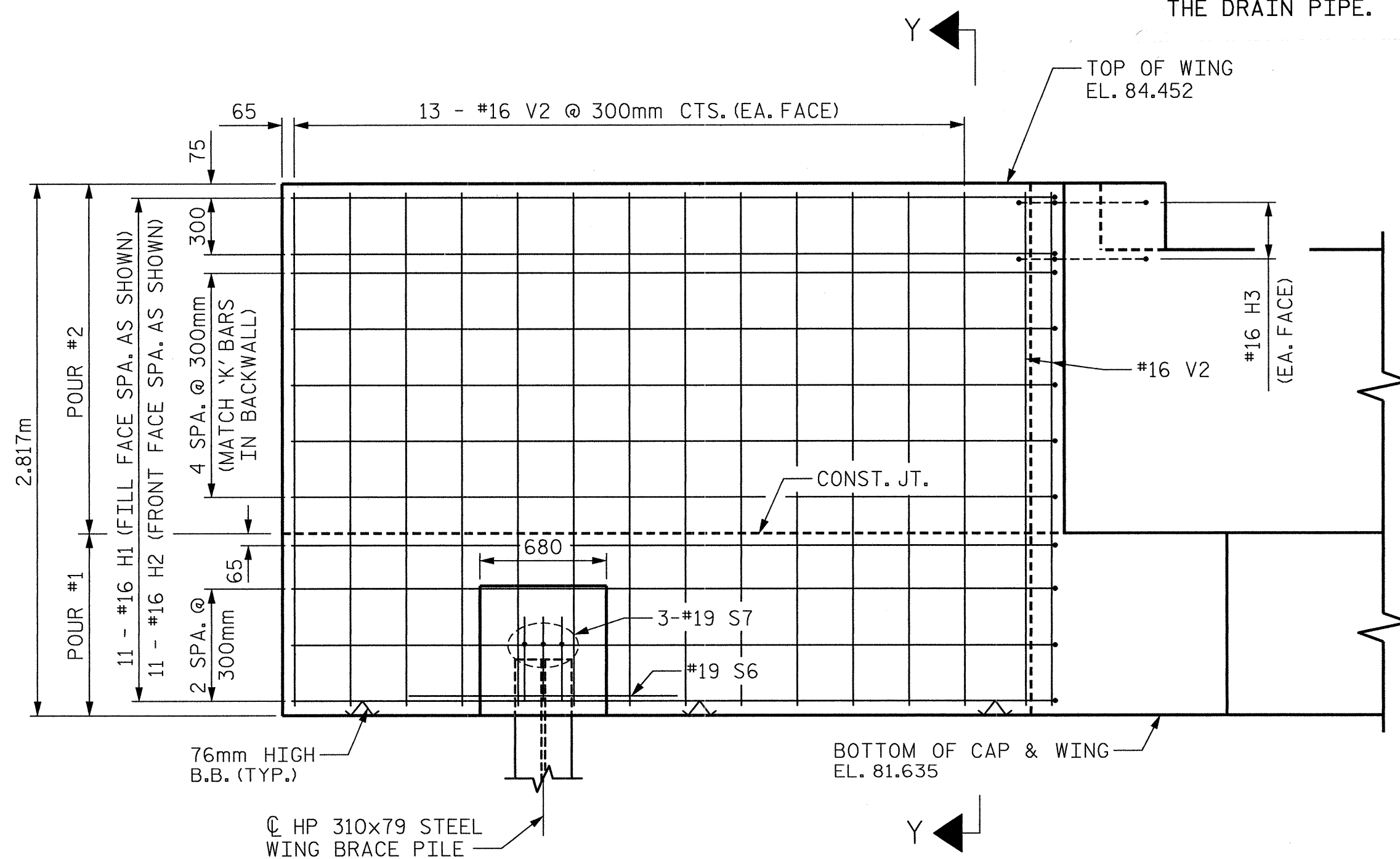
THE CONTRACTOR SHALL PROVIDE FOR INSTALLATION OF THE 102mm Ø DRAIN PIPE THROUGH THE WING WALL AS REQUIRED FOR REINFORCED BRIDGE APPROACH FILLS, SEE THE ROADWAY PLANS. REINFORCING STEEL IN THE WING WALL MAY BE SHIFTED AS NECESSARY TO CLEAR THE DRAIN PIPE.



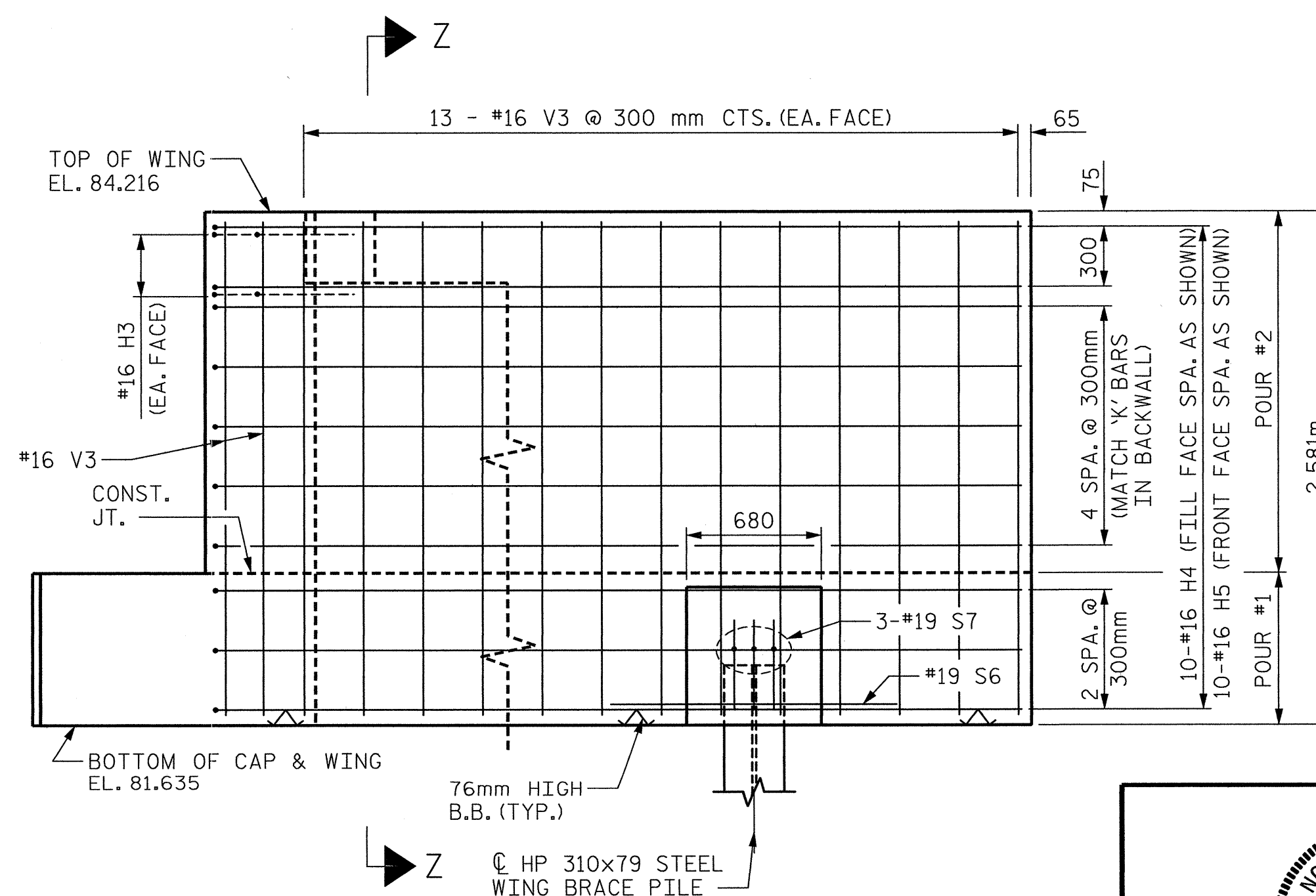
SECTION Y-Y



SECTION Z-Z



ELEVATION OF WING (W1)



ELEVATION OF WING (W2)

PROJECT NO. **R-2552B**  
**JOHNSTON** COUNTY  
 STATION: **97+46.378-L-RT POC**



SHEET 2 OF 3



STATE OF NORTH CAROLINA  
 DEPARTMENT OF TRANSPORTATION  
 RALEIGH

**SUBSTRUCTURE**

**END BENT 2**

**CTE ENGINEERS**  
 CONSOER TOWNSEND ENVIRONMENTAL ENGINEERS, INC.  
 13325 SOUTH POINT BOULEVARD, SUITE 400  
 CHARLOTTE, NORTH CAROLINA 28213-5820  
 (704) 583-0902

REVISIONS				SHEET NO.
NO.	BY:	DATE:	NO.	DATE:
1			3	
2			4	

DRAWN BY : JDF  
 CHECKED BY : MSB  
 DATE : 05/01/02  
 DATE : 05/01/02

TOTAL SHEETS  
 431