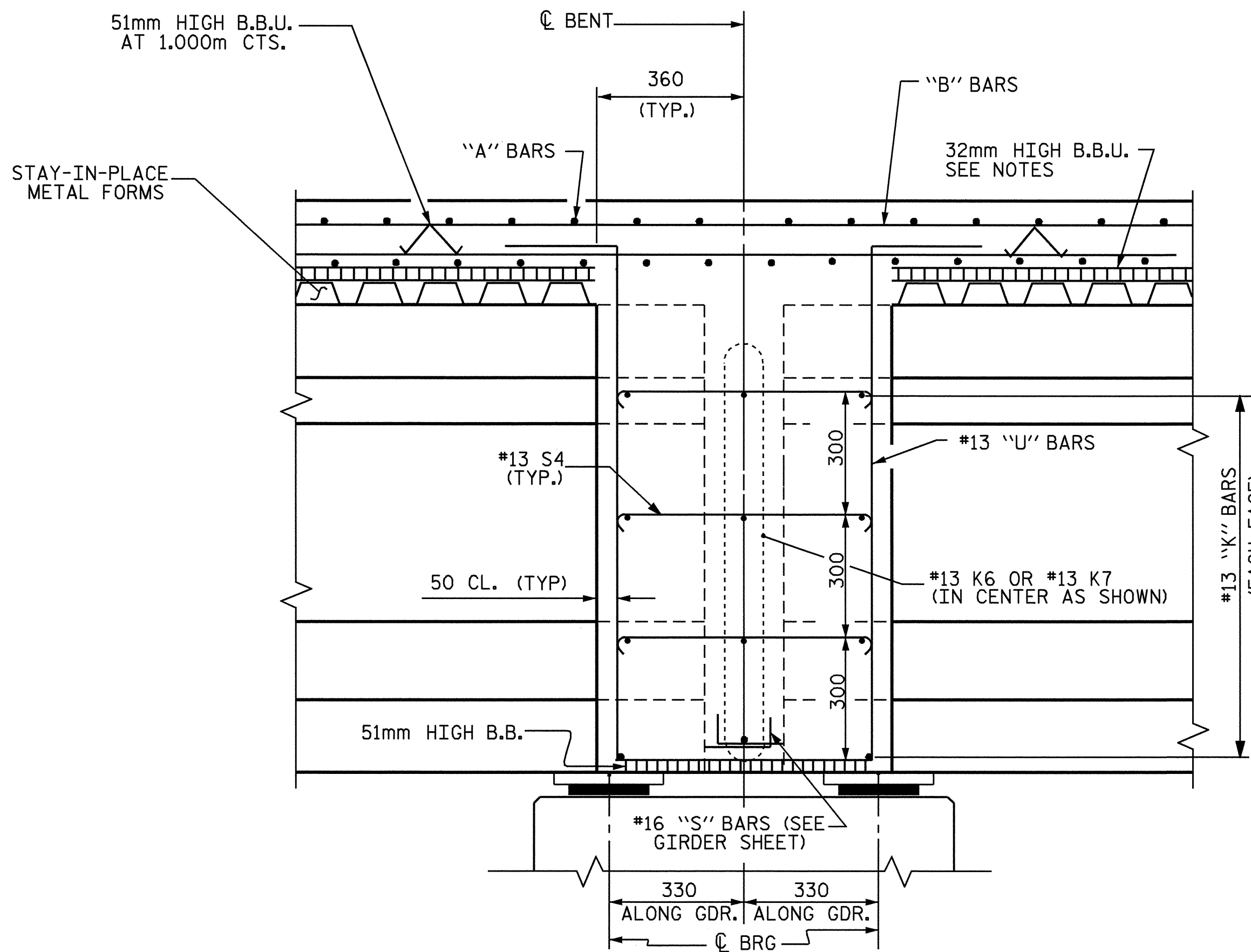
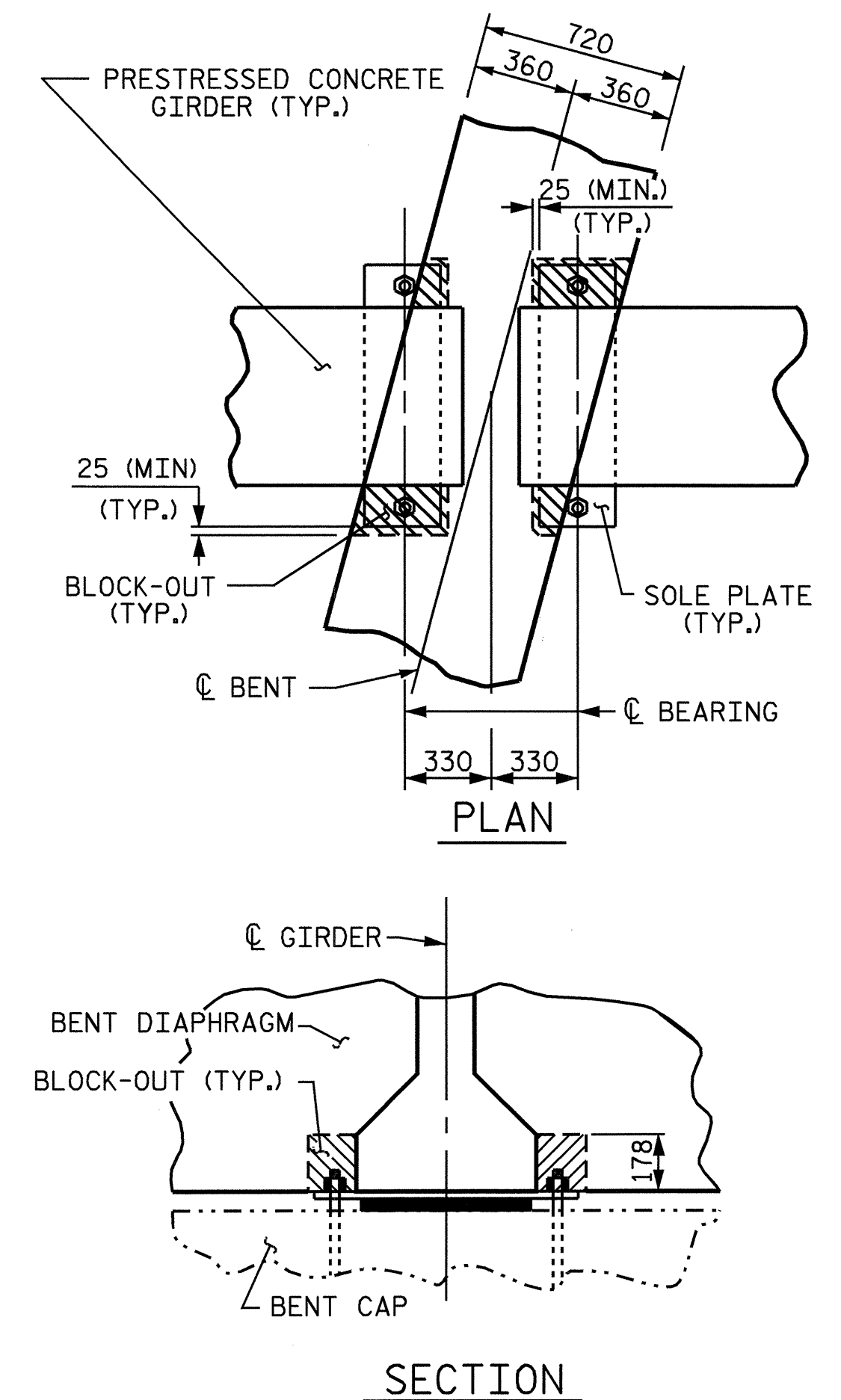


SECTION A-A

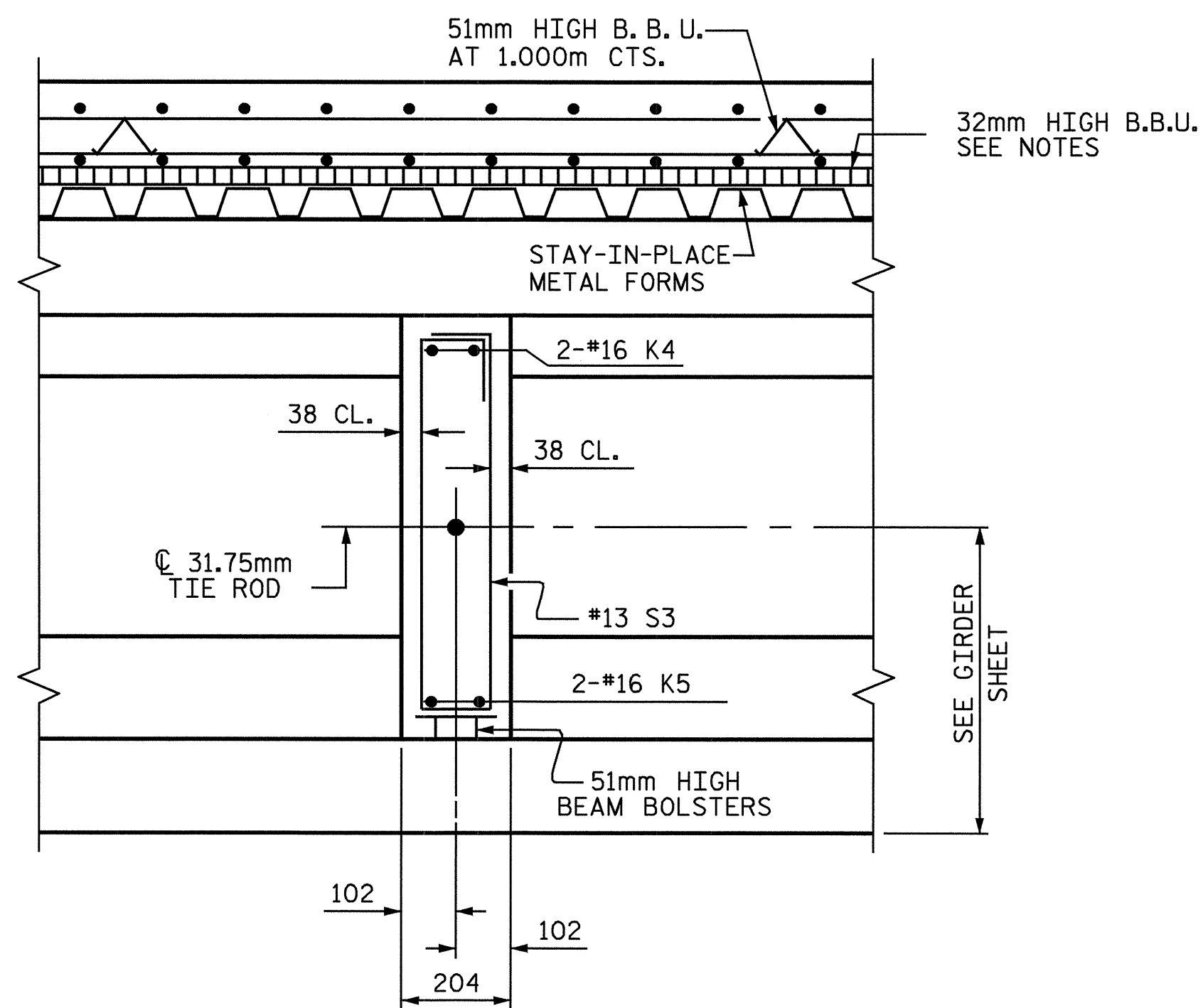
*#16 "G" BAR MAY BE SHIFTED SLIGHTLY, AS NECESSARY, TO CLEAR REINFORCING STEEL AND STIRRUPS.



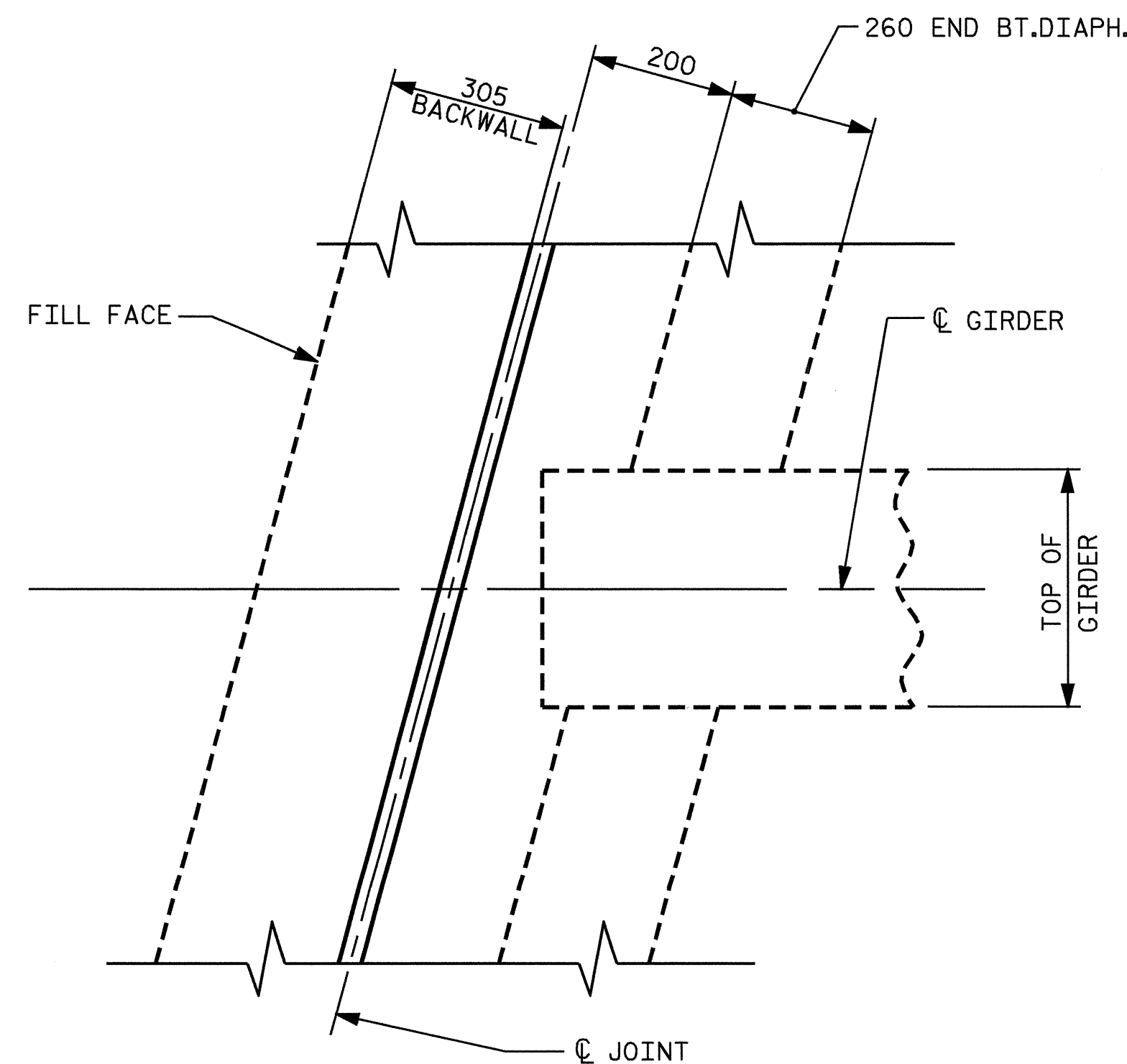
SECTION B-B



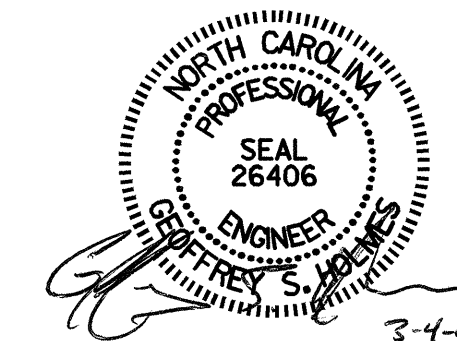
BENT DIAPHRAGM BLOCK-OUT DETAIL



SECTION C-C



PLAN OF GIRDER @ END BENT 1



PROJECT NO. R-2552 B
JOHNSTON COUNTY
 STATION: 14+72.000-Y11-REV.

SHEET 2 OF 2

STATE OF NORTH CAROLINA
 DEPARTMENT OF TRANSPORTATION
 RALEIGH

TYPICAL SECTION
 DETAILS

DRAWN BY: R.D. MARTIN DATE: 8/26/04
 CHECKED BY: H.A. LUCAS DATE: 2/18/05

04-MAR-2005 12:05
 W:\r2552b.ranch_road\r2552b.sd.ts.04.dgn
 gsholmes

REVISIONS						SHEET NO.
NO.	BY:	DATE:	NO.	BY:	DATE:	TOTAL SHEETS
1			3			5-156
2			4			431