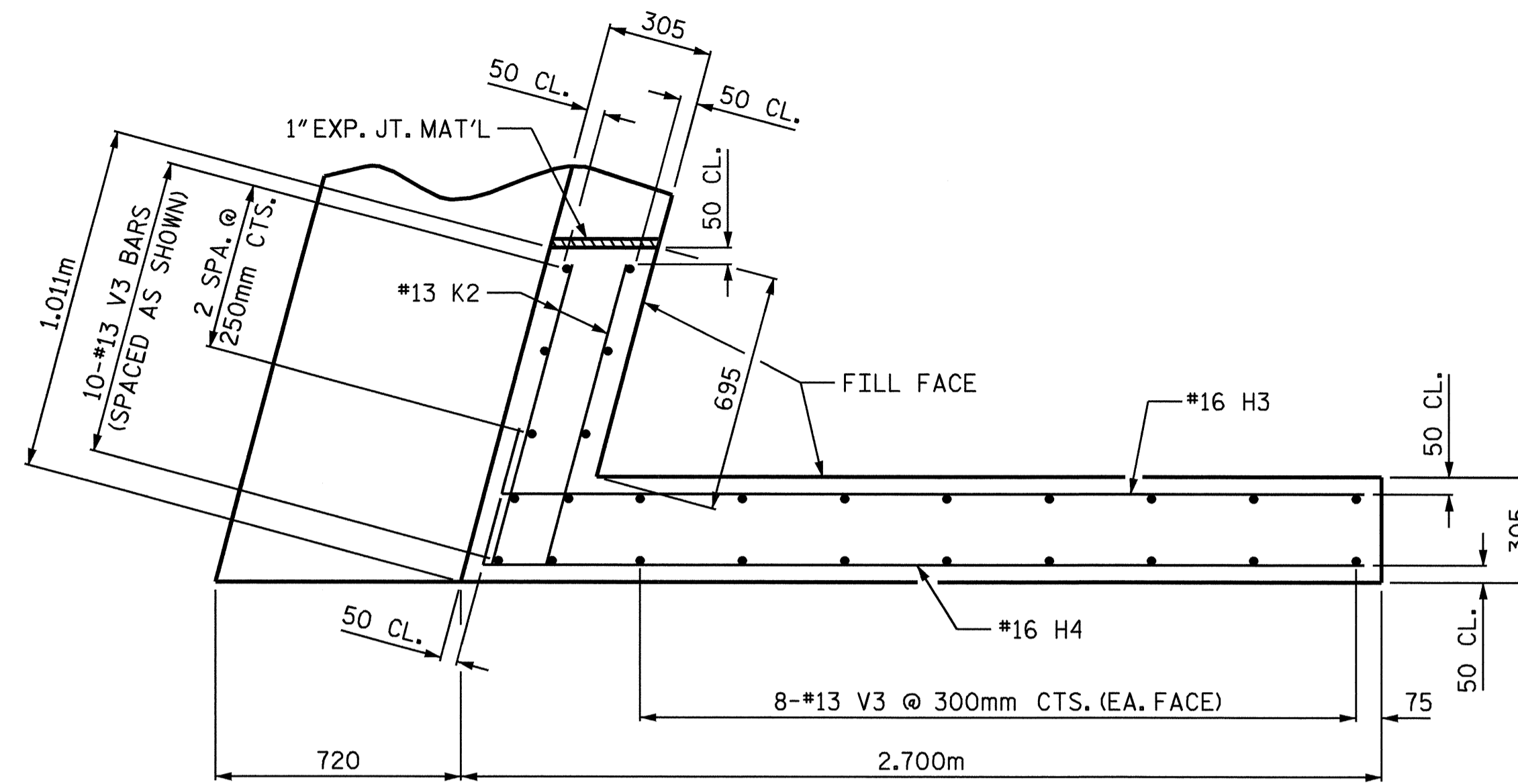
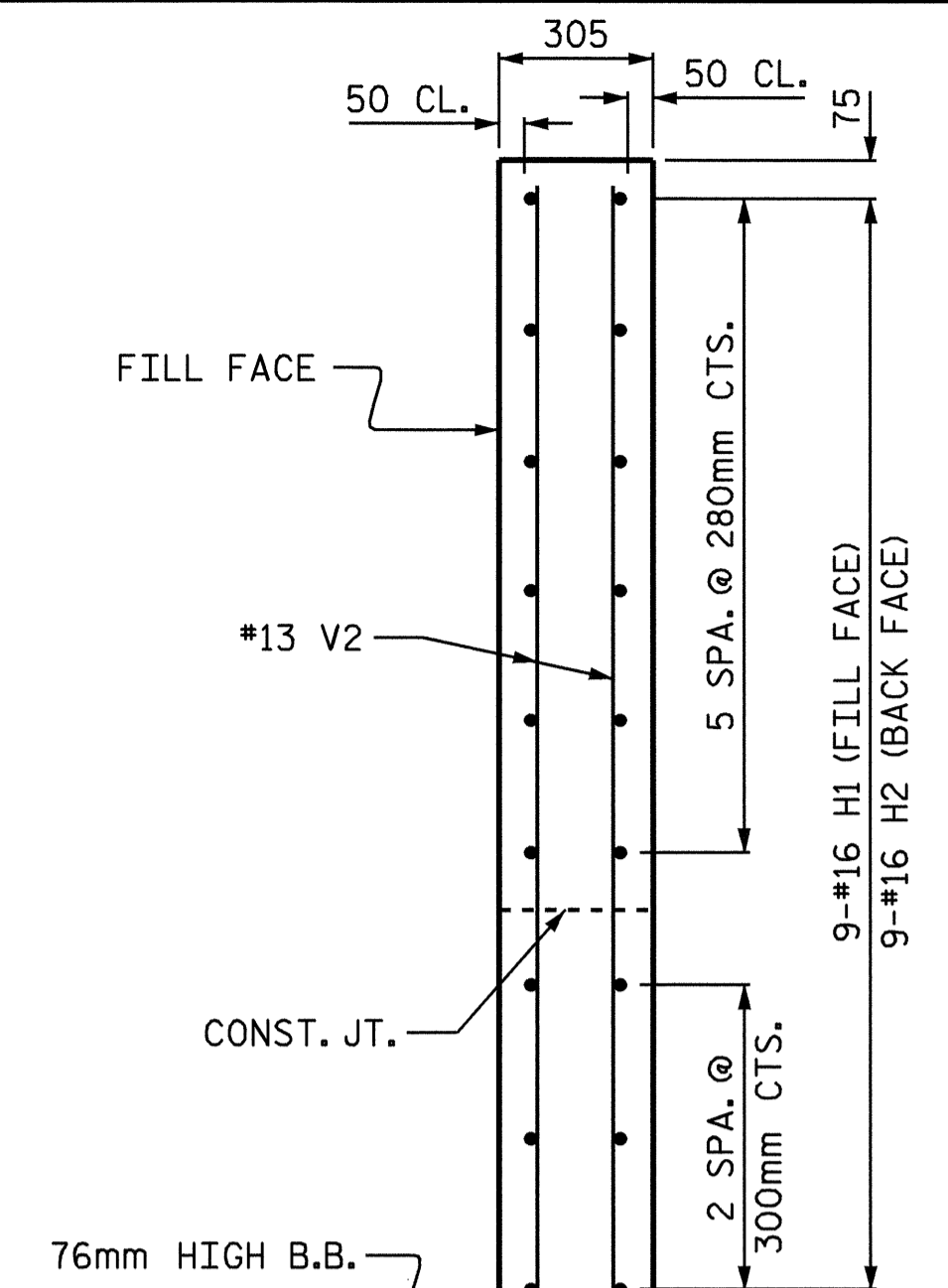


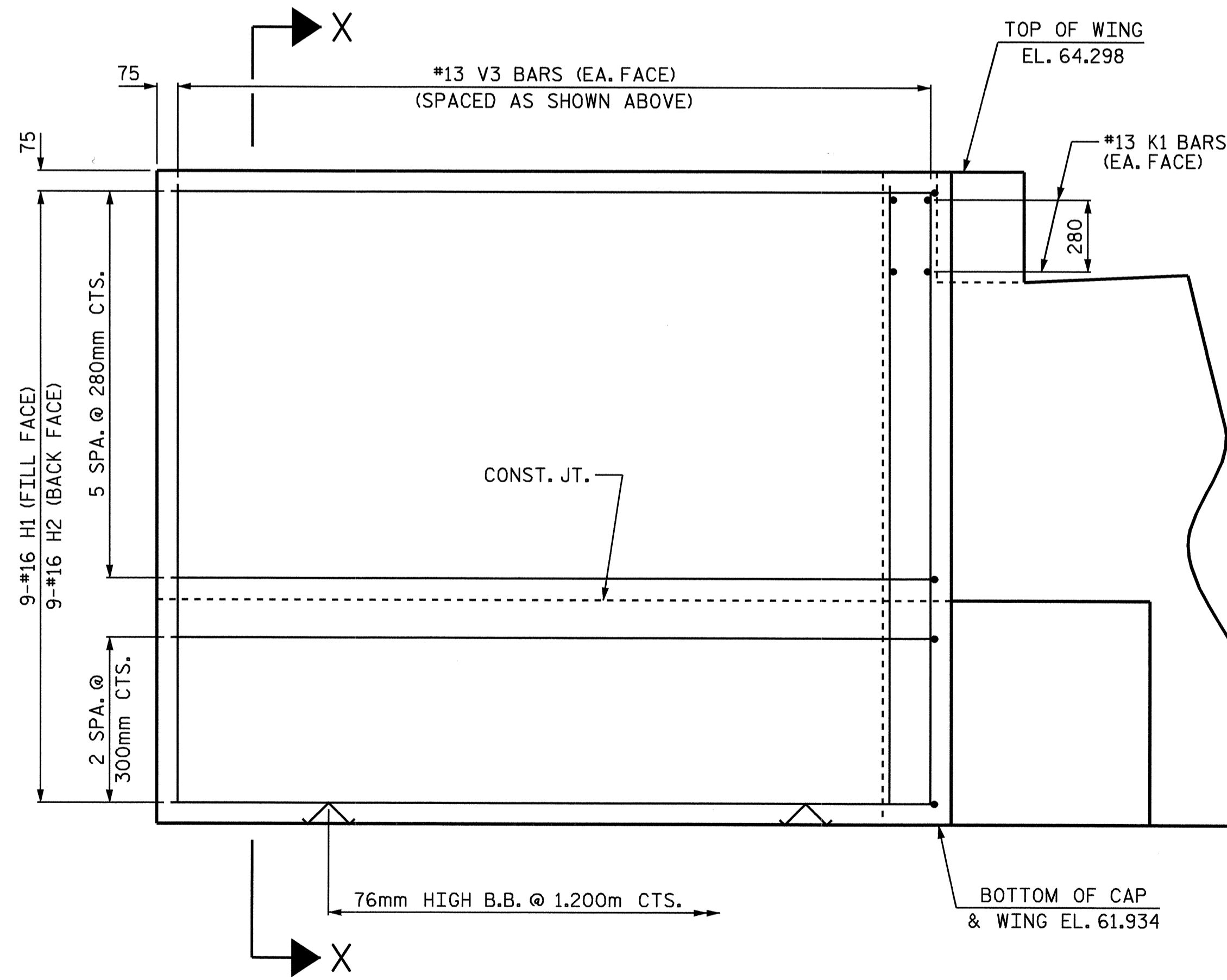
PLAN OF WING (W1)



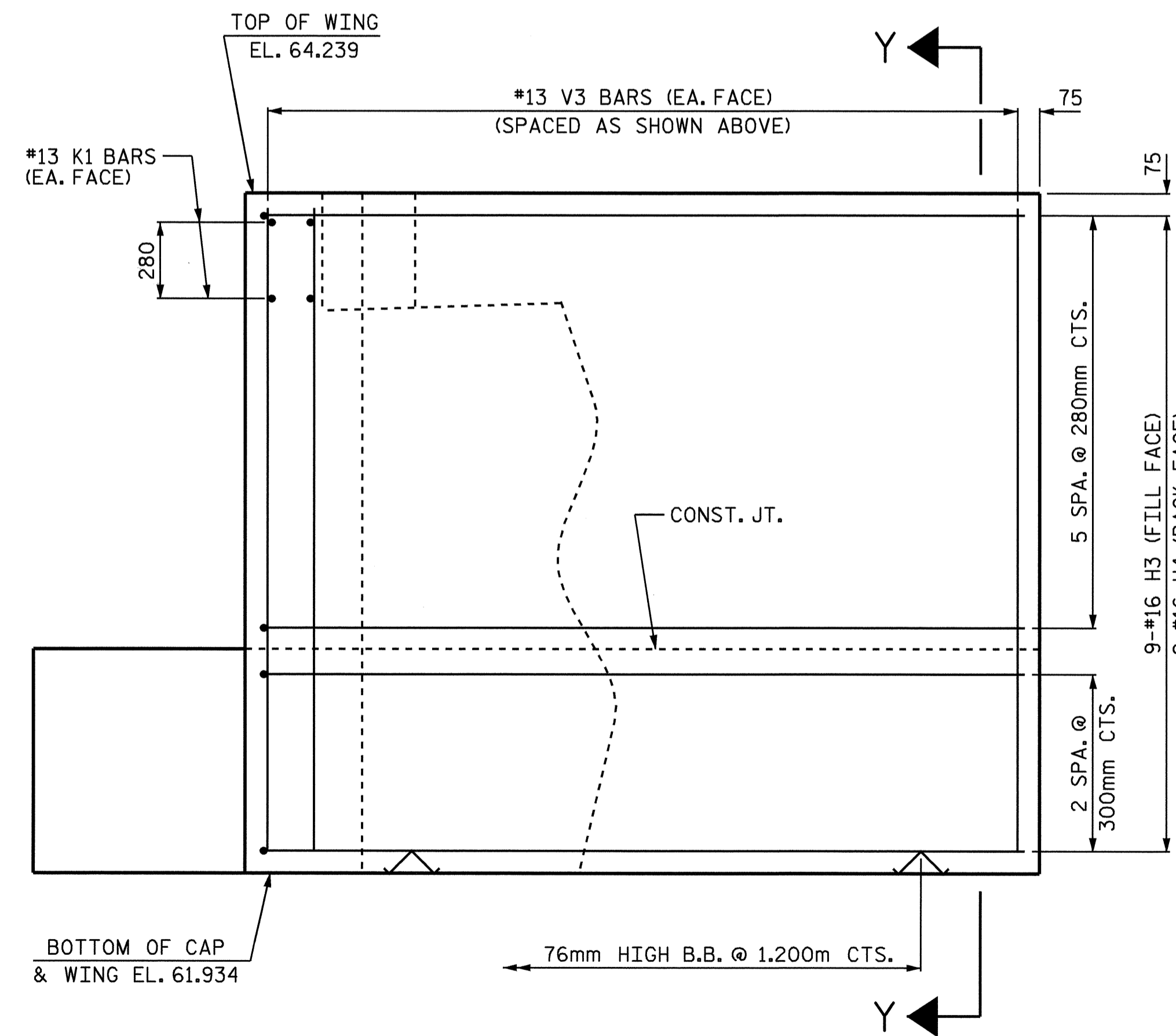
PLAN OF WING (W2)



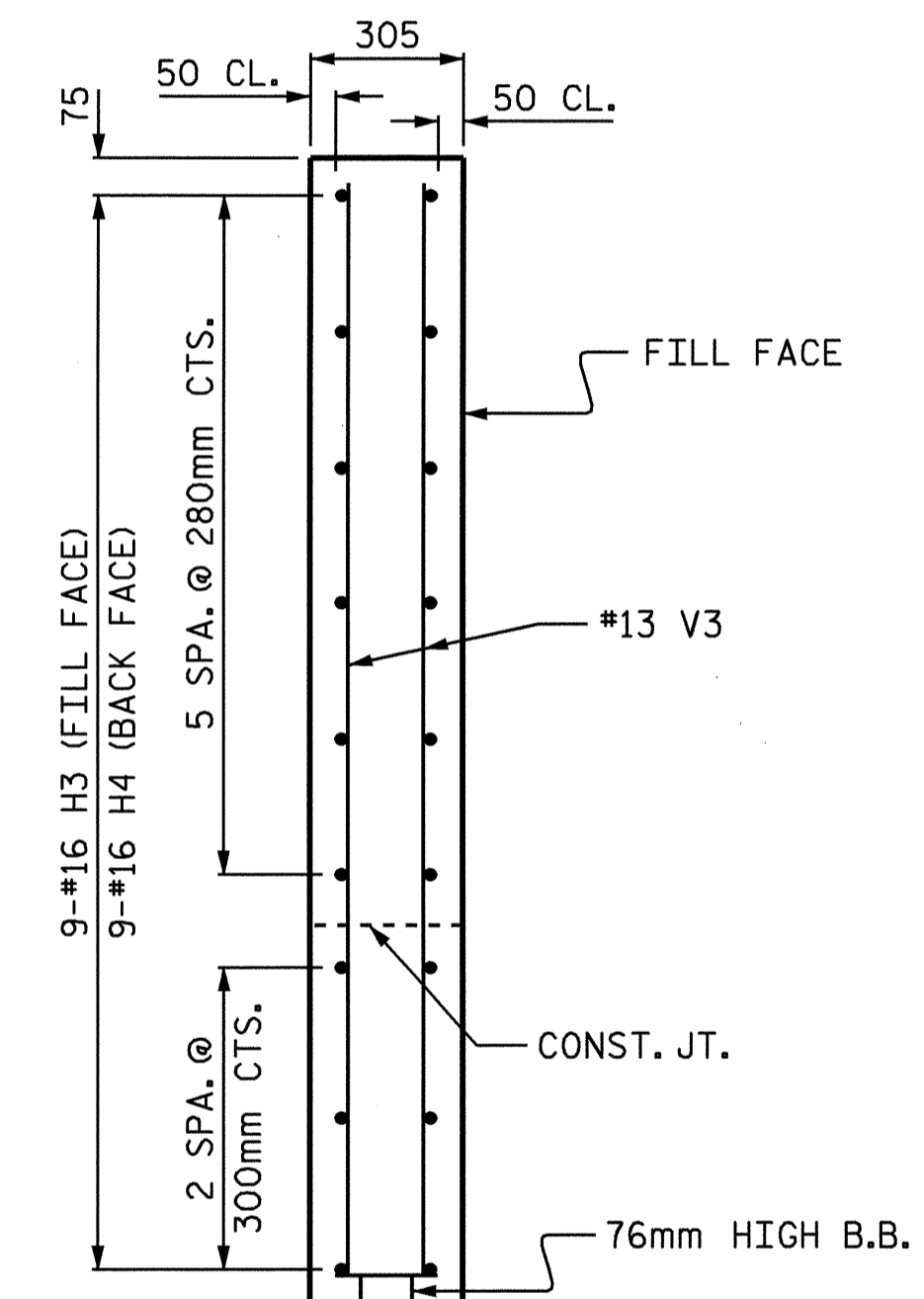
SECTION X-X



ELEVATION OF WING (W1)



ELEVATION OF WING (W2)



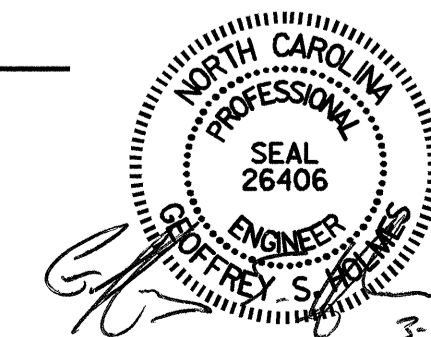
SECTION Y-Y

PROJECT NO. R-2552B
 JOHNSTON COUNTY
 STATION: 14+72.000-Y11-REV.

SHEET 2 OF 3

STATE OF NORTH CAROLINA
 DEPARTMENT OF TRANSPORTATION
 RALEIGH

SUBSTRUCTURE
 END BENT No. 2



DRAWN BY: P.C. BREWER DATE: 8/23/04
 CHECKED BY: H. LUCAS DATE: 9/13/04

04-MAR-2005 11:44
 W:\r2552b_ranch_road\r2552b_sd_eb2_04.dgn
 gsholmes

REVISIONS						SHEET NO.	
NO.	BY:	DATE:	NO.	BY:	DATE:	S-174	
1			3			TOTAL SHEETS	
2			4			431	