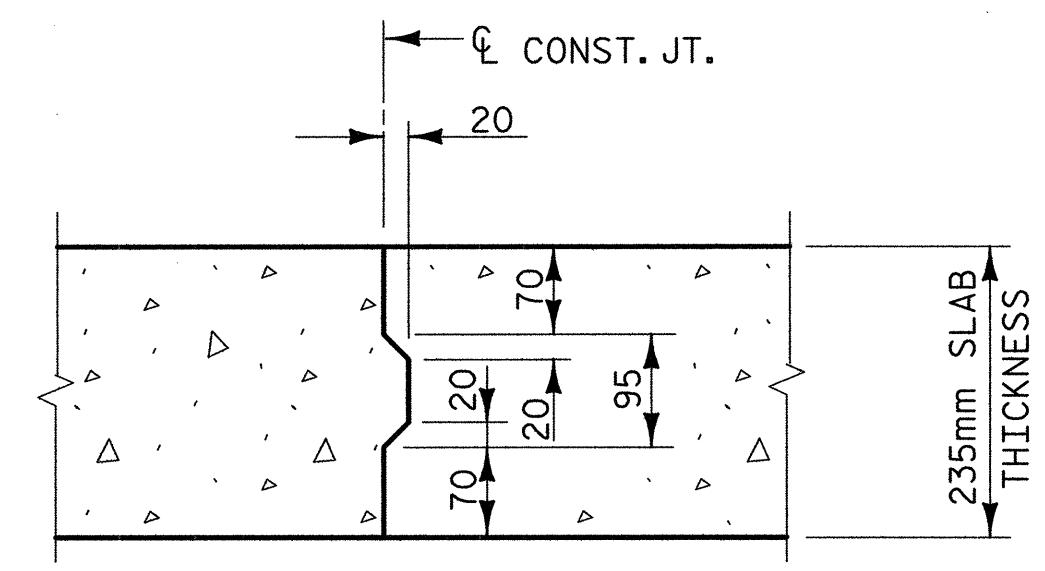


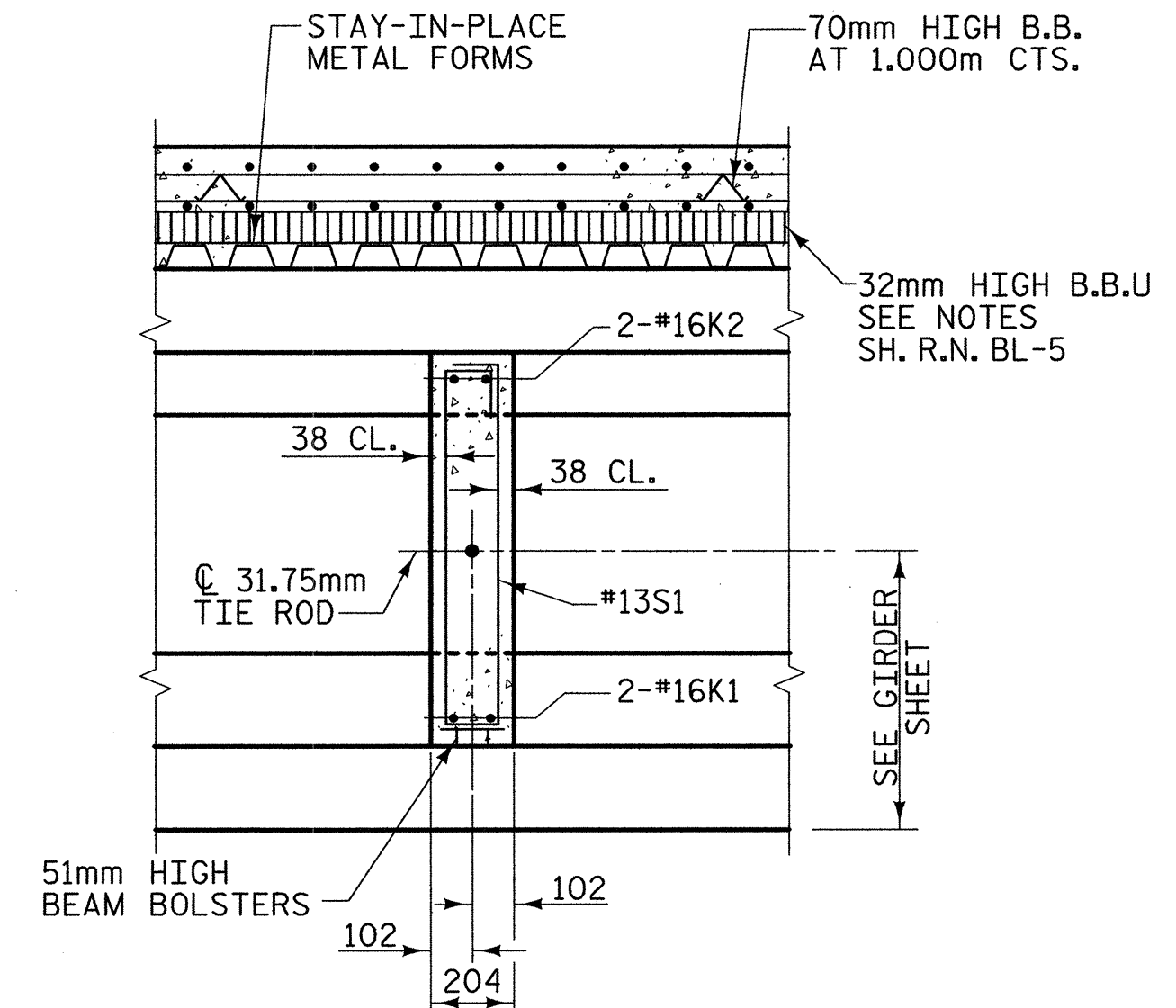
\* EPOXY COATED REINFORCING STEEL  
 † BB HEIGHT SHOWN @ C BEARINGS, VARIES IN SPAN DUE TO CAMBER

**TYPICAL SECTION**  
 (INTERMEDIATE DIAPHRAGMS)



NOTE:  
 REINFORCING STEEL NOT SHOWN FOR CLARITY.  
 LONGITUDINAL REINFORCING STEEL SHALL BE  
 CONTINUOUS THRU JOINT.

**TRANSVERSE CONSTRUCTION JOINT IN DECK SLAB**



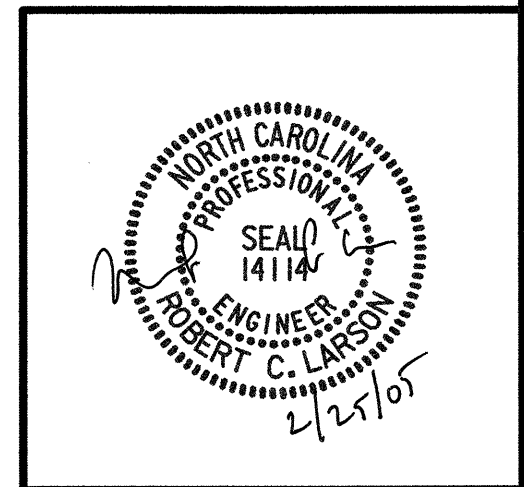
**SECTION D-D**



PROJECT NO. R-2552C  
JOHNSTON COUNTY  
 STATION: 109+56.000 -L2LT- POT

SHEET 2 OF 2

STATE OF NORTH CAROLINA  
 DEPARTMENT OF TRANSPORTATION  
 RALEIGH  
**SUPERSTRUCTURE  
 TYPICAL SECTION  
 (LEFT LANE)**



REVISIONS						SHEET NO.
NO.	BY:	DATE:	NO.	BY:	DATE:	TOTAL SHEETS
1			3			431
2			4			

REFERENCE NO. BL-6

02/21/2005 06:56:32 AM P:\Structures\She IN\Left Lane\R2552C-SD-TS-02.dgn

DRAWN BY: W. B. ALLEN DATE: 6/04  
 CHECKED BY: R. C. LARSON DATE: 10/04