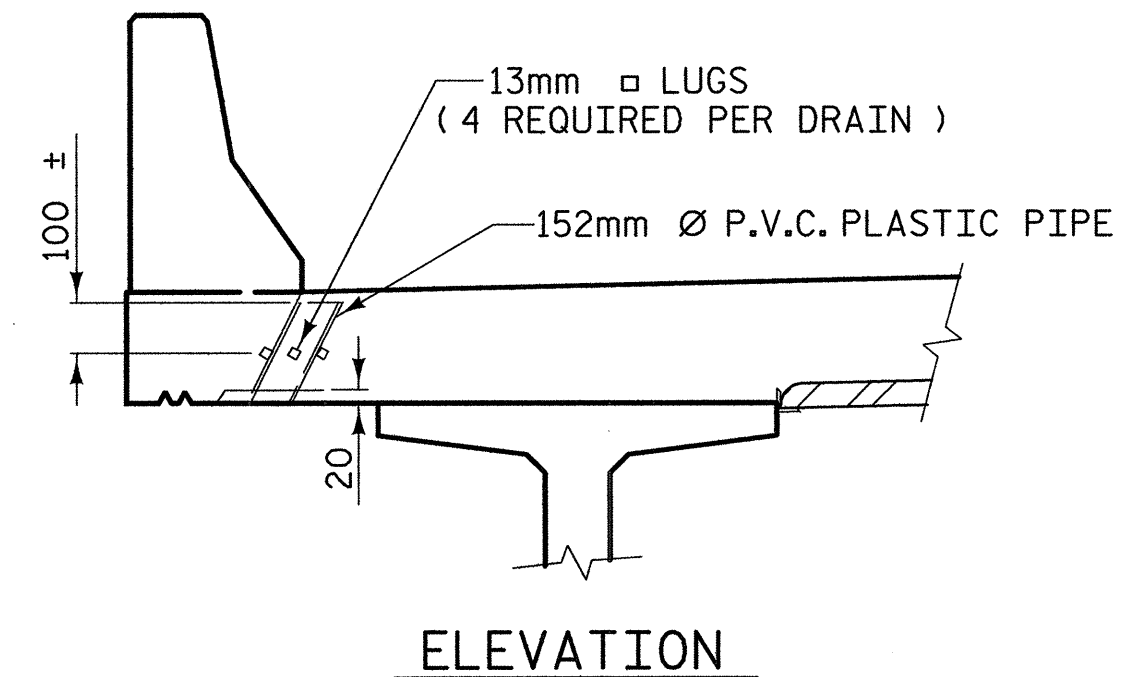


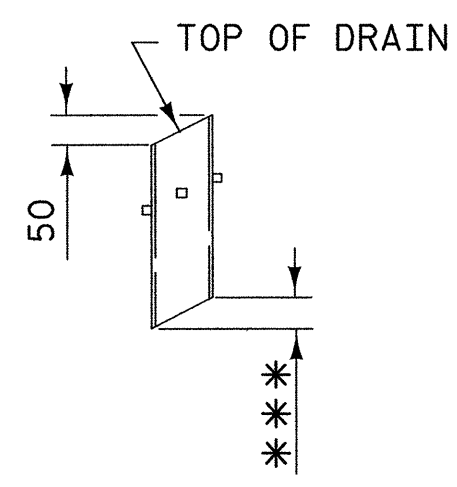
NOTES:

- † RADIAL TO C -L2RT-
- †† BB & CHC HEIGHT SHOWN @ C BEARINGS VARIES IN SPAN DUE TO CAMBER
- ** DIMENSIONS SHOWN ARE RADIAL TO ARCS CONCENTRIC WITH C -L2RT-. GIRDERS ARE ON CHORDS OF CONCENTRIC ARCS.
- * EPOXY COATED REINFORCING STEEL

TYPICAL SECTION C & D
(INTERMEDIATE DIAPHRAGMS)

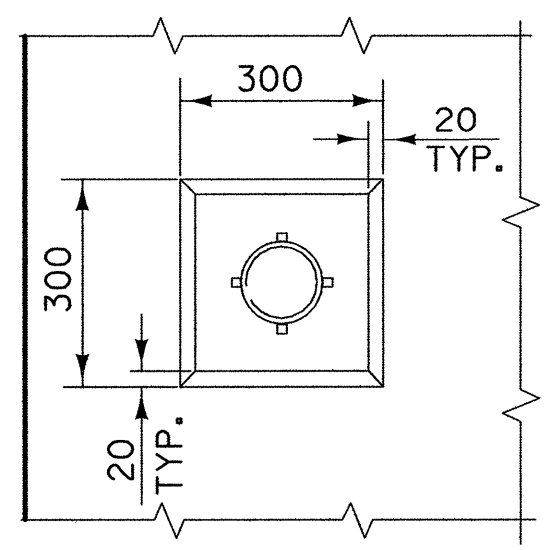


ELEVATION



PIPE DETAIL

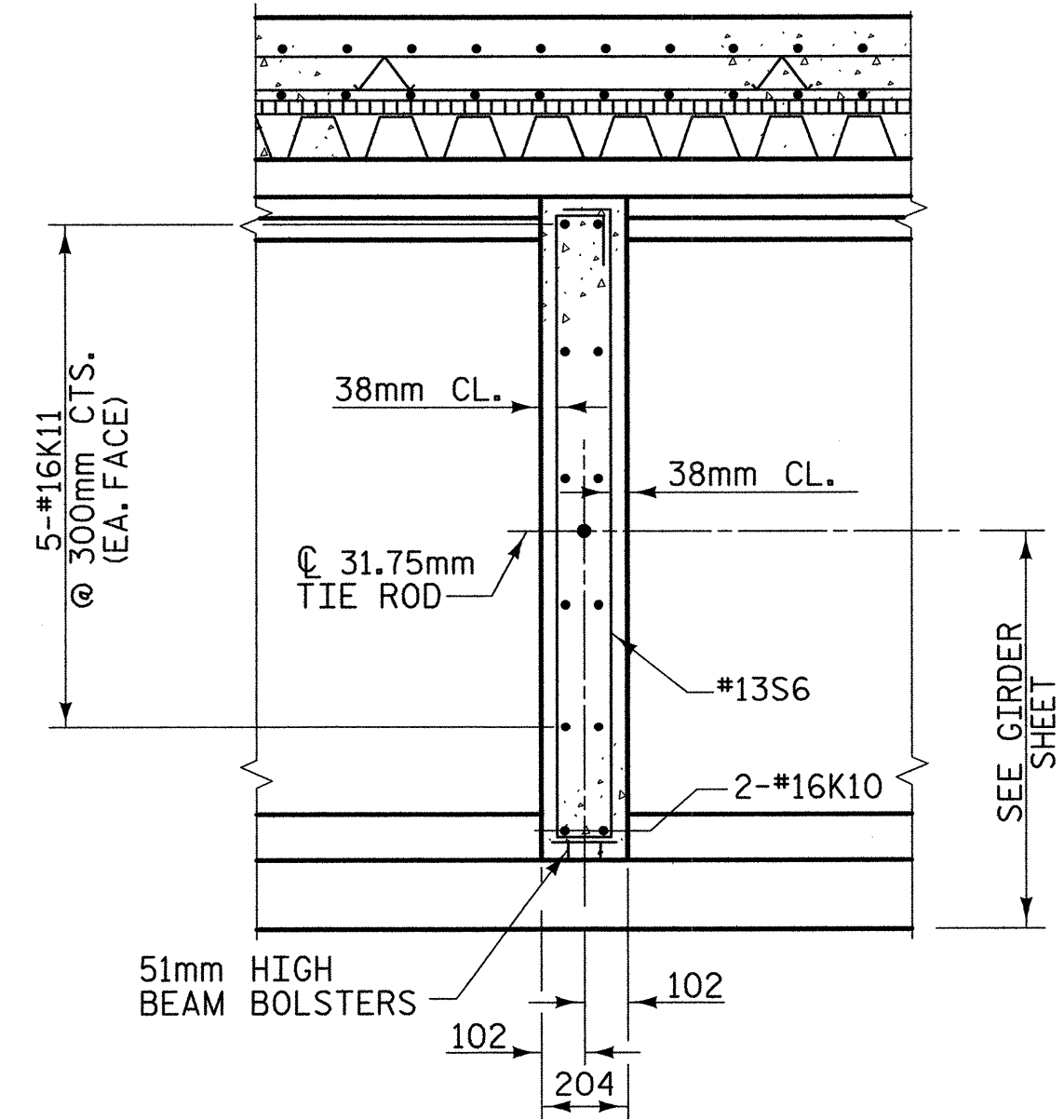
*** TO BE SET TO MATCH SLOPE OF BOTTOM OF OVERHANG (20 DRAINS REQUIRED)



PLAN OF RECESS

TOP OF FLOOR DRAINS TO BE SET 10mm BELOW SURFACE OF SLAB.
4 - 13mm □ LUGS TO BE GLUED TO THE P.V.C. PLASTIC PIPE AT EQUAL SPACES AROUND THE PIPE DRAIN.
THE 152mm Ø PVC PIPE SHALL BE SCHEDULE 40 AND CONFORM TO ASTM D1785.

DRAIN DETAILS



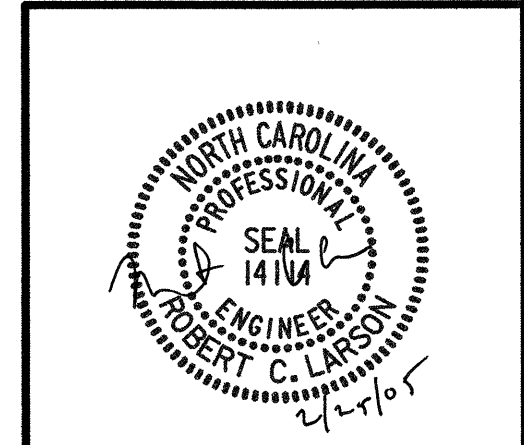
SECTION I-I



PROJECT NO. R-2552C
JOHNSTON COUNTY
STATION: 110+37.000 -L2RT- POC

SHEET 4 OF 4

STATE OF NORTH CAROLINA
DEPARTMENT OF TRANSPORTATION
RALEIGH
SUPERSTRUCTURE
TYPICAL SECTION
(RIGHT LANE)



REVISIONS				SHEET NO.	
NO.	BY:	DATE:	NO.	BY:	DATE:
1			3		
2			4		

TOTAL SHEETS: 43

REFERENCE NO. BR-9

02/21/2005 01:49:56 AM G:\projects\2004\23-00R-2552\STRUCTURES\She I\Right Lane\N2552C.LD_TS_04.dgn

DRAWN BY: W. B. ALLEN DATE: 10/04
CHECKED BY: R. C. LARSON DATE: 11/04