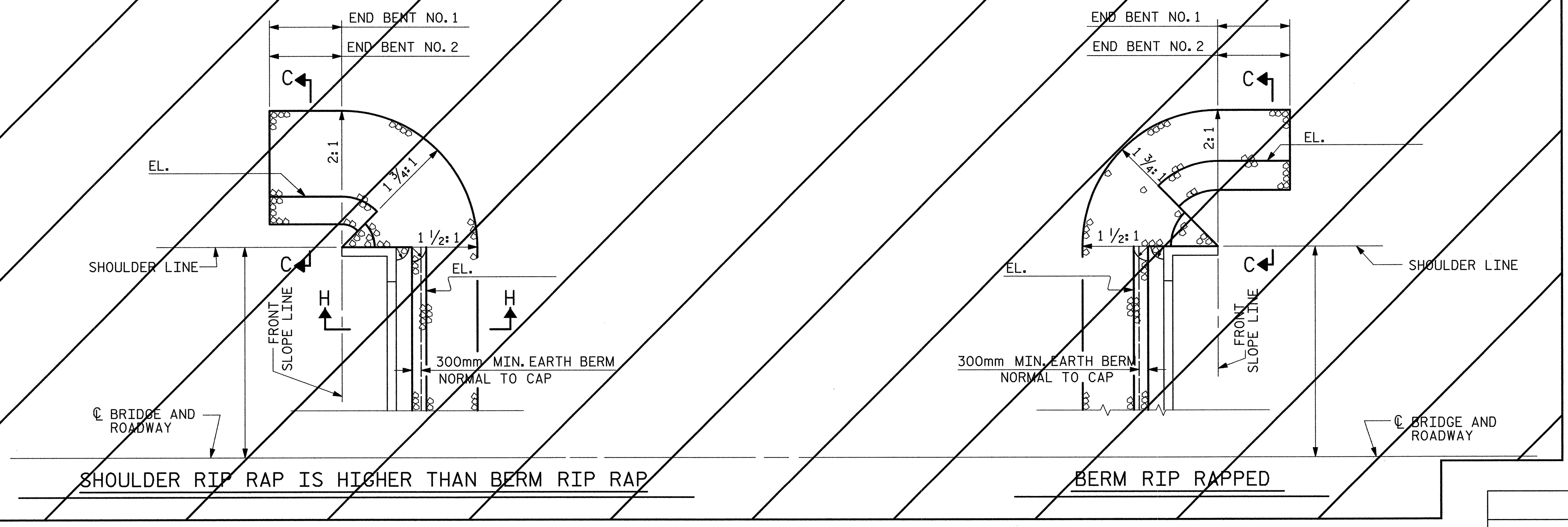
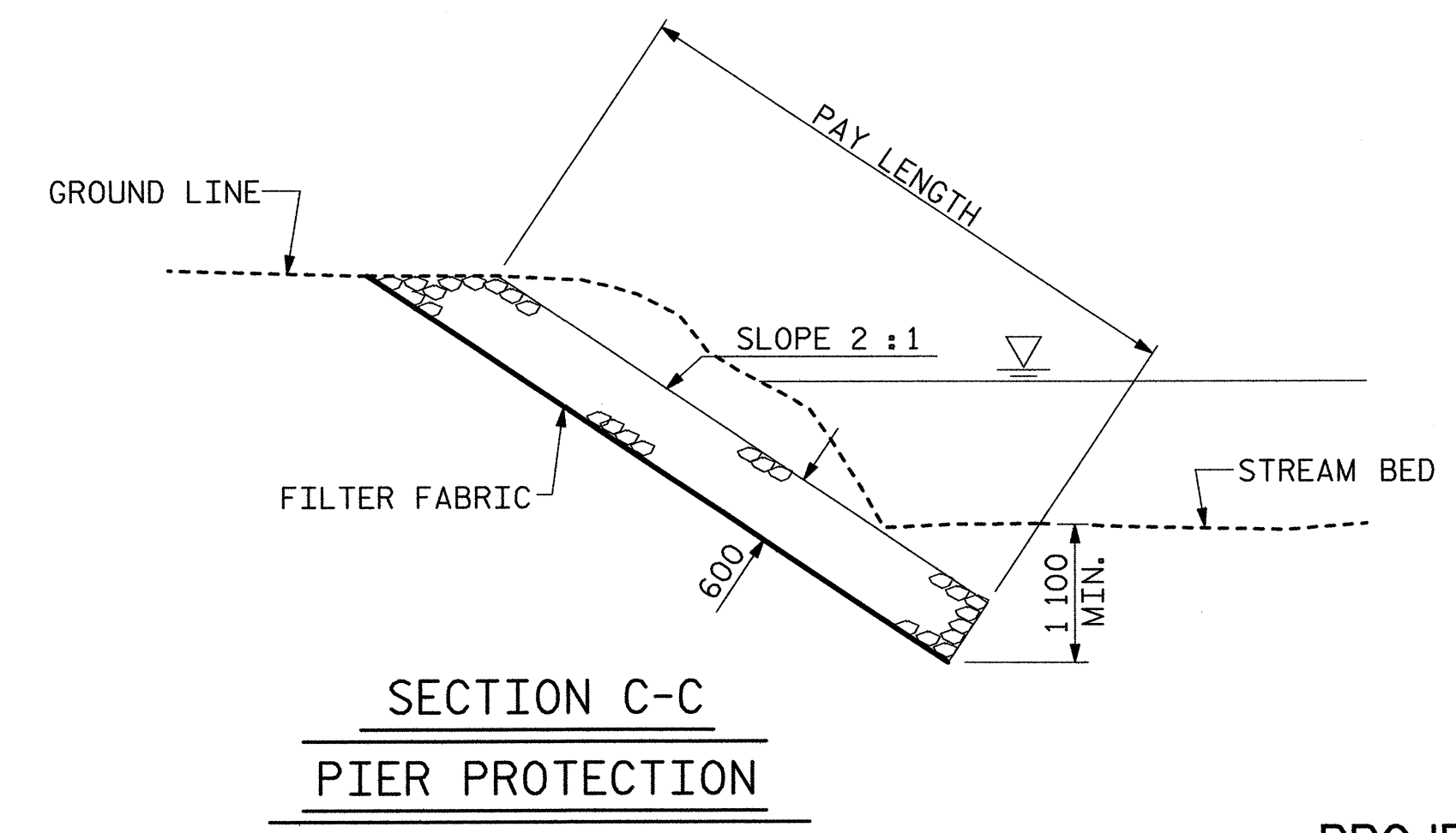
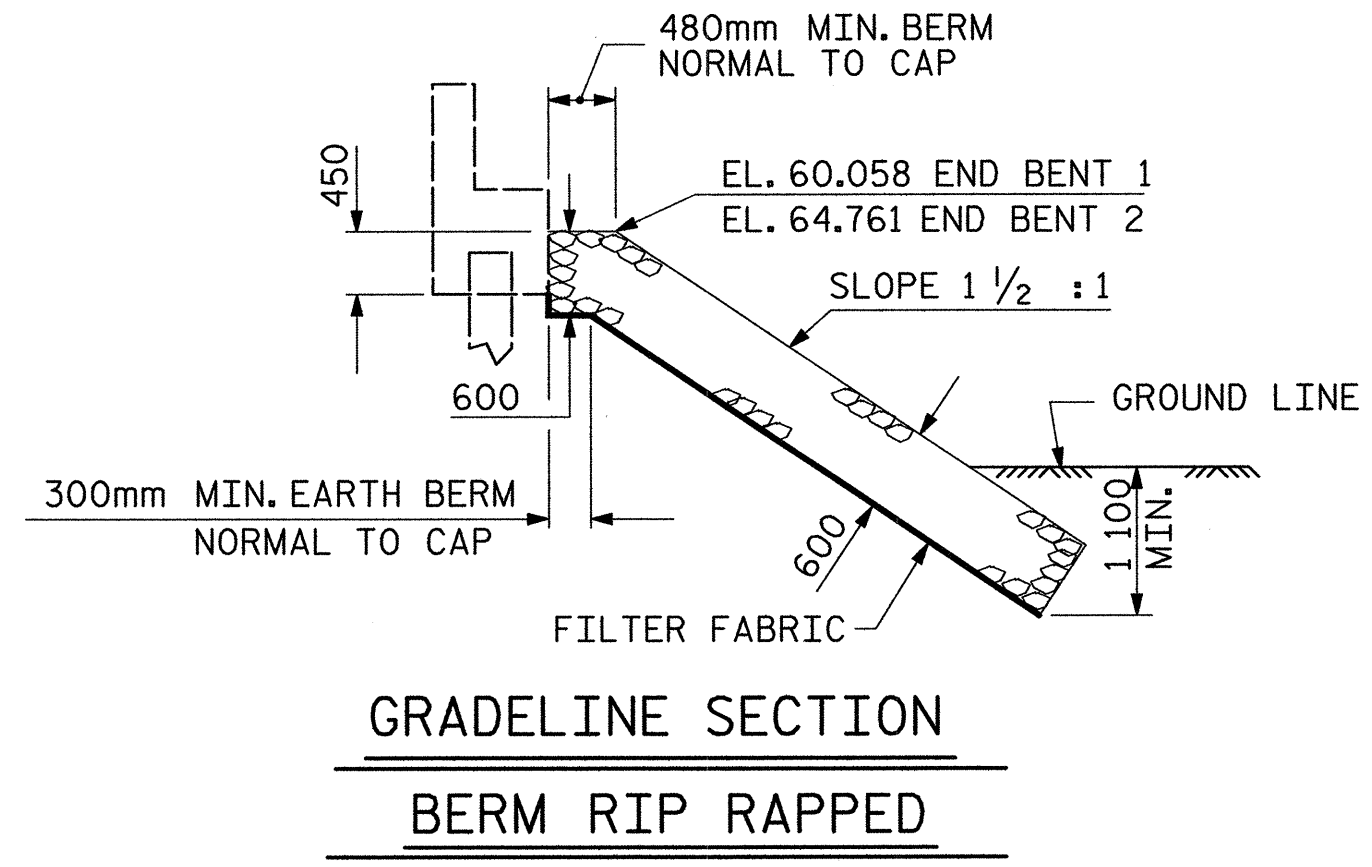
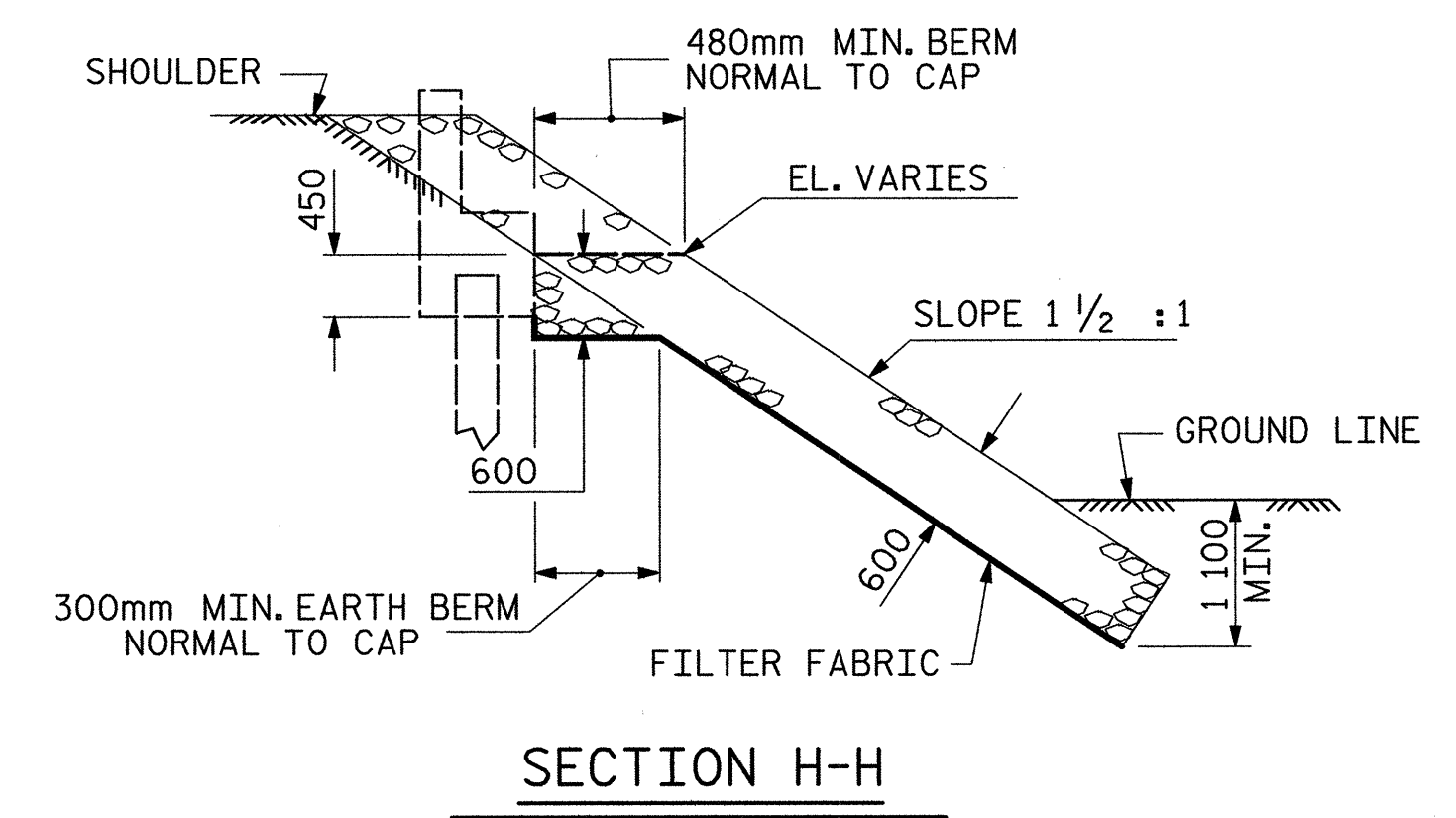


NOTES :
FOR BERM WIDTH DIMENSIONS, SEE GENERAL DRAWING.



| ESTIMATED QUANTITIES | | |
|--|--------------------------|-------------------------------|
| BRIDGE @ STA. 110+37.000 -L2RT- (RIGHT LANE) | PLAIN RIP RAP CLASS I | FILTER FABRIC FOR DRAINAGE |
| | METRIC TON | SQUARE METERS |
| END BENT 1 | 1000 | 1000 |
| BENT 2 | 90 | 90 |
| END BENT 2 | 1225 | 1225 |



PROJECT NO. R-2552C
JOHNSTON COUNTY
STATION: 110+37.000 -L2RT- POC

SHEET 2 OF 2

STATE OF NORTH CAROLINA
DEPARTMENT OF TRANSPORTATION
RALEIGH

STANDARD
RIP RAP DETAILS
(RIGHT LANE)
STD. NO. RR2SM

| REVISIONS | | | | | SHEET NO. |
|-----------|-----|-------|-----|-----|-----------|
| NO. | BY: | DATE: | NO. | BY: | DATE: |
| 1 | | | 3 | | |
| 2 | | | 4 | | |

TOTAL SHEETS: 431

THIS STANDARD DRAWING REVIEWED & ADOPTED FOR USE AT THE REFERENCED LOCATION BY THE UNDERSIGNED:

REFERENCE NO. BR-36

PLANS PREPARED BY:

G:\Projects\2004\23-00R-2552C\Structures\Site\Right_Lane\RR2SM_C_Sheet\RR_02.dgn 08/08/05 08:08:11 AM

ASSEMBLED BY : W. B. ALLEN DATE : 1/05
CHECKED BY : R. C. LARSON DATE : 1/05
DRAWN BY : FCJ 2/88 REV. 7/17/98 REK/RWW
CHECKED BY : ARB 8/88 REV. 8/16/99 RWW/LES
REV. 10/17/00 RWW/LES