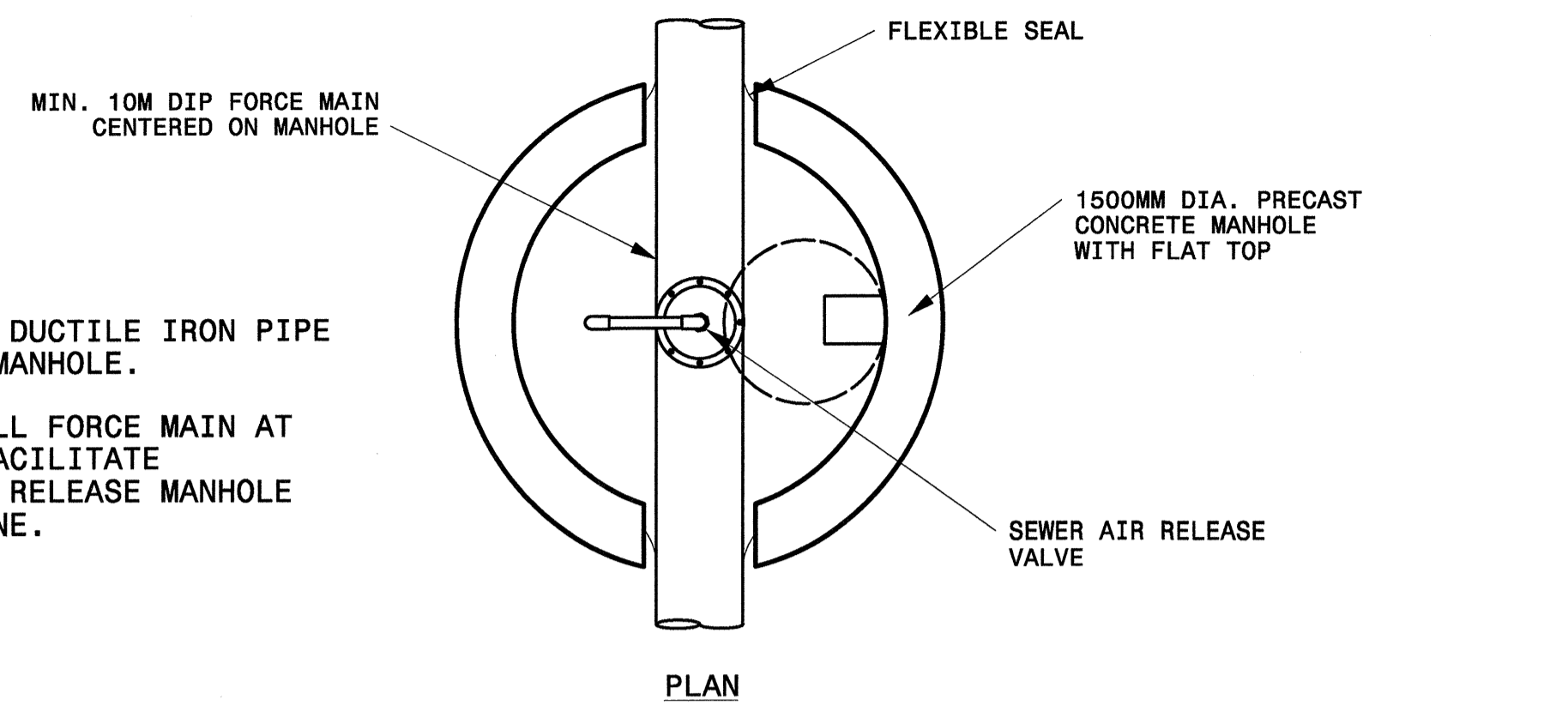
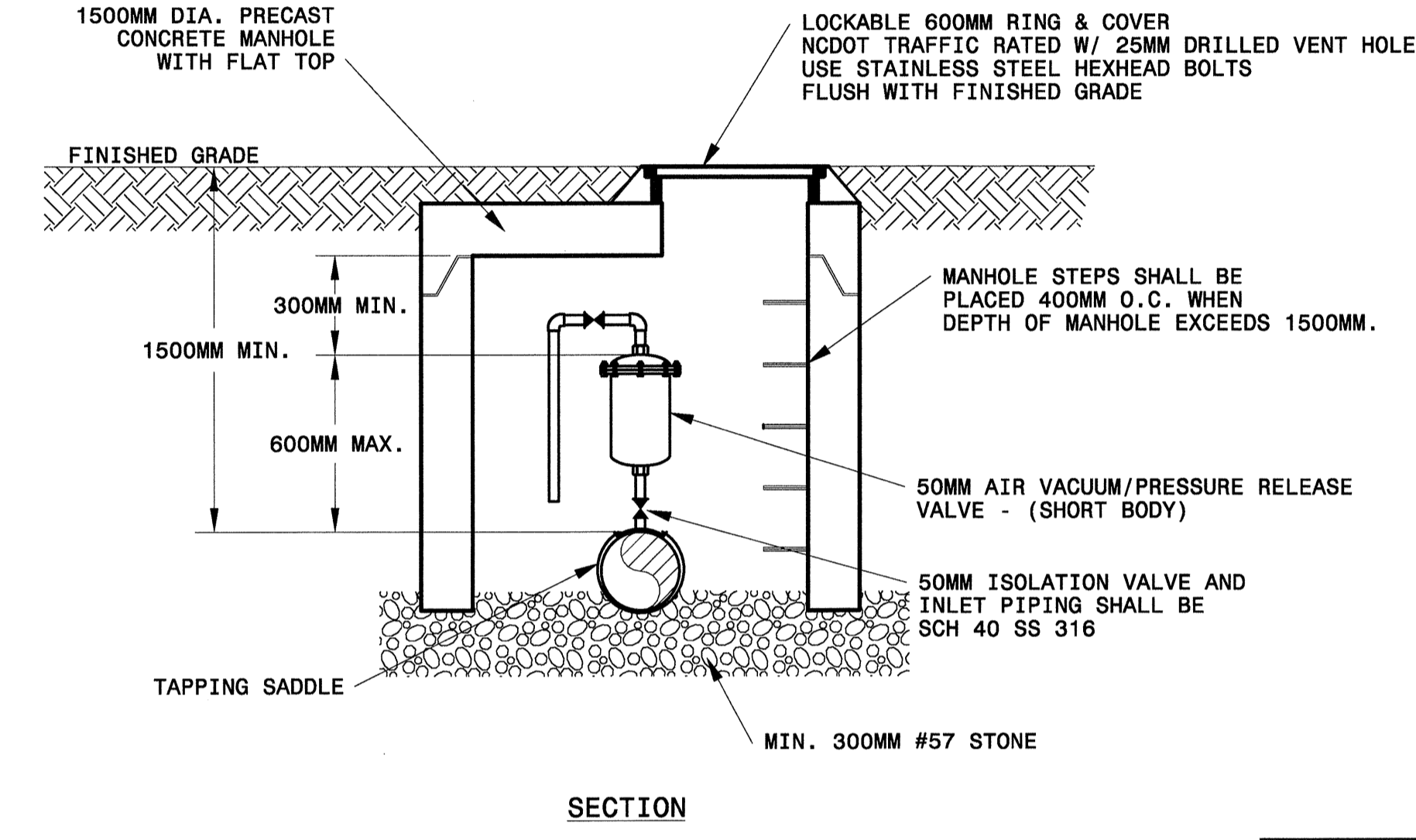
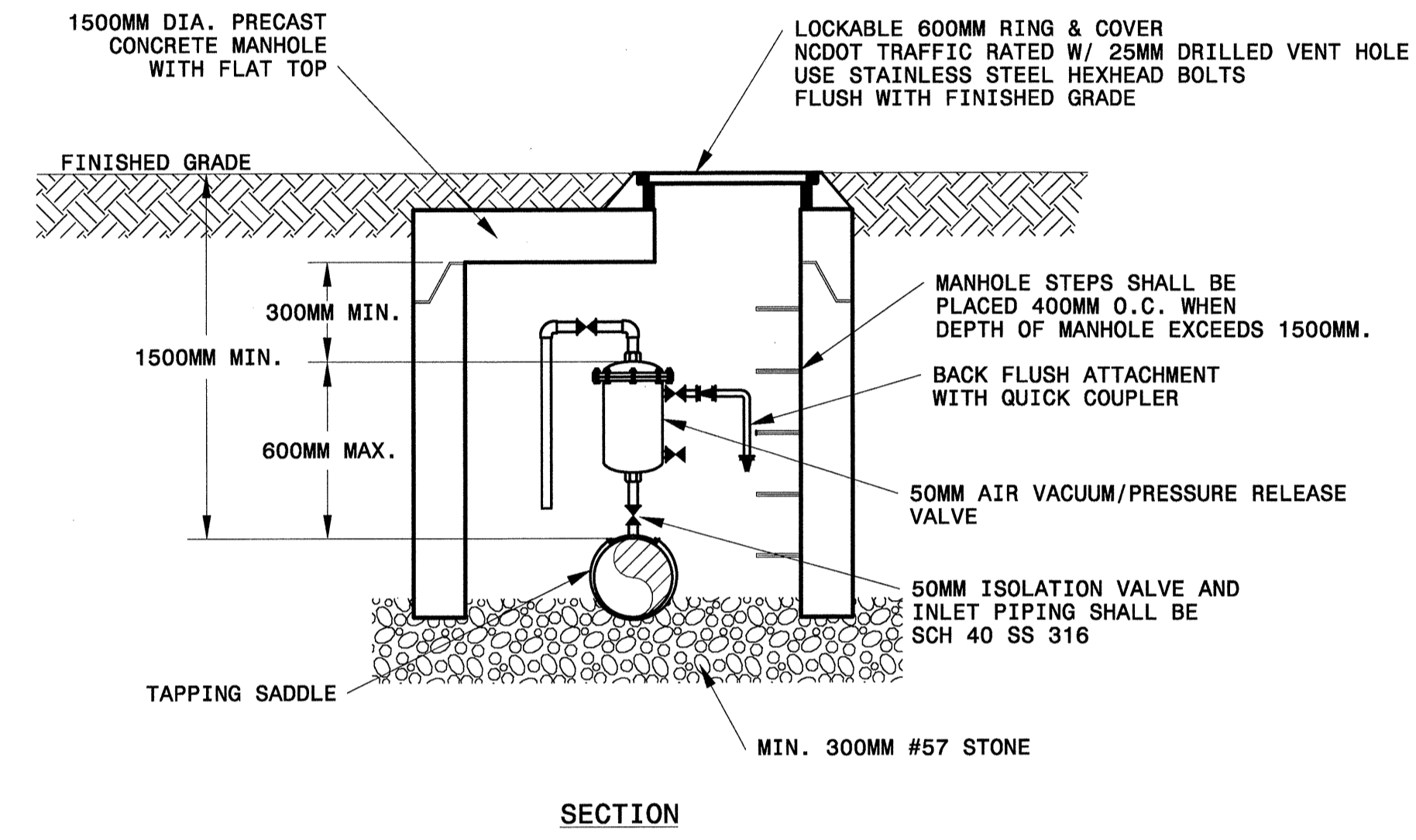
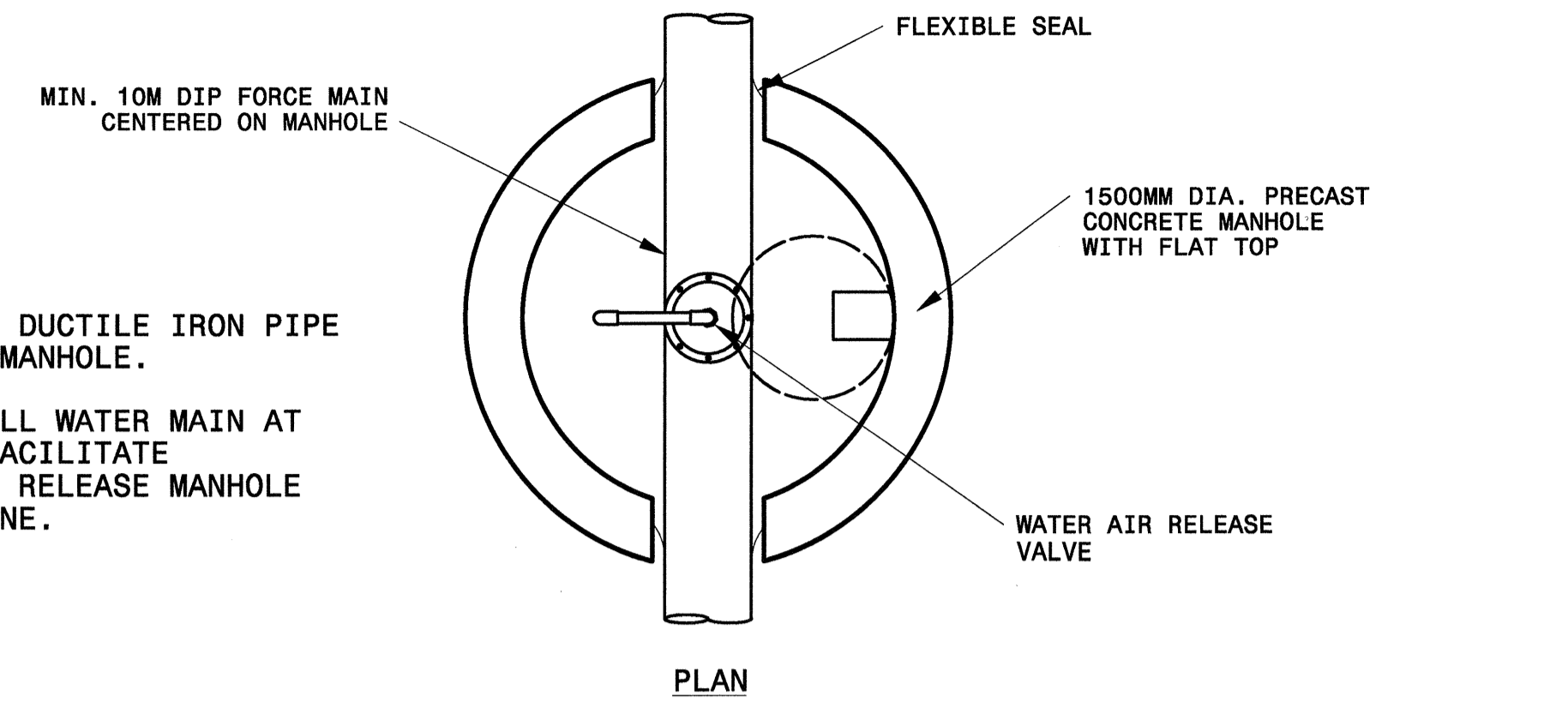


- NOTES:
- FORCE MAIN SHALL BE DUCTILE IRON PIPE 3M CENTERED ACROSS MANHOLE.
 - CONTRACTOR TO INSTALL FORCE MAIN AT DEPTH REQUIRED TO FACILITATE INSTALLATION OF AIR RELEASE MANHOLE AT HIGH POINT OF LINE.

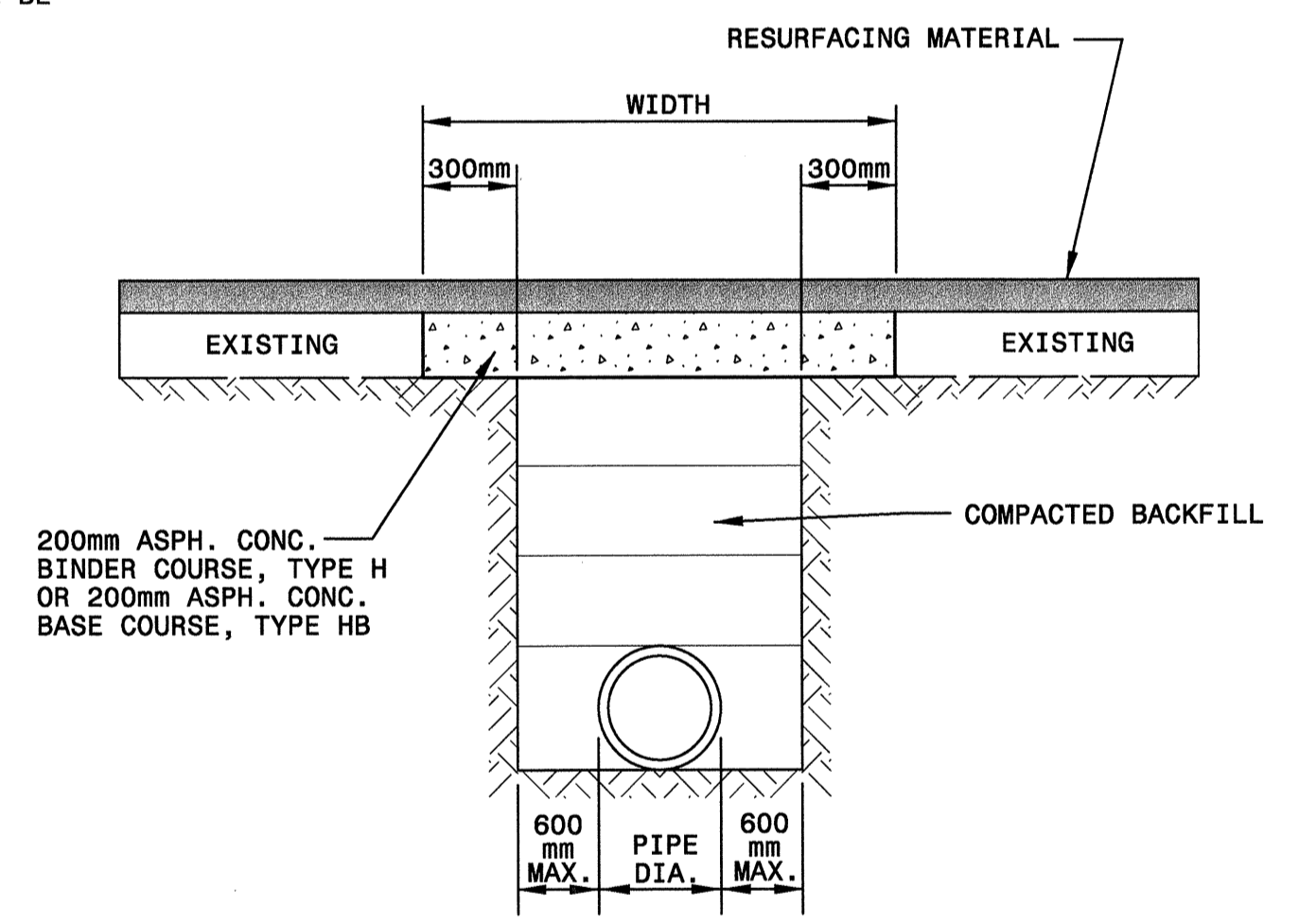


- NOTES:
- WATER MAIN SHALL BE DUCTILE IRON PIPE 3M CENTERED ACROSS MANHOLE.
 - CONTRACTOR TO INSTALL WATER MAIN AT DEPTH REQUIRED TO FACILITATE INSTALLATION OF AIR RELEASE MANHOLE AT HIGH POINT OF LINE.

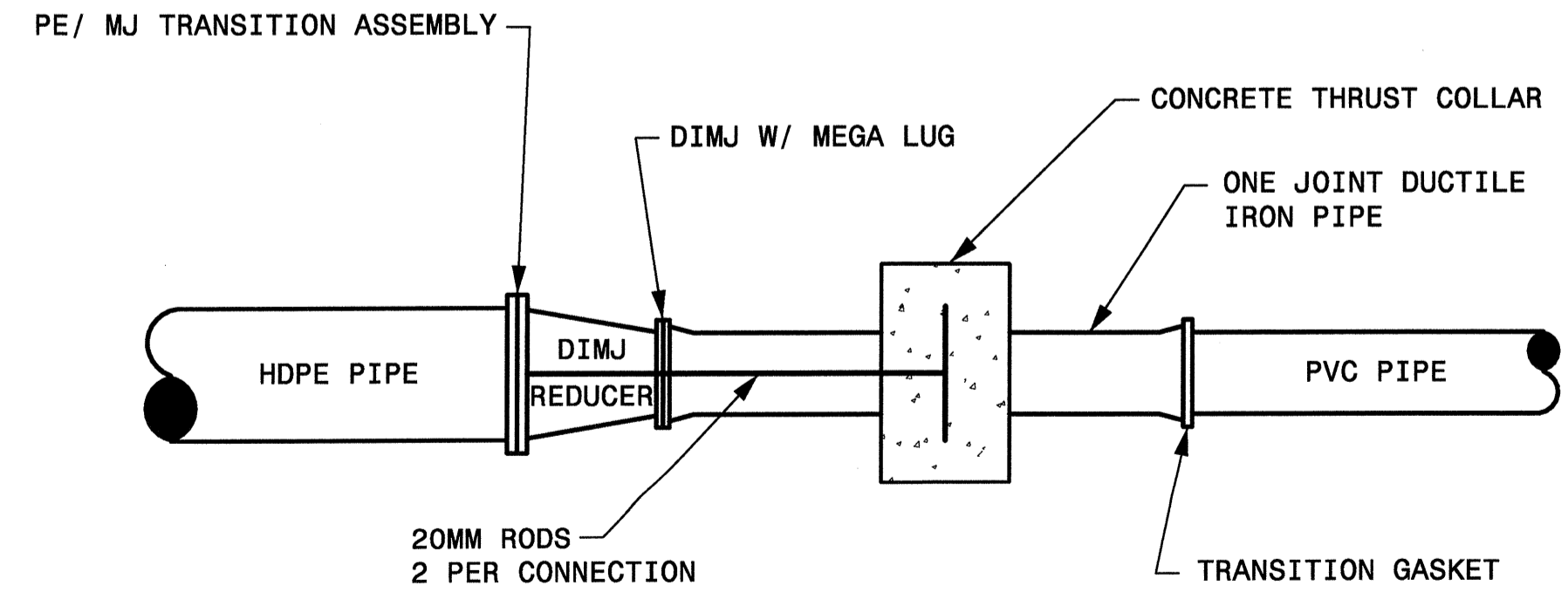


AIR VACUUM/RELEASE MANHOLE FOR FORCE MAIN

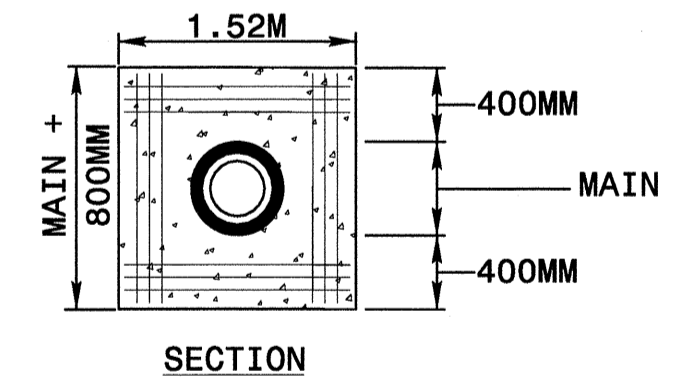
STANDARD AIR RELEASE MANHOLE FOR WATER MAIN



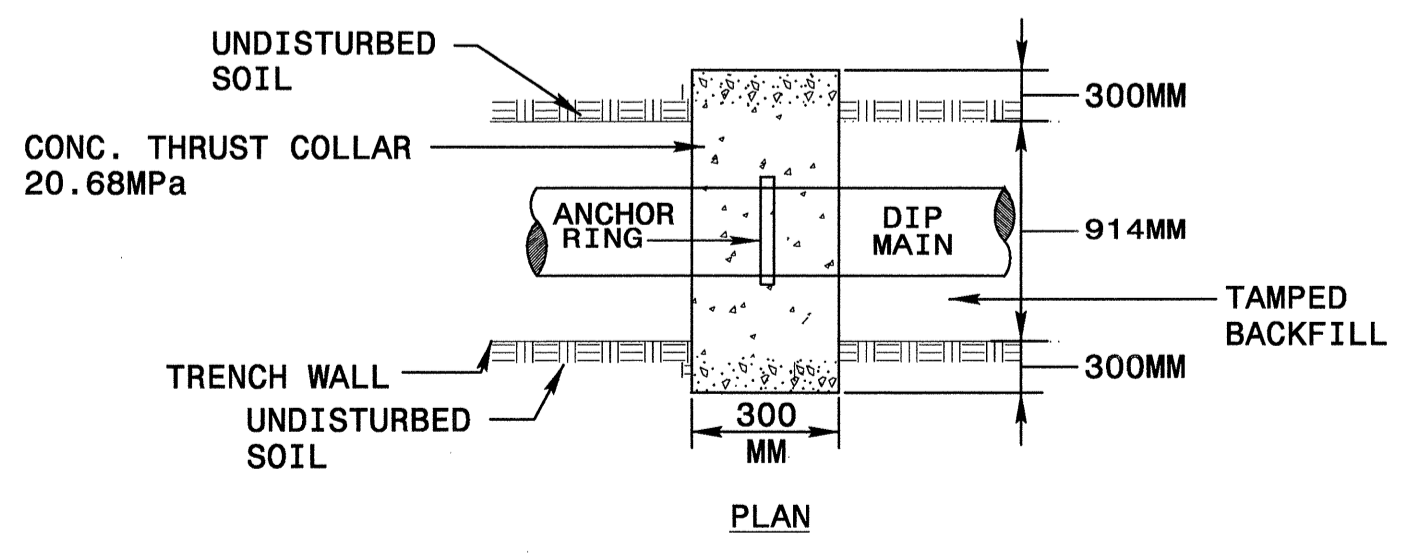
PAVEMENT REPAIR DETAIL



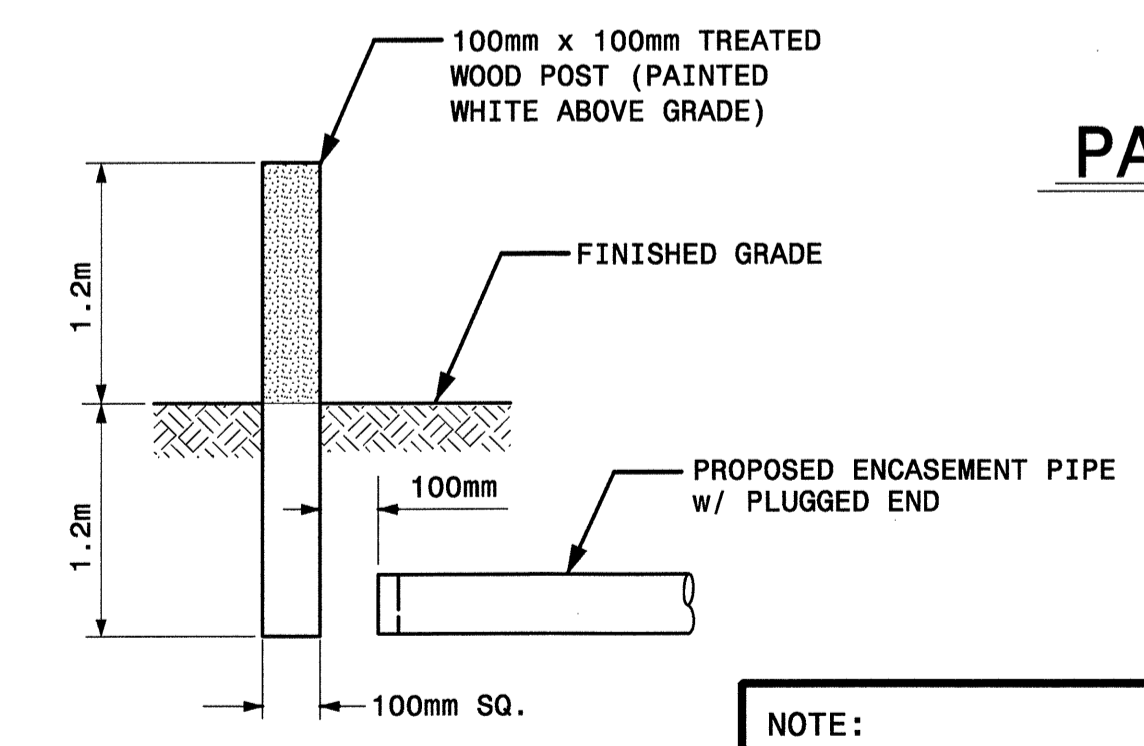
DIRECTIONAL BORE PIPING CONNECTION ASSEMBLY DETAIL



REINFORCING NOTE:
150MM TO 400MM MAINS = 12-NO. 22 BARS
BARS PLACED AS SHOWN



THRUST COLLAR DETAIL



NOTE:
STUB-OUT MARKERS TO BE LOCATED 100MM FROM THE END OF THE PROPOSED ENCASEMENT PIPE.

NOTE:
END MARKER SHALL BE CONSIDERED INCIDENTAL TO THE COST OF THE PROPOSED ENCASEMENT PIPE.

ENCASEMENT PIPE END MARKER DETAIL

0:\7987\18-2552C\Pre\1\uc\AR2552Cuc26.dgn 02/08/2005 04:06:00 PM