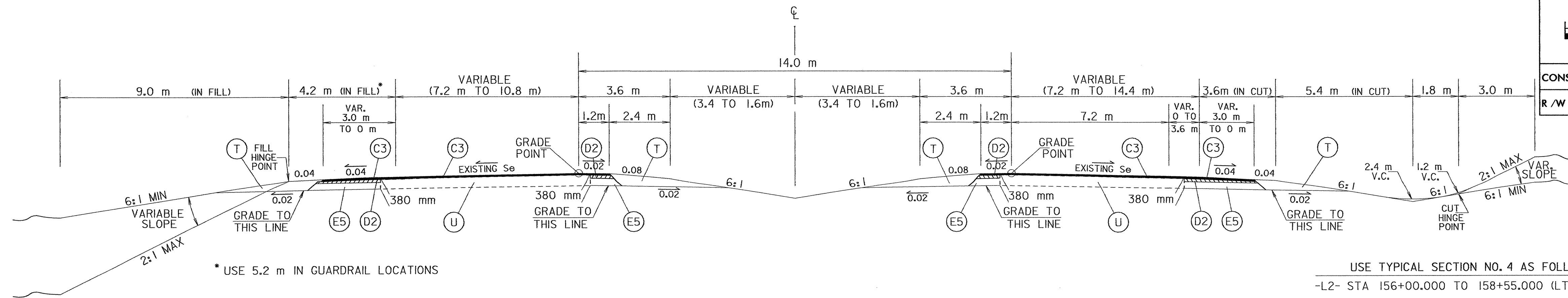


CONST.REV.

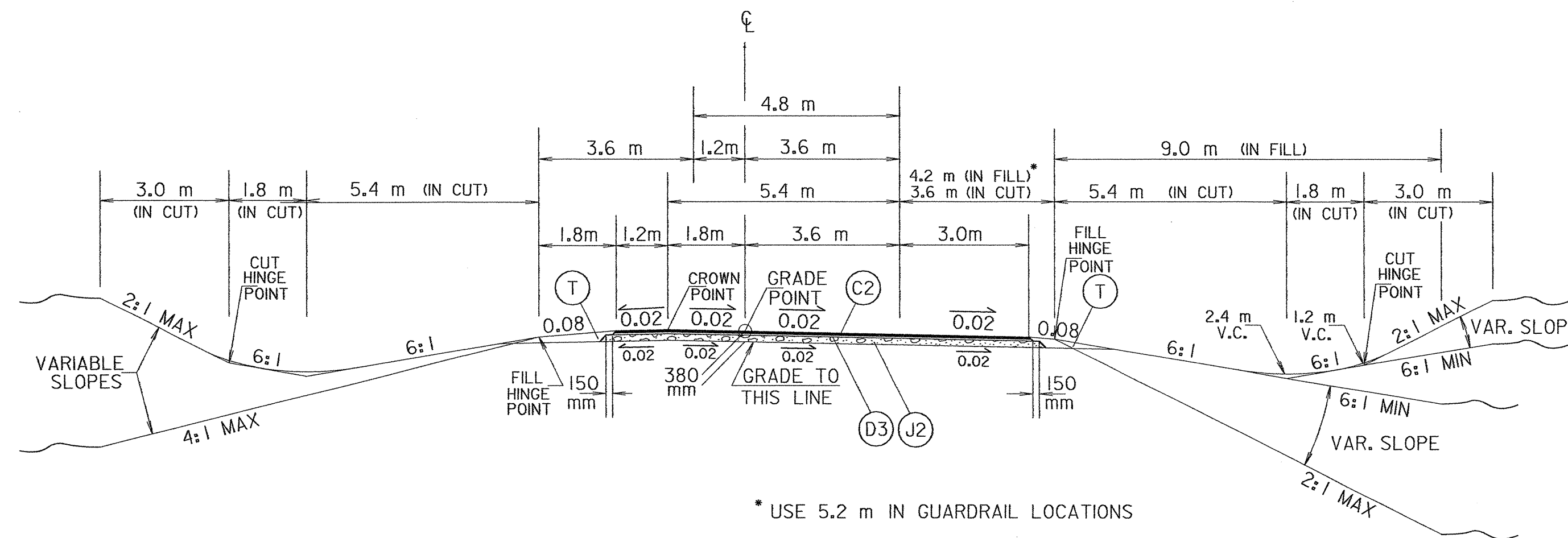
R/W REV.

| | |
|----------------------------------|--------------------------------|
| PROJECT REFERENCE NO. R-2552C | SHEET NO. 2-B |
| R/W SHEET NO. | |
| ROADWAY DESIGN ENGINEER | STATE PAVEMENT DESIGN ENGINEER |
| | |



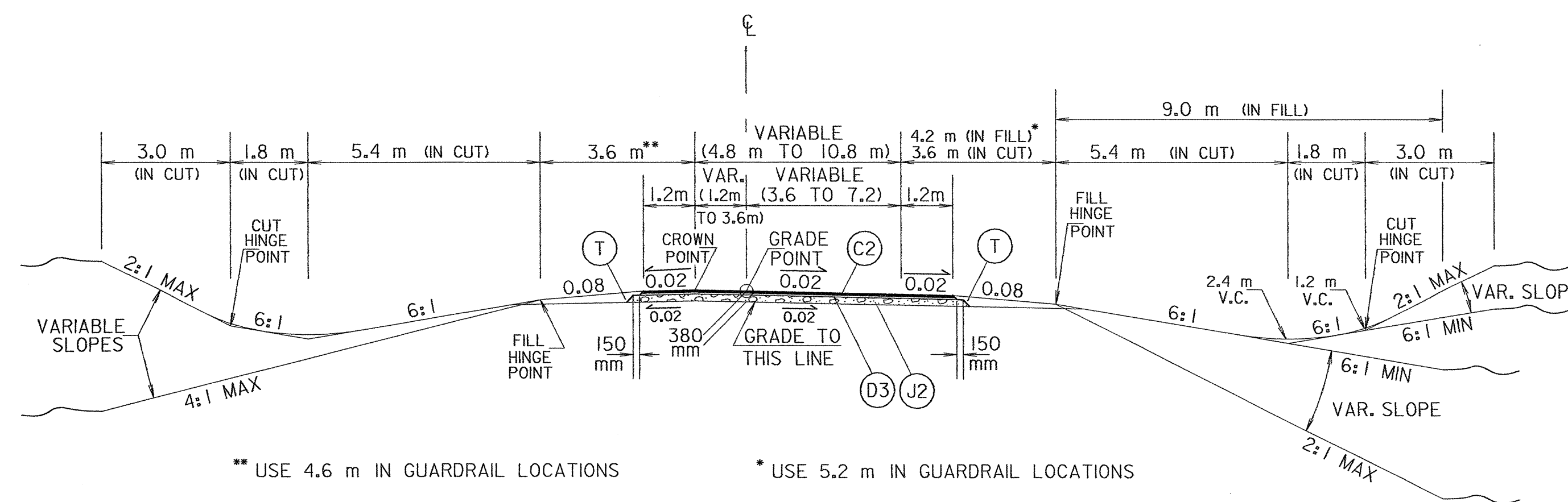
USE TYPICAL SECTION NO. 4 AS FOLLOWS:
-L2- STA 156+00.000 TO 158+55.000 (LT & RT)

TYPICAL SECTION NO. 4



USE TYPICAL SECTION NO. 5 AS FOLLOWS:
-RAMP A- (AT US 70 BUS.) STA 1+26.000 TO 1+55.000
-RAMP D- (AT US 70 BUS.) STA 1+25.000 TO 4+01.700 (REVERSE)

TYPICAL SECTION NO. 5



USE TYPICAL SECTION NO. 6 AS FOLLOWS:
-RAMP B- (AT US 70 BUS.) STA 0+70.000 TO 5+12.500

TYPICAL SECTION NO. 6

| | |
|------|---|
| (C1) | 40mm S9.5C |
| (C2) | 80 mm S9.5C |
| (C3) | 100mm S12.5C |
| (C4) | 60mm SF9.5A |
| (C5) | VAR S9.5C |
| (C6) | VAR. S12.5C |
| (C7) | VAR. SF9.5A |
| (D1) | 65mm 119.0C |
| (D2) | 80mm 119.0C |
| (D3) | 100mm 119.0C |
| (D4) | Var. 119.0C |
| (E1) | 75mm B25.0C |
| (E2) | 80mm B25.0C |
| (E3) | 100mm B25.0B |
| (E4) | 140mm B25.0B |
| (E5) | 200mm B25.0C |
| (E6) | VAR B25.0B |
| (E7) | VAR B25.0C |
| (E8) | 170mm B25.0C |
| (J1) | 150mm ABC |
| (J2) | 200mm ABC |
| (J3) | 250mm ABC |
| (J4) | 150mm INCID. STONE |
| (K) | 200mm LIME SUBBASE (OR) 180mm CEMENT SUBBASE |
| (P) | PRIME COAT |
| (R1) | 750mm CURB & GUTTER |
| (R2) | SHOULDER BERM GUTTER |
| (R3) | 175mm MONO. ISLAND |
| (T) | EARTH MATERIAL |
| (U) | EXIST. PAVEMENT |
| (W) | ASPH. WEDGING |