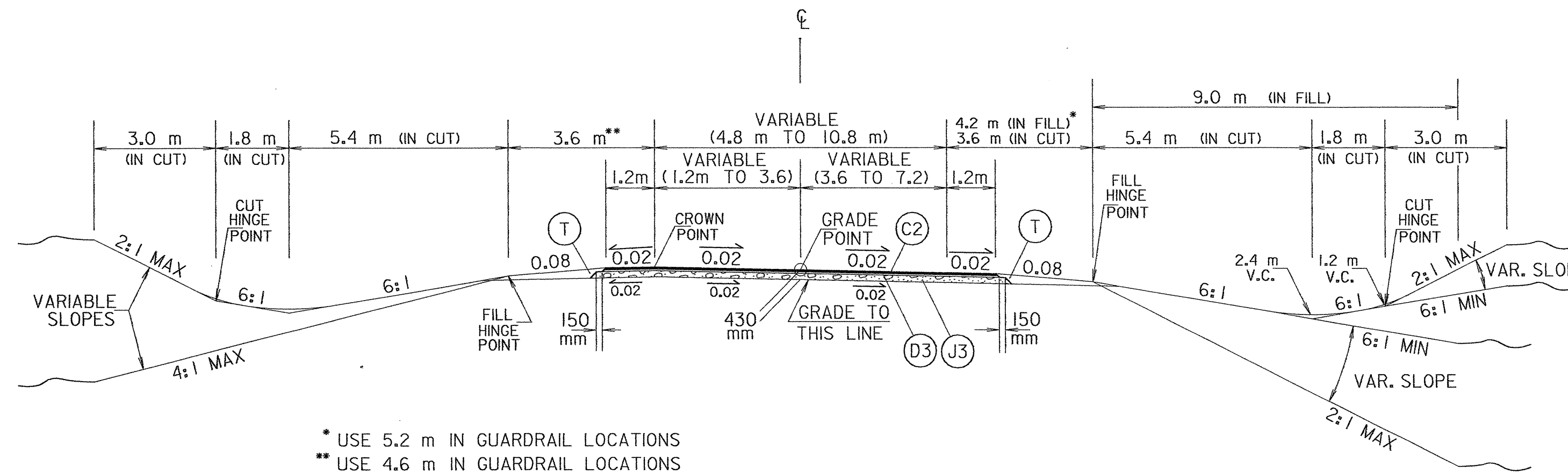
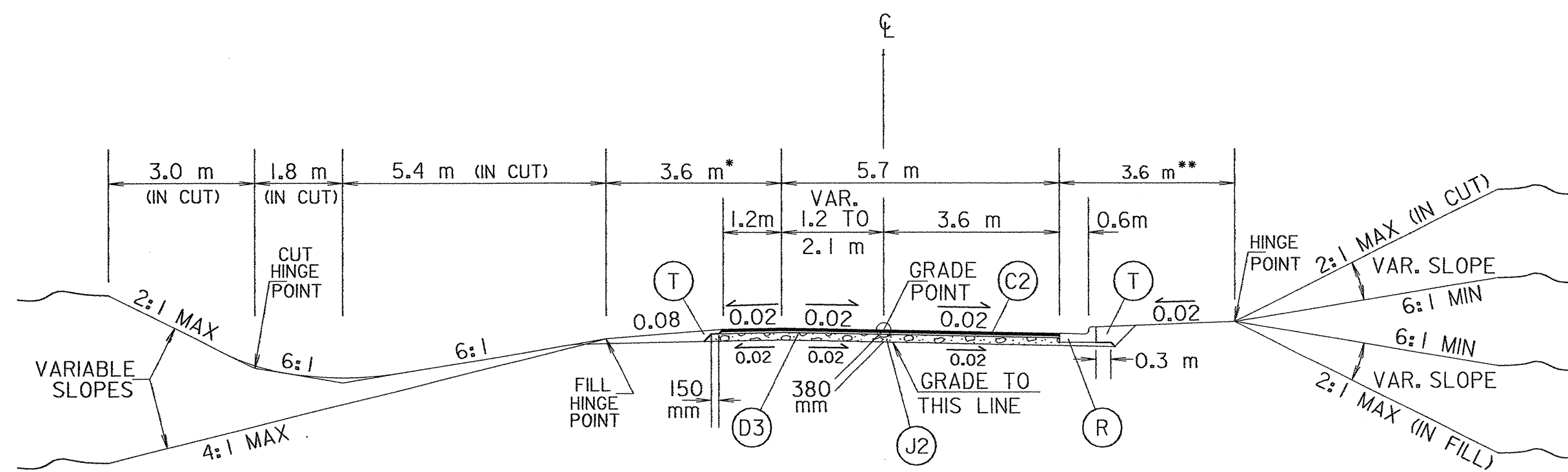


PROJECT REFERENCE NO. R-2552C	SHEET NO. 2-C
R/W SHEET NO.	
ROADWAY DESIGN ENGINEER <i>[Signature]</i>	STATE PAVEMENT DESIGN ENGINEER <i>[Signature]</i>
CONST.REV.	
R/W REV.	



* USE 5.2 m IN GUARDRAIL LOCATIONS
** USE 4.6 m IN GUARDRAIL LOCATIONS

TYPICAL SECTION NO. 7



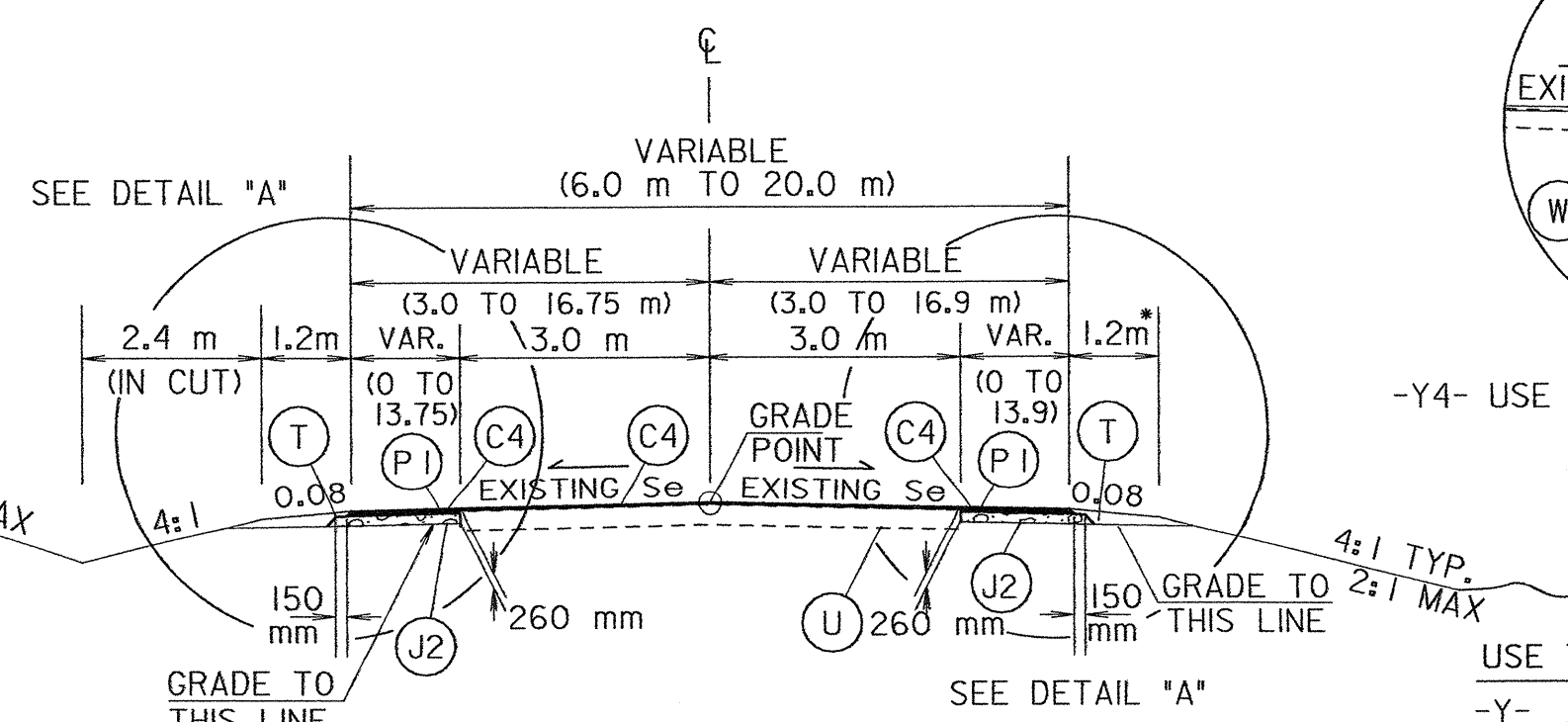
* USE 5.2 m IN GUARDRAIL LOCATIONS ** USE 4.6 m IN GUARDRAIL LOCATIONS

TYPICAL SECTION NO. 8

USE TYPICAL SECTION NO. 7 AS FOLLOWS:
-FLYOVER- (AT US 70 BUS.) STA 1+81.000 TO 8+93.421 (BEGIN BRIDGE)
-FLYOVER- (AT US 70 BUS.) STA 9+65.921 (END BRIDGE) TO 15+14.000
-RAMP C- (AT US 70 BUS.) STA 1+27.000 TO 8+44.500

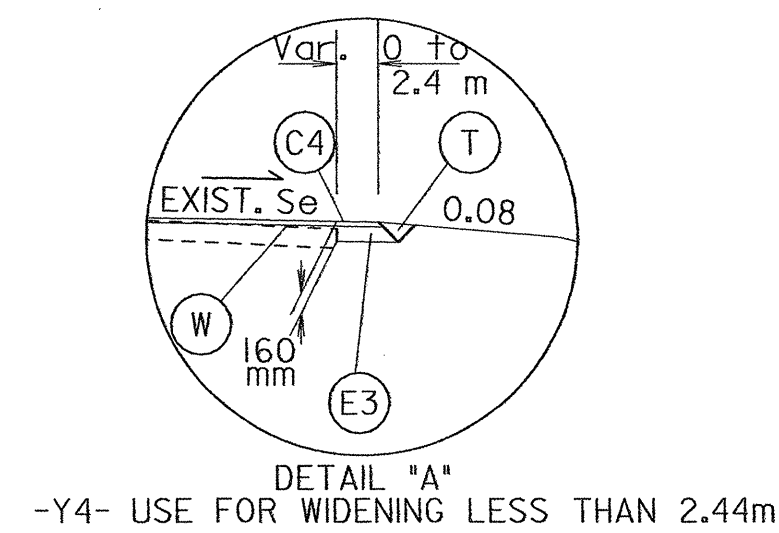
USE TYPICAL SECTION NO. 8 AS FOLLOWS:
-LOOP B- (AT US 70 BUS.) STA 0+83.500 TO 4+26.700
-LOOP C- (AT US 70 BUS.) STA 0+80.800 TO 5+34.000

(C1)	40mm S9.5C
(C2)	80 mm S9.5C
(C3)	100mm S12.5C
(C4)	60mm SF9.5A
(C5)	VAR S9.5C
(C6)	VAR. S12.5C
(C7)	VAR. SF9.5A
(D1)	65mm I19.0C
(D2)	80mm I19.0C
(D3)	100mm I19.0C
(D4)	Var. I19.0C
(E1)	75mm B25.0C
(E2)	80mm B25.0C
(E3)	100mm B25.0B
(E4)	140mm B25.0B
(E5)	200mm B25.0C
(E6)	VAR B25.0B
(E7)	VAR B25.0C
(E8)	170mm B25.0C
(J1)	150mm ABC
(J2)	200mm ABC
(J3)	250mm ABC
(J4)	150mm INCD. STONE
(K)	200mm LIME SUBBASE (OR) 180mm CEMENT SUBBASE
(P1)	PRIME COAT
(R1)	750mm CURB & GUTTER
(R2)	SHOULDER BERM GUTTER
(R3)	175mm MONO. ISLAND
(T)	EARTH MATERIAL
(U)	EXIST. PAVEMENT
(W)	ASPH. WEDGING



* USE 2.2 m IN GUARDRAIL LOCATIONS

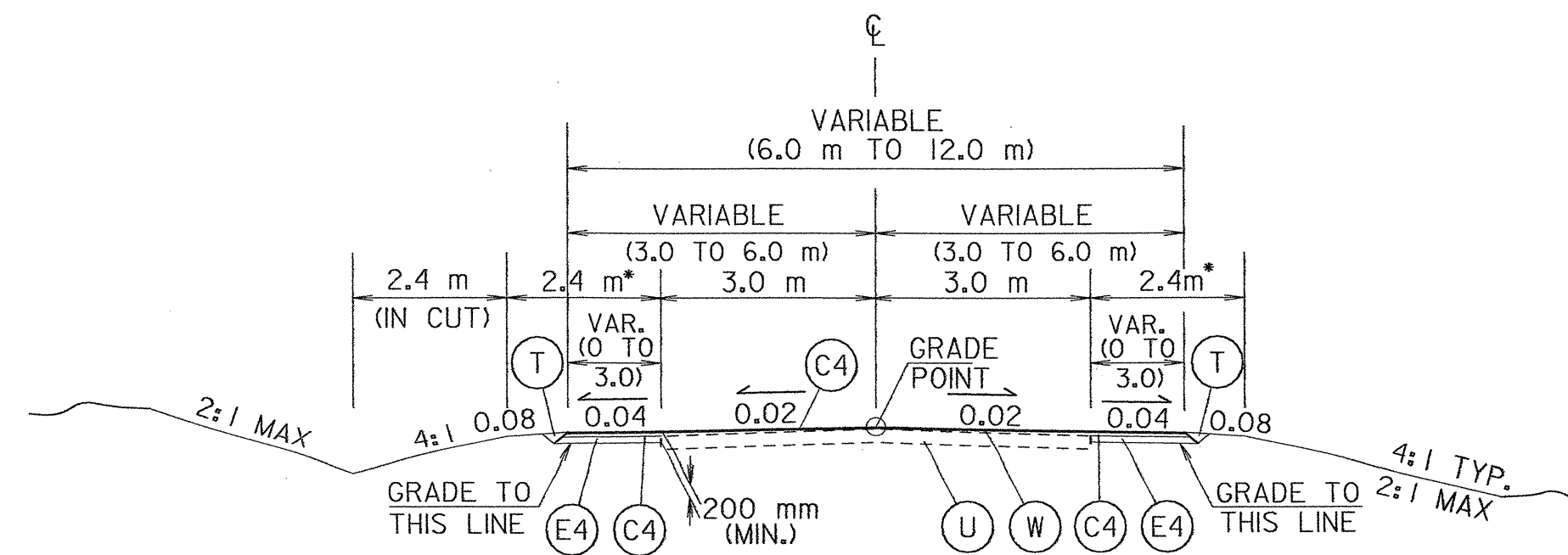
TYPICAL SECTION NO. 9



-Y4- USE FOR WIDENING LESS THAN 2.44m

USE TYPICAL SECTION NO. 9 AS FOLLOWS:

- Y- STA 10+44.632 TO 10+70.000
- Y- STA 12+30.000 TO 12+55.217
- Y2- STA 10+50.000 TO 10+76.000
- Y2- STA 11+96.000 TO 12+23.000



* USE 4.0 m IN GUARDRAIL LOCATIONS
(MEETS BRIDGE UNDERPASS REQUIREMENTS)

TYPICAL SECTION NO. 10

USE TYPICAL SECTION NO. 10 AS FOLLOWS:
-Y1- STA 11+15.000 TO 13+27.000