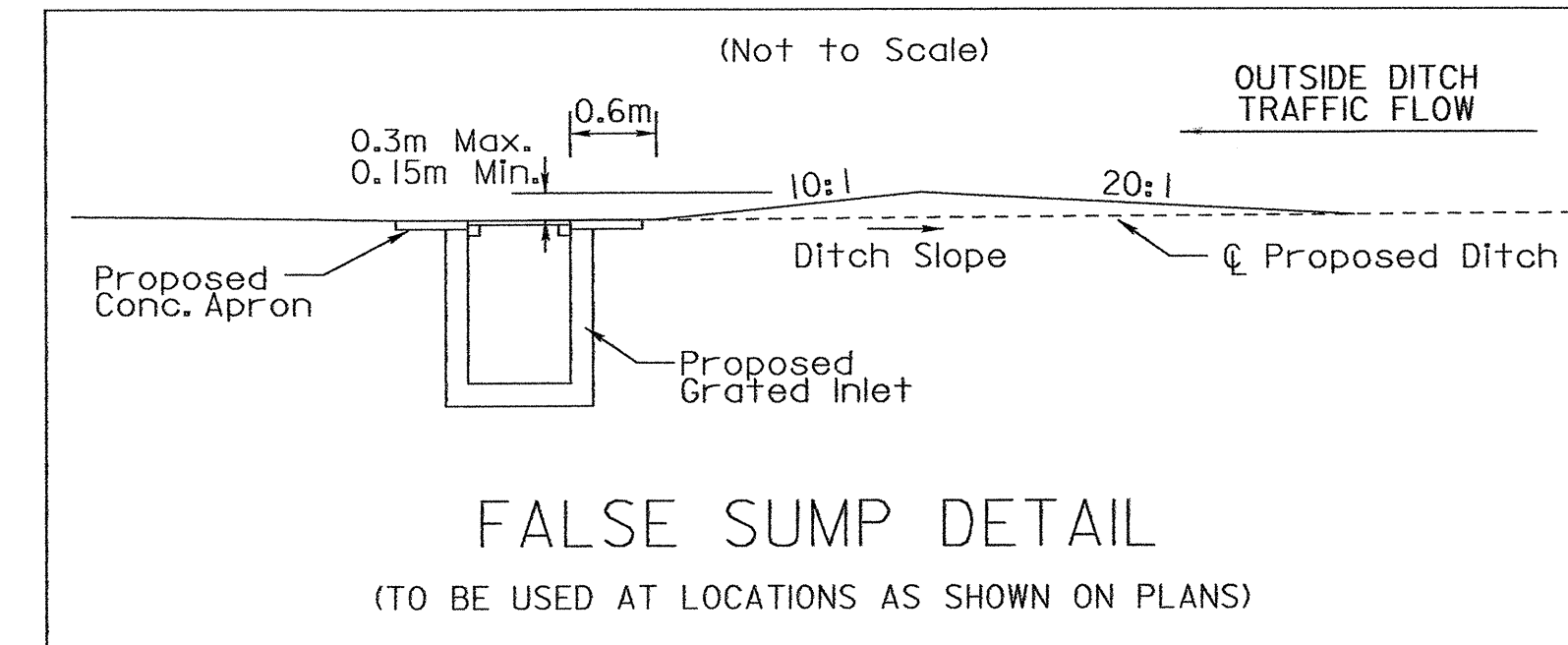
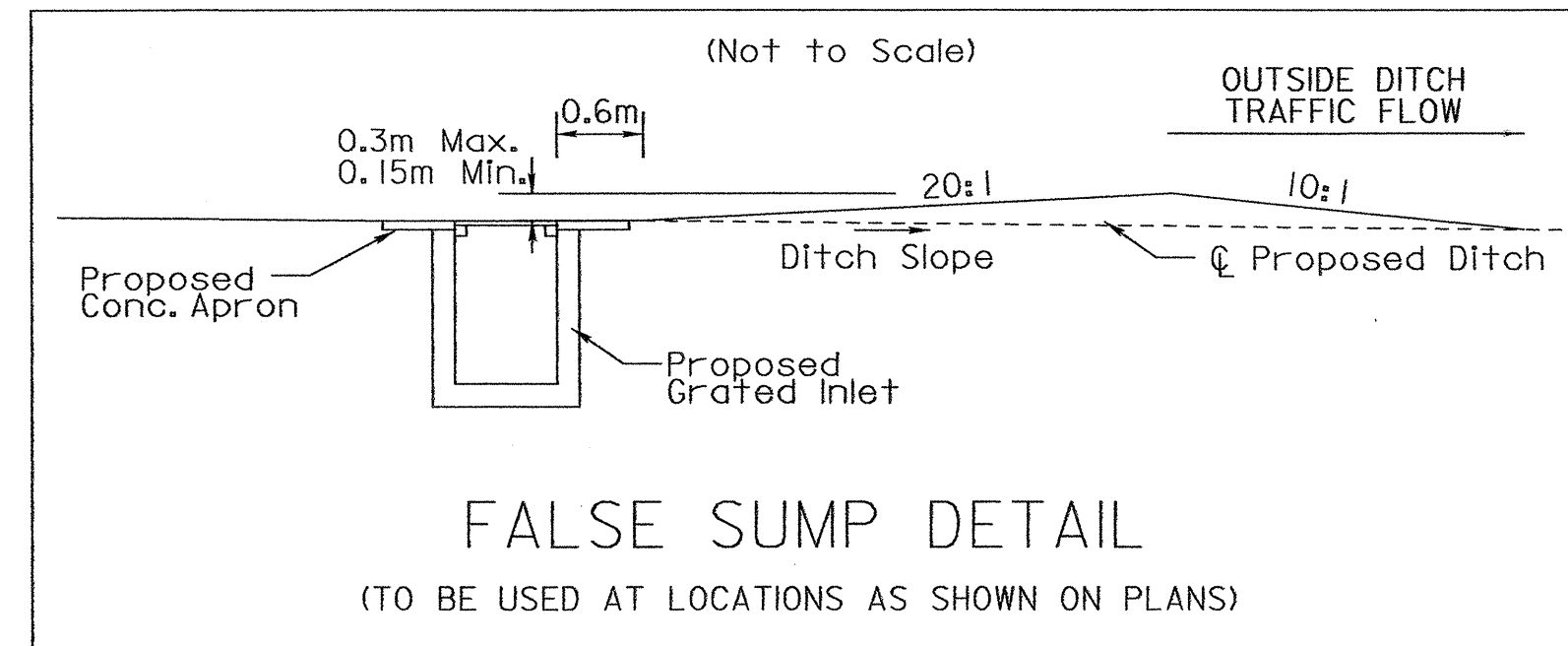
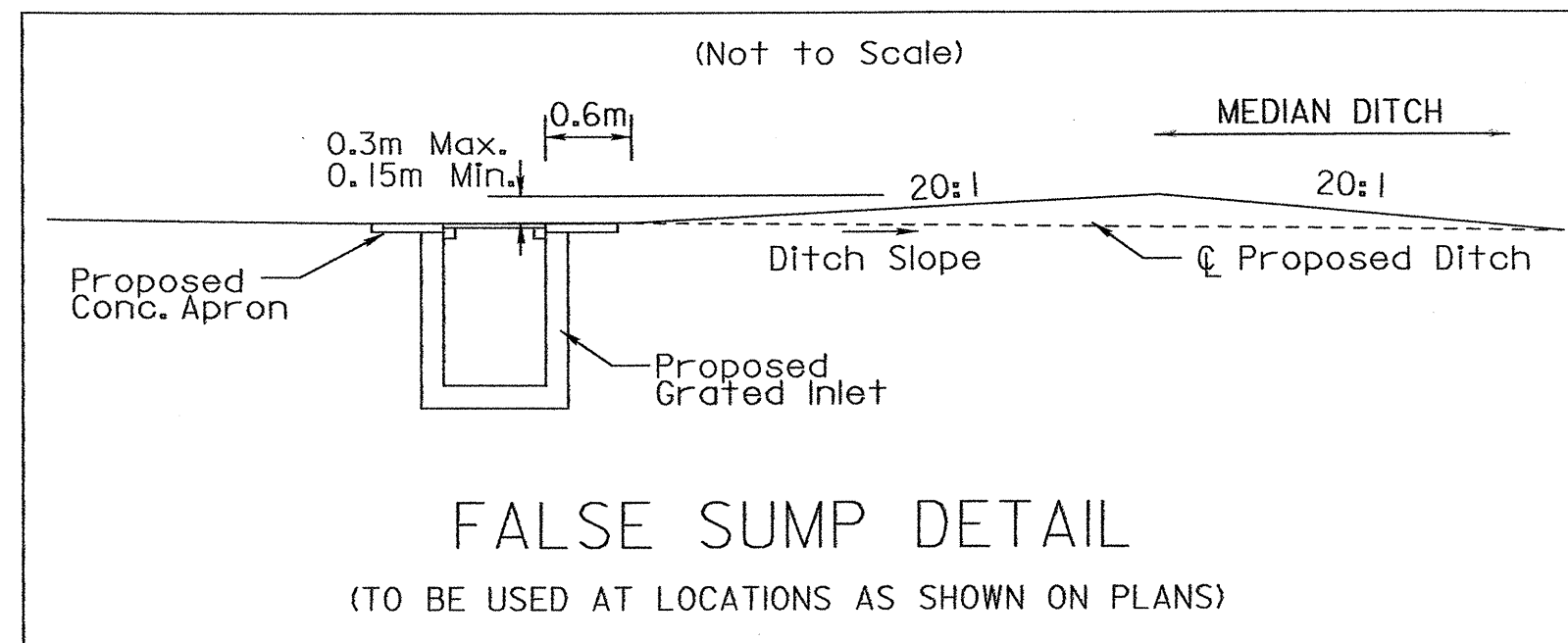


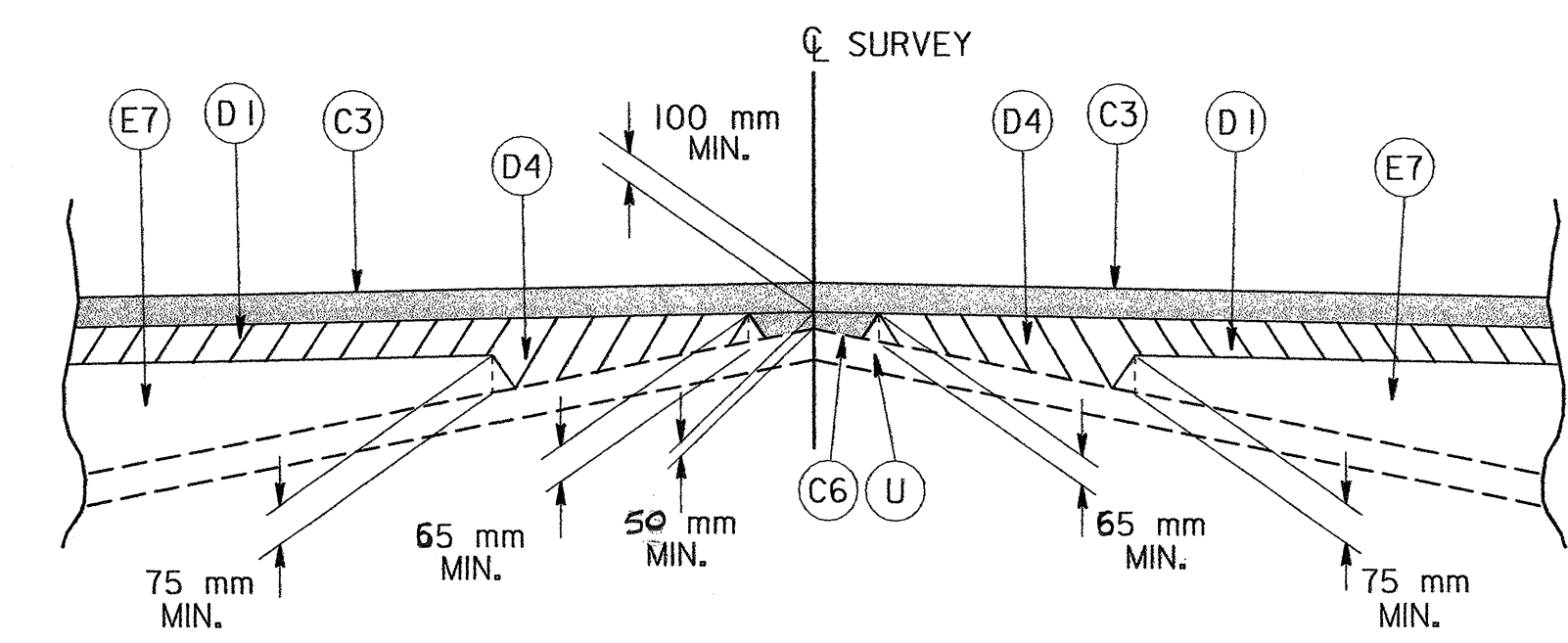
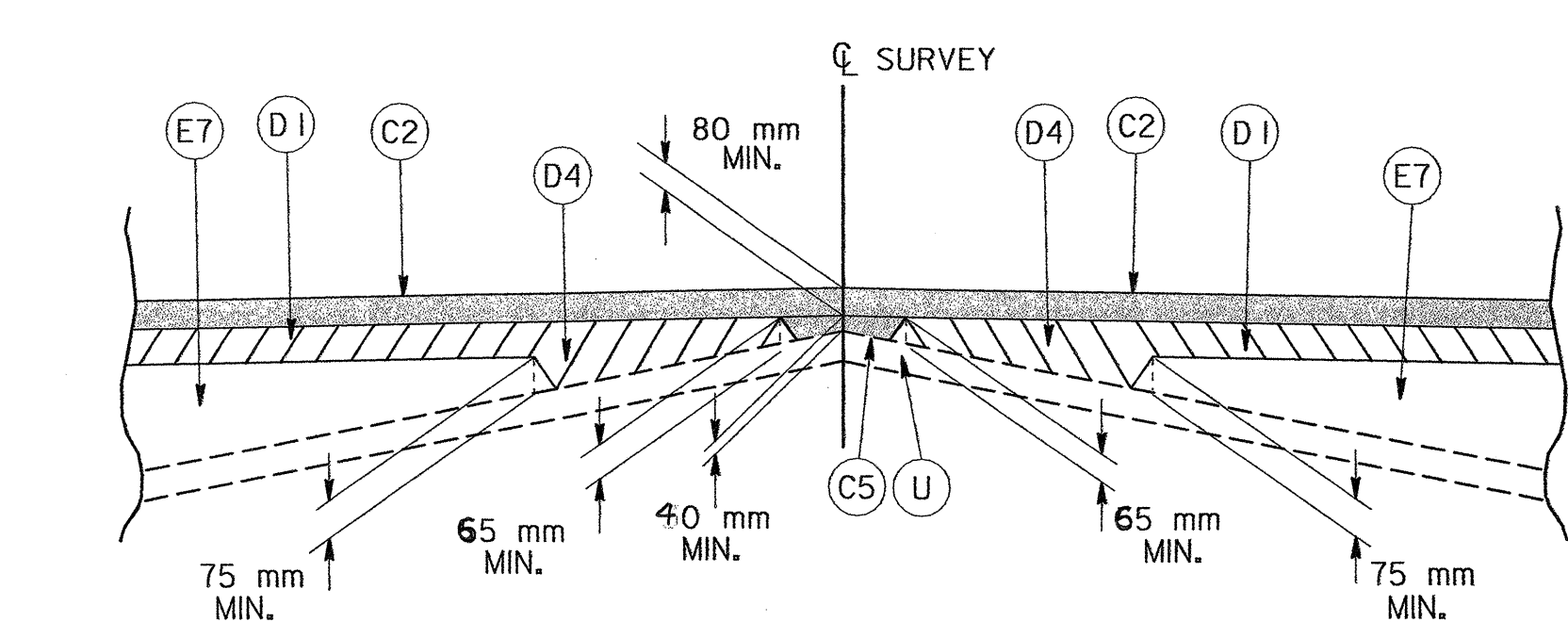
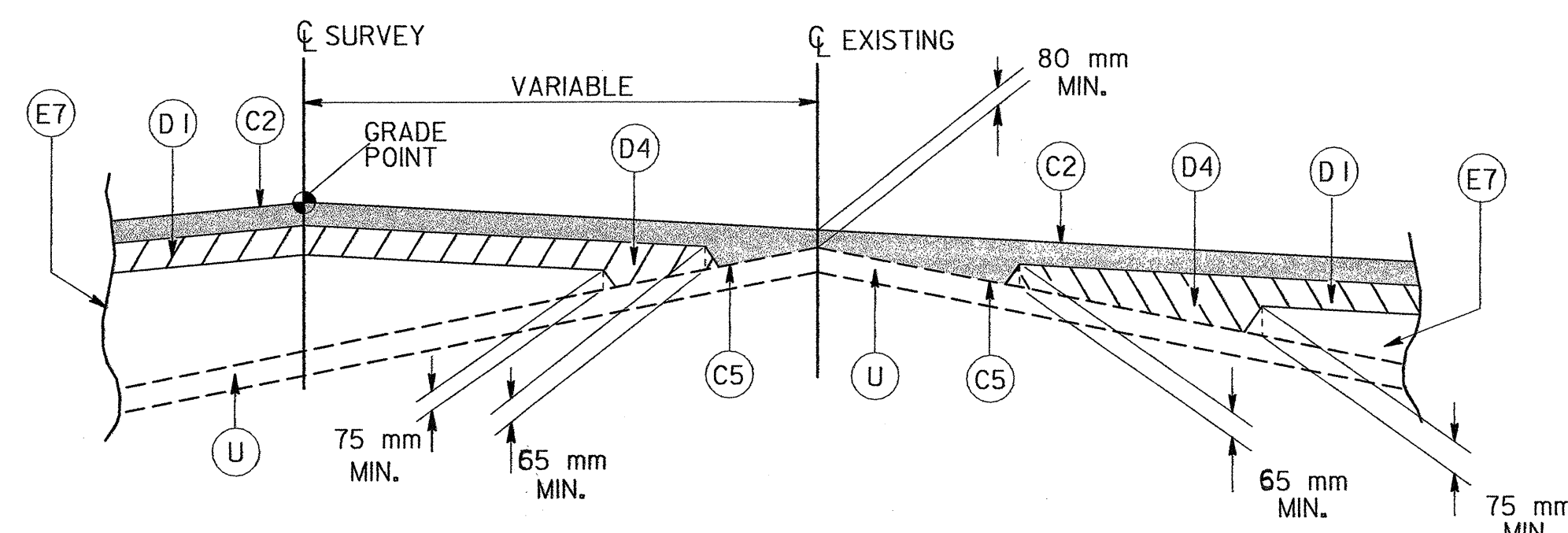
METRIC

CONST. REV.
R/W REV.

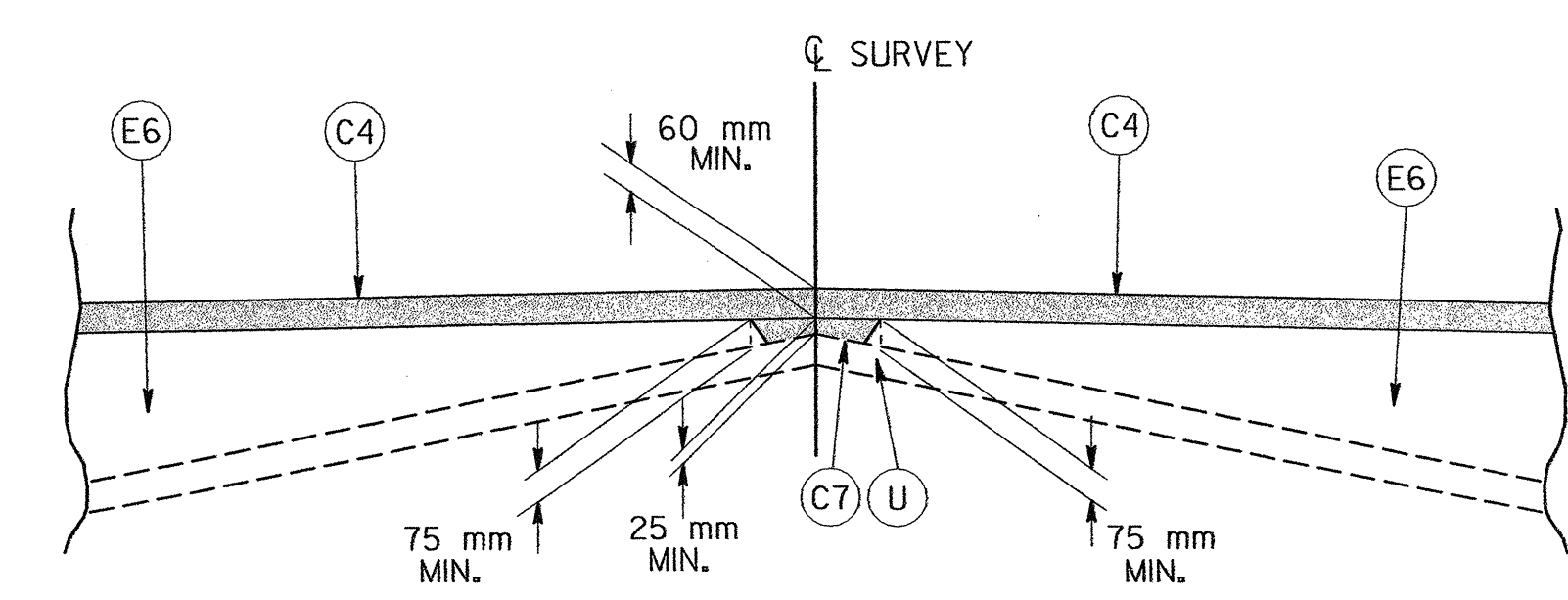
PROJECT REFERENCE NO. R-2552C	SHEET NO. 2-G
R/W SHEET NO.	
ROADWAY DESIGN ENGINEER	STATE PAVEMENT DESIGN ENGINEER



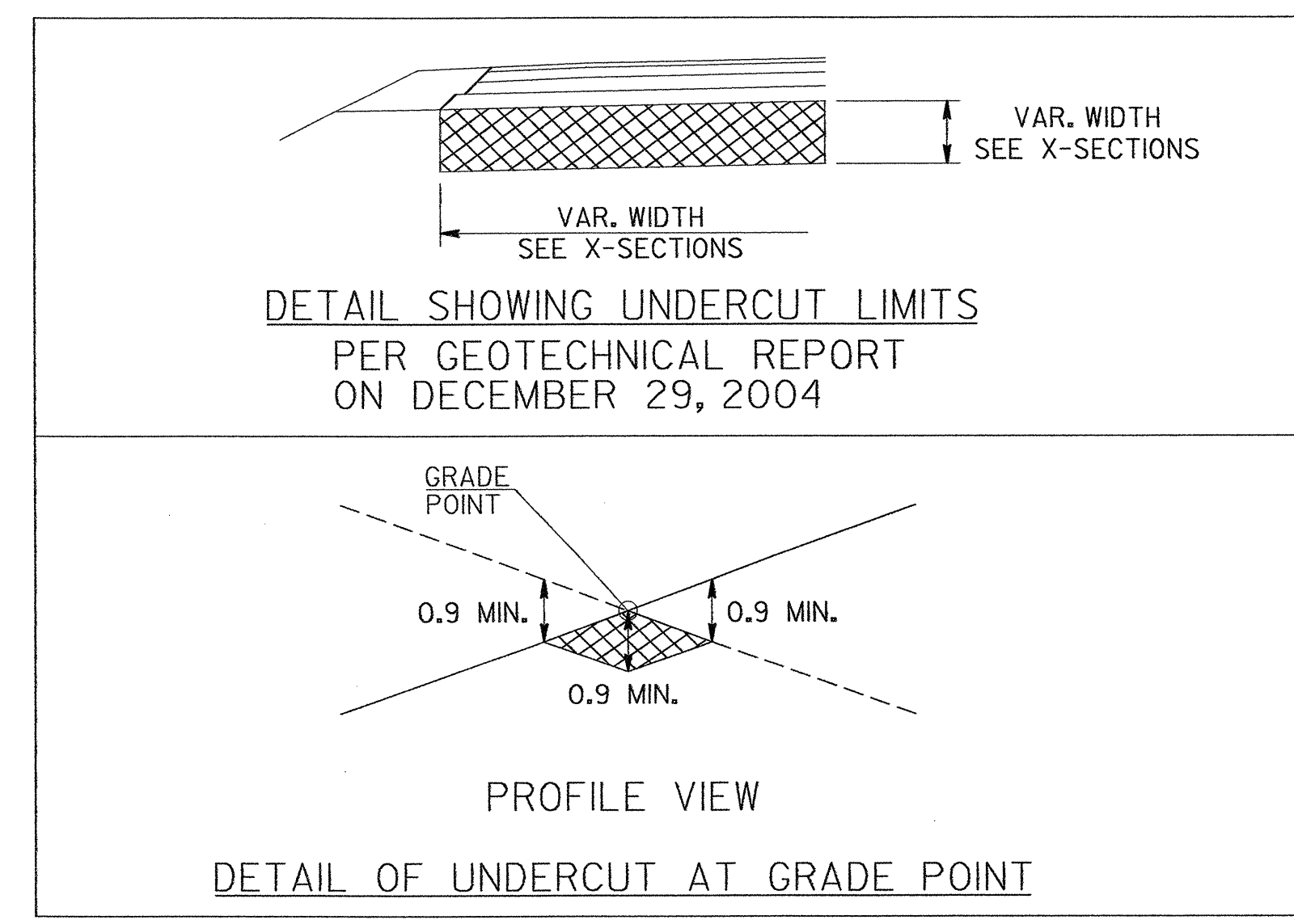
C1	40mm S9.5C
C2	80 mm S9.5C
C3	100mm S12.5C
C4	60mm SF9.5A
C5	VAR S9.5C
C6	VAR. S12.5C
C7	VAR. SF9.5A
D1	65mm 119.0C
D2	80mm 119.0C
D3	100mm 119.0C
D4	Var. 119.0C
E1	75mm B25.0C
E2	80mm B25.0C
E3	100mm B25.0B
E4	140mm B25.0B
E5	200mm B25.0C
E6	VAR B25.0B
E7	VAR B25.0C
E8	170mm B25.0C
J1	150mm ABC
J2	200mm ABC
J3	250mm ABC
J4	150mm INCID. STONE
K	200mm LIME SUBBASE (OR) 180mm CEMENT SUBBASE
P	PRIME COAT
R1	750mm CURB & GUTTER
R2	SHOULDER BERM GUTTER
R3	175mm MONO. ISLAND
T	EARTH MATERIAL
U	EXIST. PAVEMENT
W	ASPH. WEDGING



DETAIL SHOWING SYMMETRICAL METHOD OF WEDGING NO. 3



DETAIL SHOWING SYMMETRICAL METHOD OF WEDGING NO. 4



LOCHNER
H. W. LOCHNER, INC.
2840 PLAZA PLACE, SUITE 202
RALEIGH, NC 27612

12-VAR-2006-1007-2-05-2006-001-AT-1007-001-TYP.DGN