
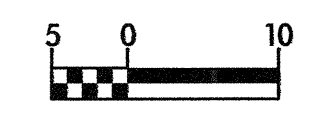
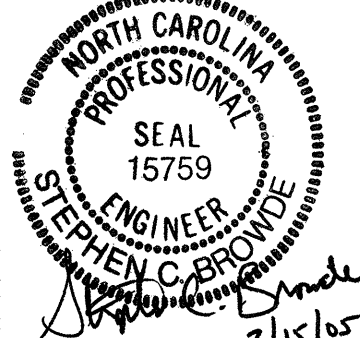
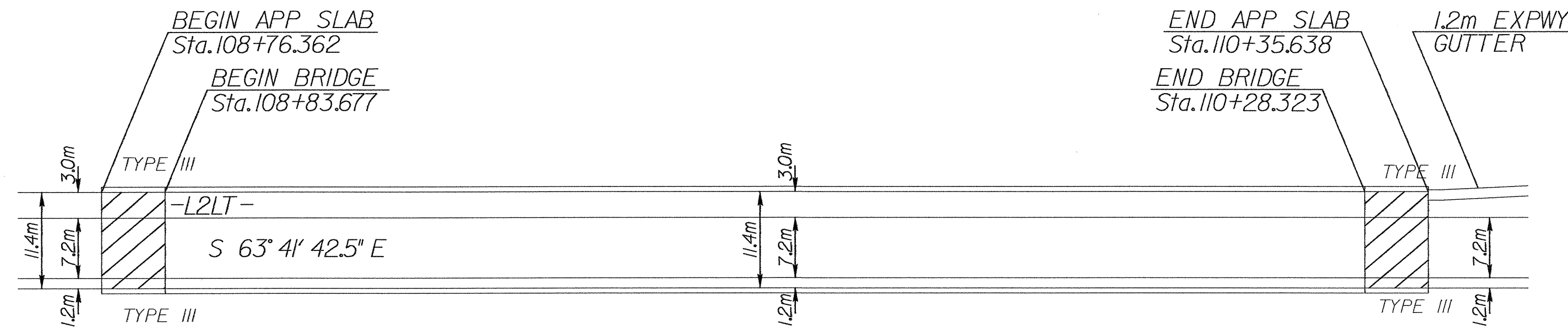


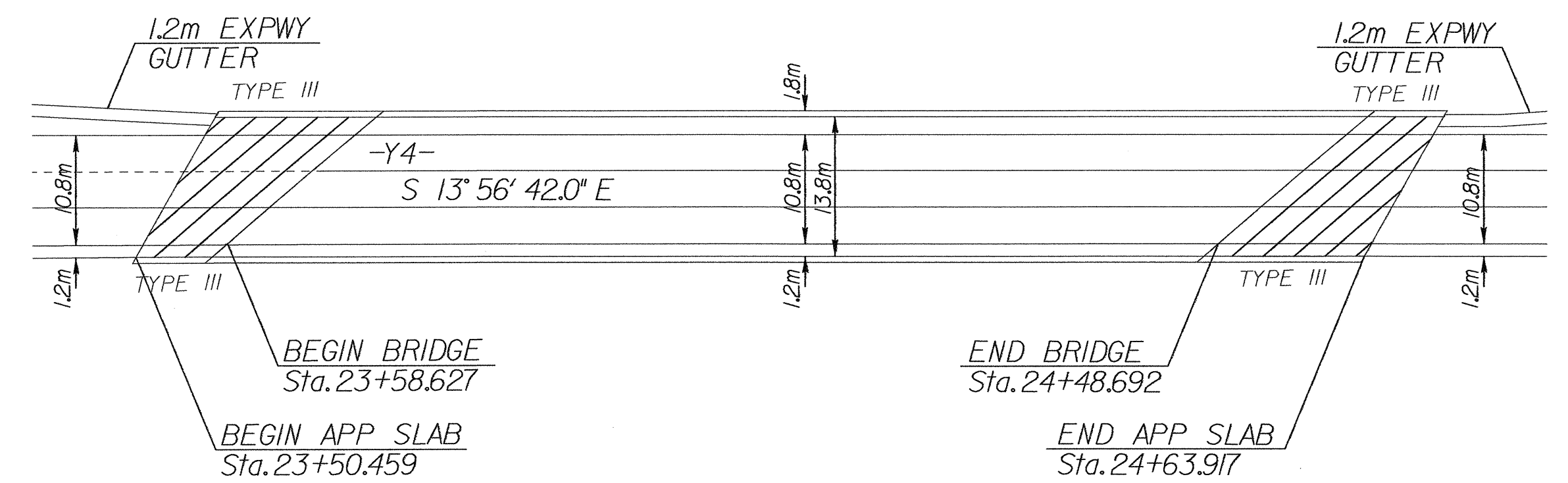
BRIDGE DETAILS

	PROJECT REFERENCE NO.	SHEET NO.
	R-2552C	2-0
	R / W SHEET NO.	
	ROADWAY DESIGN ENGINEER	HYDRAULICS ENGINEER
CONST. REV.		
R / W REV.	3/15/05	

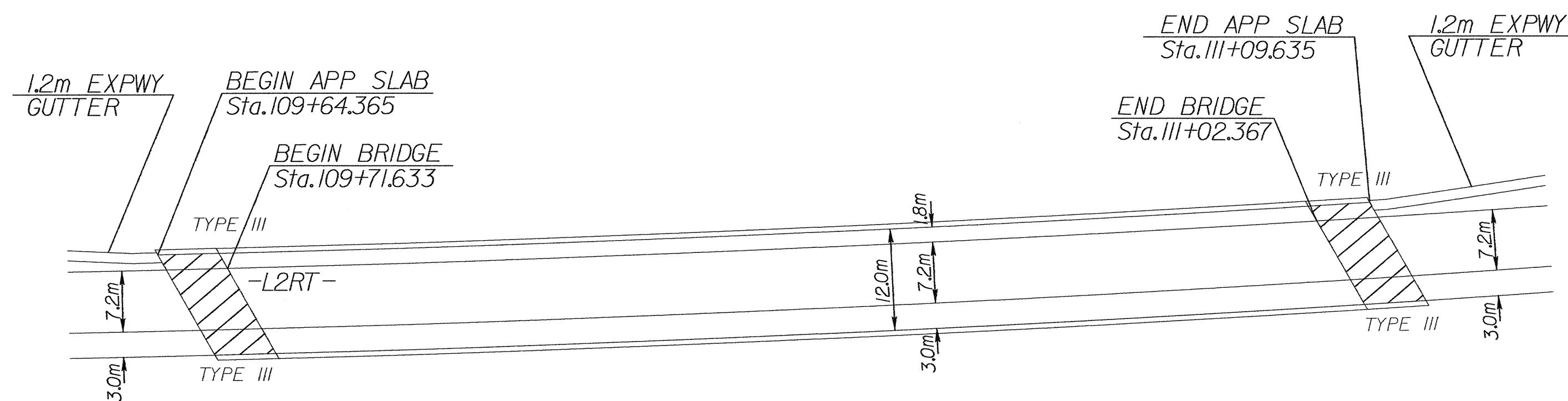
NOT TO SCALE



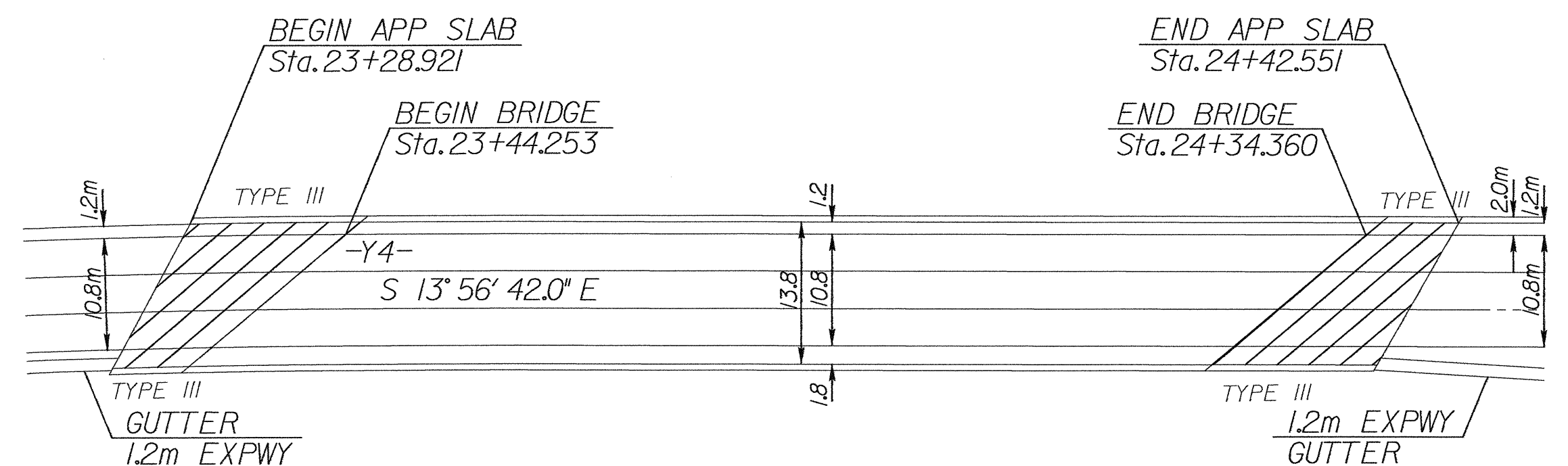
STRUCTURE AT -L2LT- OVER -LITTLE CREEK-
(SEE SHEET 4 FOR PLANS)



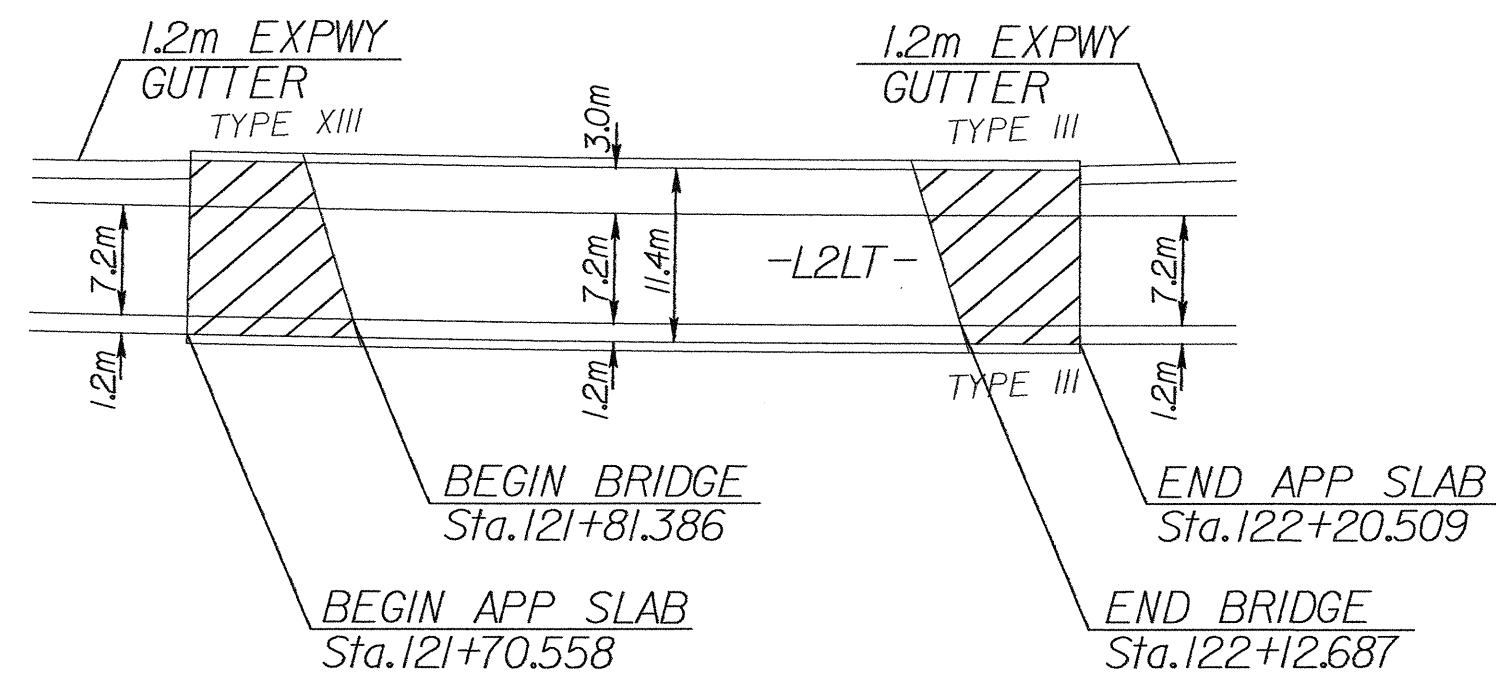
STRUCTURE AT -Y4- OVER -L2-
(SEE SHEET 15 FOR PLANS)



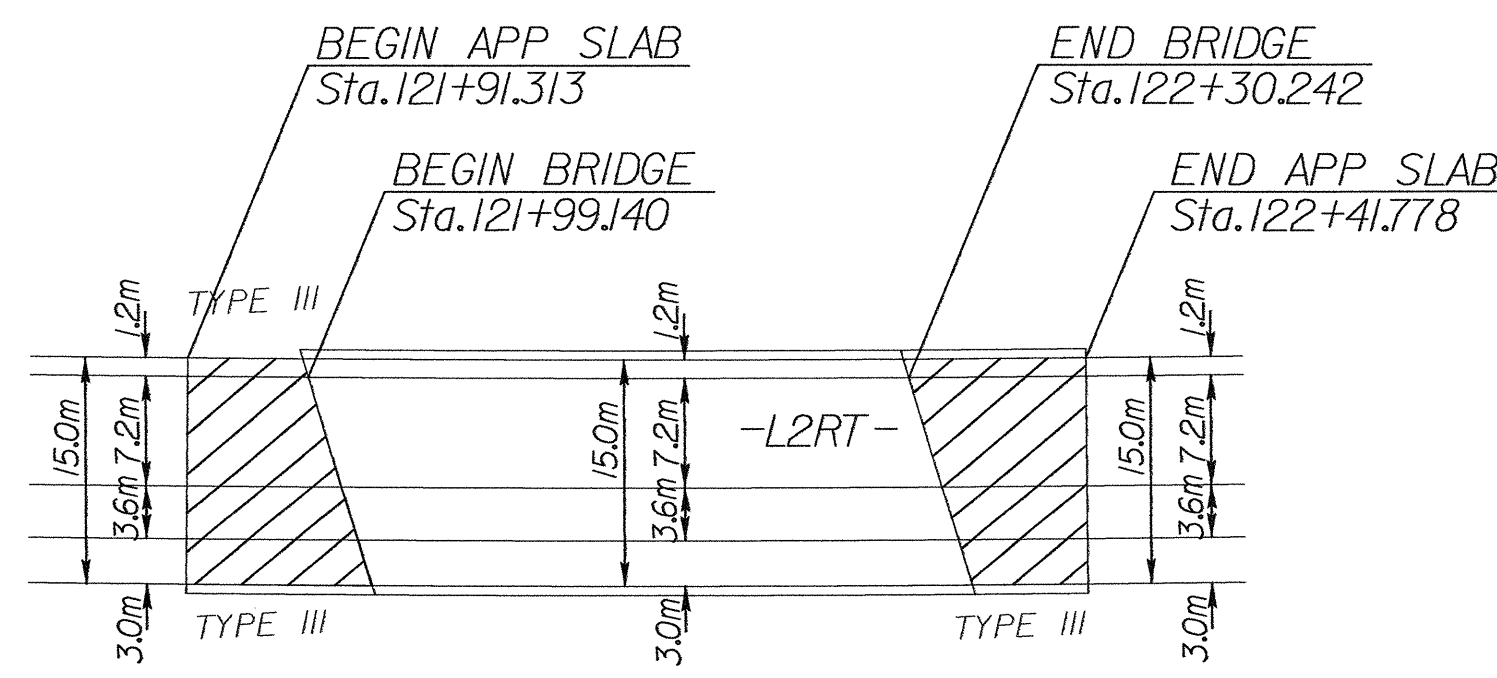
STRUCTURE AT -L2RT- OVER -LITTLE CREEK-
(SEE SHEET 4 FOR PLANS)



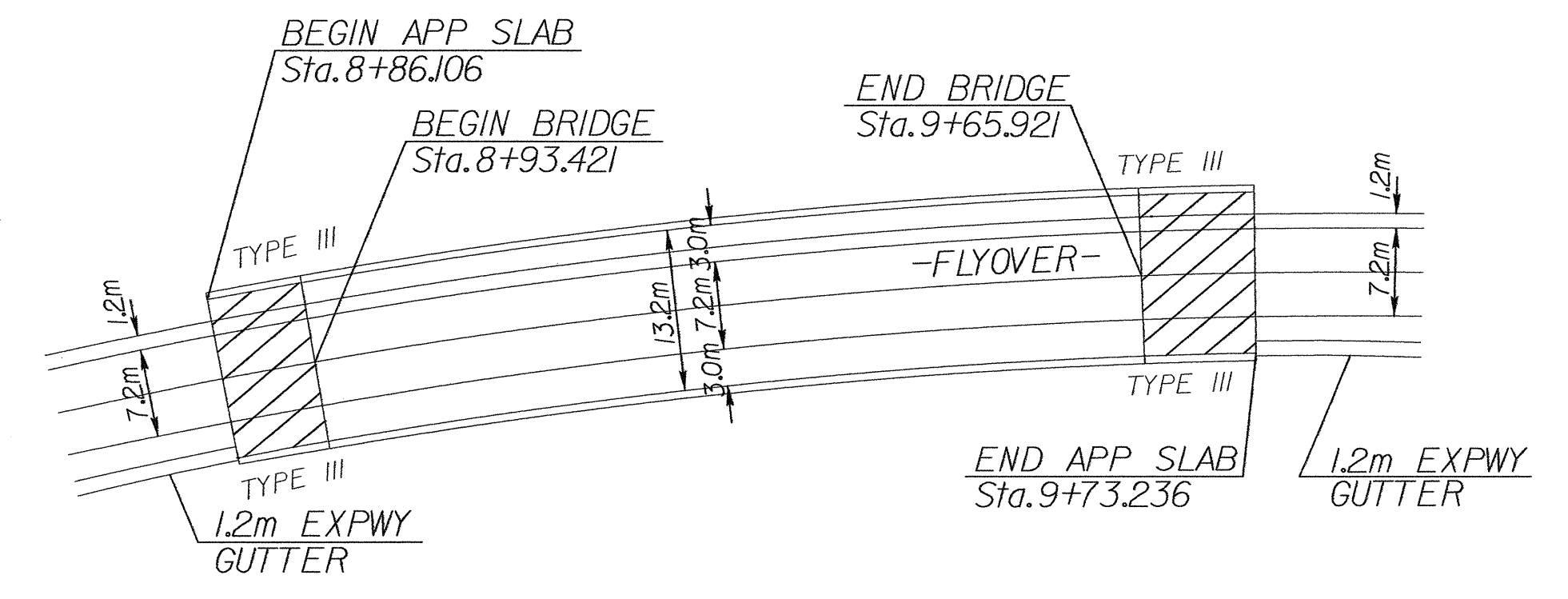
STRUCTURE AT -Y4- OVER -L2-
(SEE SHEET 15 FOR PLANS)



STRUCTURE AT -L2LT- OVER -Y1-
(SEE SHEET 8 FOR PLANS)



STRUCTURE AT -L2RT- OVER -Y1-
(SEE SHEET 8 FOR PLANS)



STRUCTURE AT -FLYOVER- OVER -Y4-
(SEE SHEET 13 FOR PLANS)

16-MAR-2005 16:23
 J:\175\DESIGN\2552C\RDY-FSH020-BRIDGE\KETCHUP.dgn
 1752552C_01.dwg AT 1752552C_01