



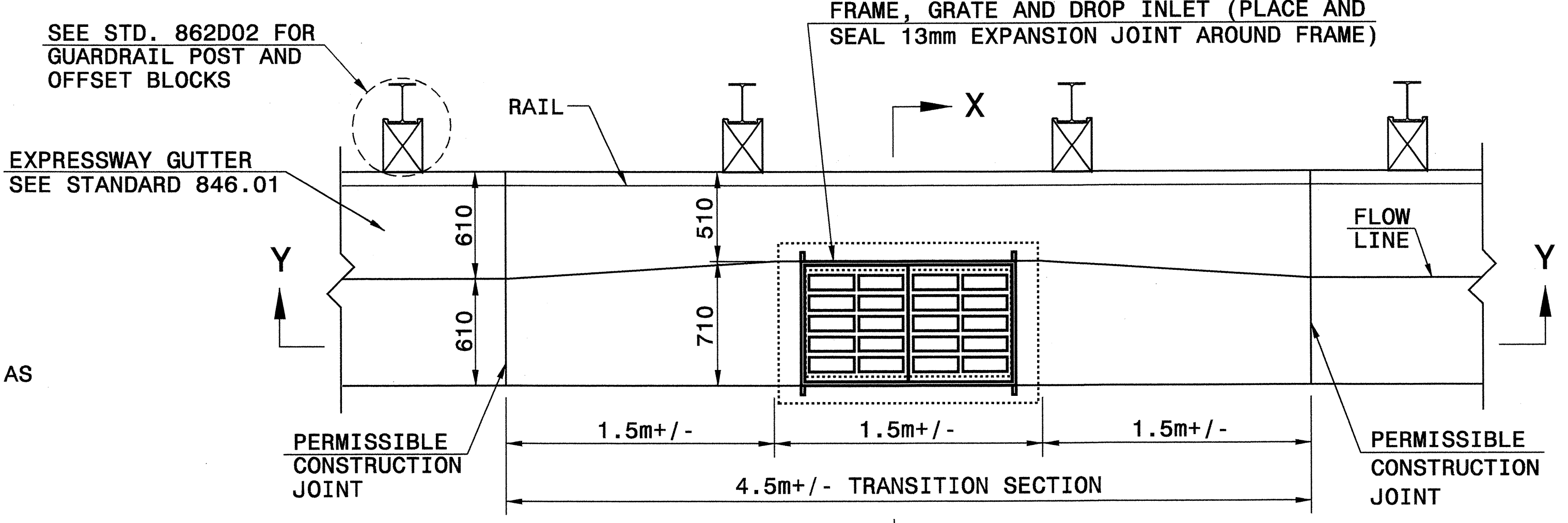
STATE OF
 NORTH CAROLINA
 DEPT. OF TRANSPORTATION
 DIVISION OF HIGHWAYS
 RALEIGH, N.C.

METRIC DETAIL DRAWING FOR
**DROP INLET INSTALLATION IN
 EXPRESSWAY GUTTER**

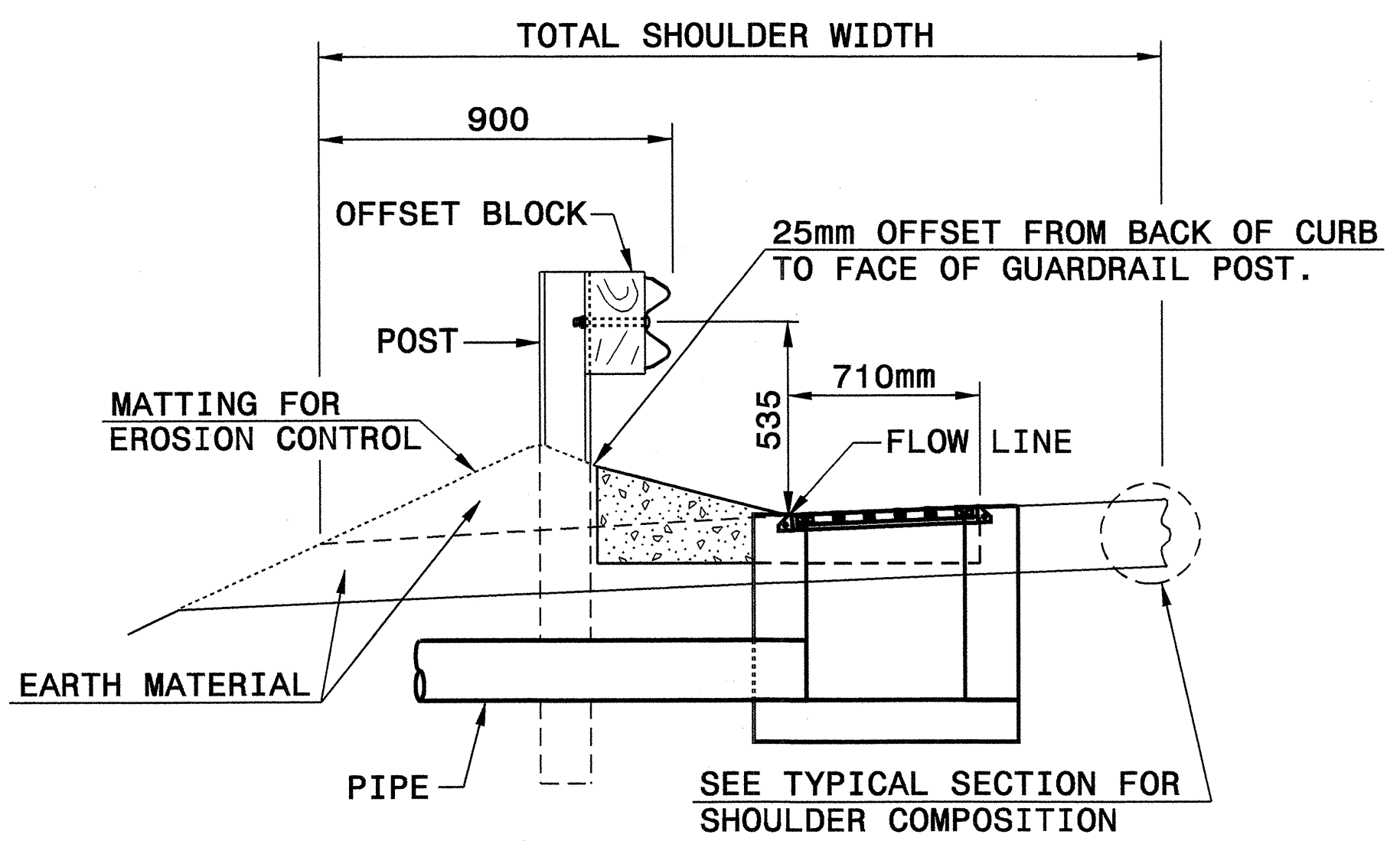
STATE OF
 NORTH CAROLINA
 DEPT. OF TRANSPORTATION
 DIVISION OF HIGHWAYS
 RALEIGH, N.C.

METRIC DETAIL DRAWING FOR
**DROP INLET INSTALLATION IN
 EXPRESSWAY GUTTER**

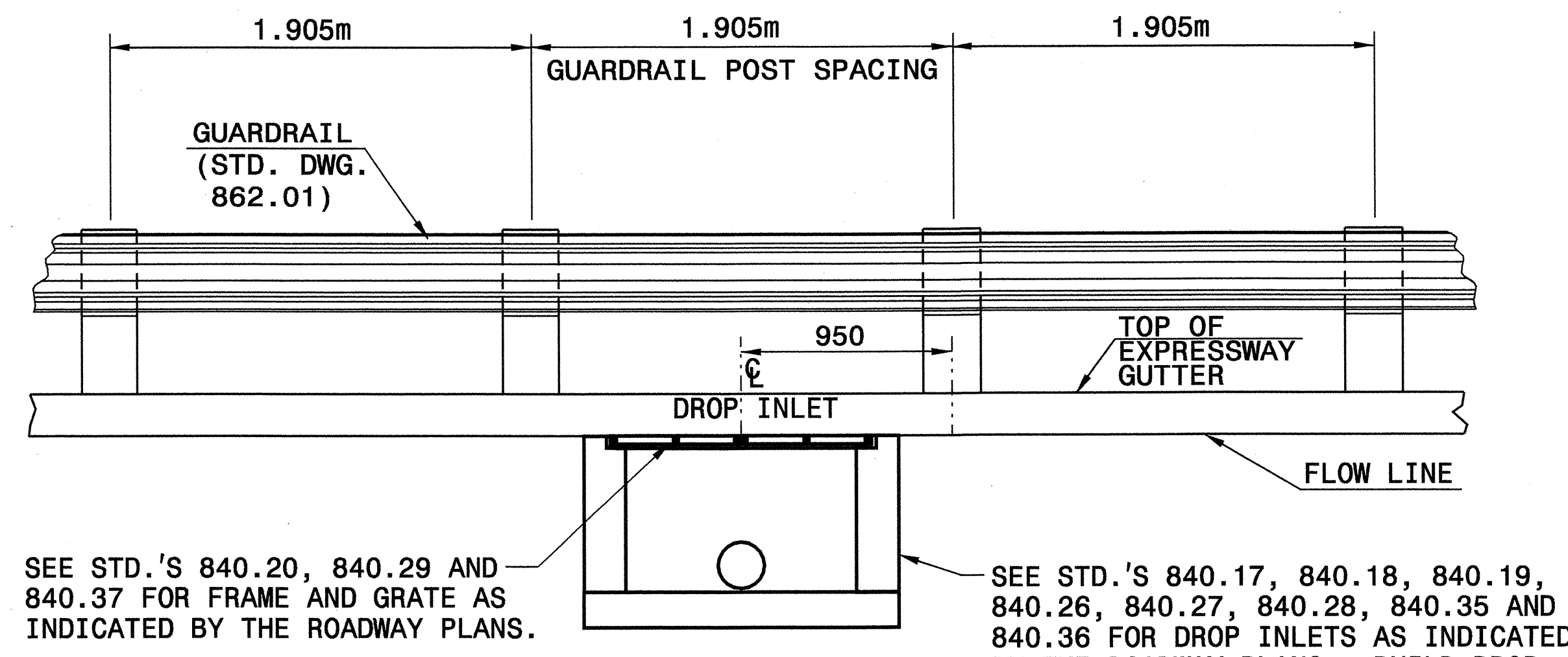
GENERAL NOTES:
 -PAY FOR TRANSITION SECTION AS
 CONCRETE EXPRESSWAY GUTTER.
 -GUARDRAIL OPTIONAL



PLAN



SECTION X-X



SECTION Y-Y

DROP INLET INSTALLATION IN EXPRESSWAY GUTTER

Note:
 This drawing is dimensioned in
 millimeters unless otherwise
 depicted within the drawing.

SHEET 1 OF 1
846D02

SHEET 1 OF 1
846D02

DESIGN SERVICES UNIT
 STANDARDS AND SPECIAL DESIGN
 Office 919-250-4128 FAX 919-250-4119

SEE PLATE FOR TITLE

ORIGINAL BY: 2002 STANDARDS DATE: 01-15-02
 MODIFIED BY: E.E. WARD DATE: 04-07-04
 CHECKED BY: [Signature] DATE: 4-12-04
 FILE SPEC.: stds/02stdstodetails/metric/846d02m.dgn

