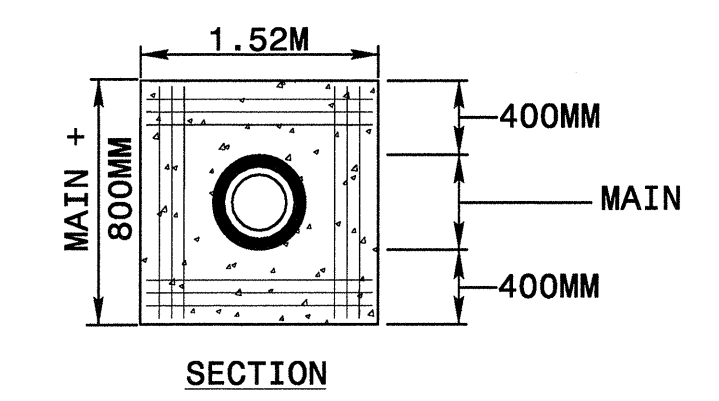
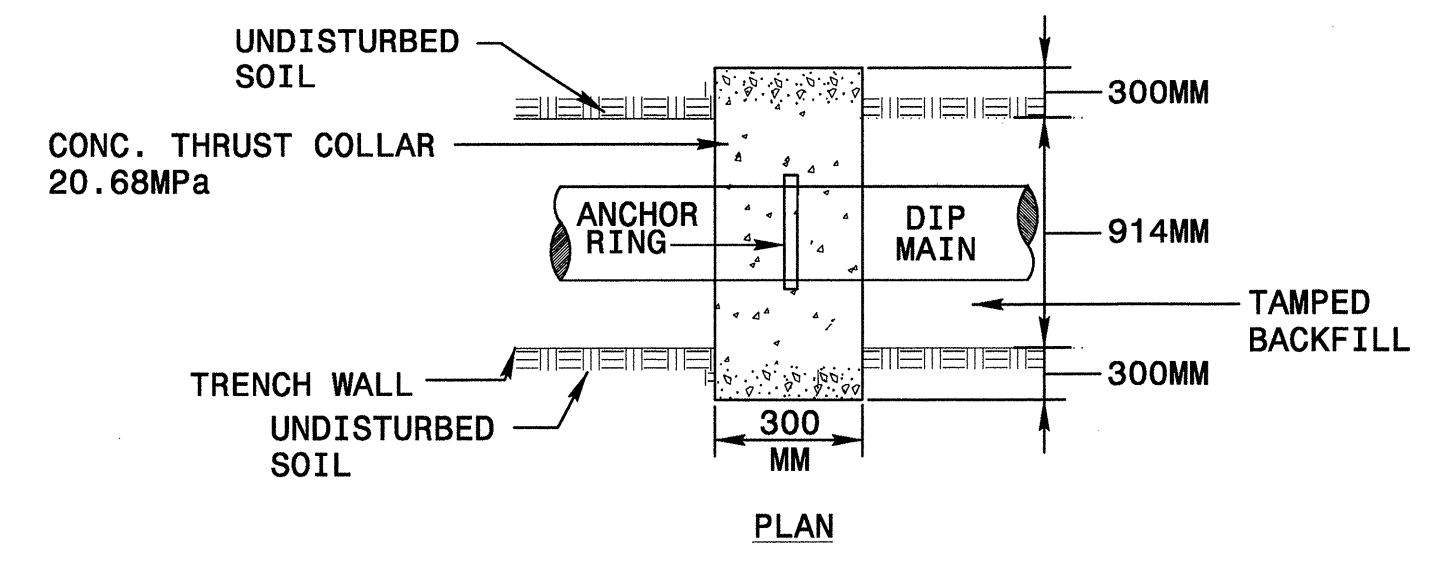


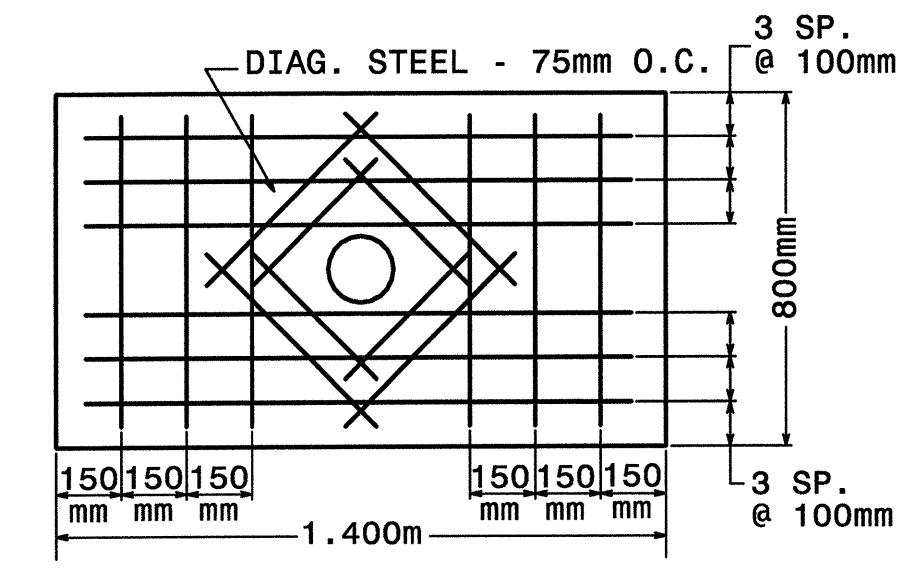
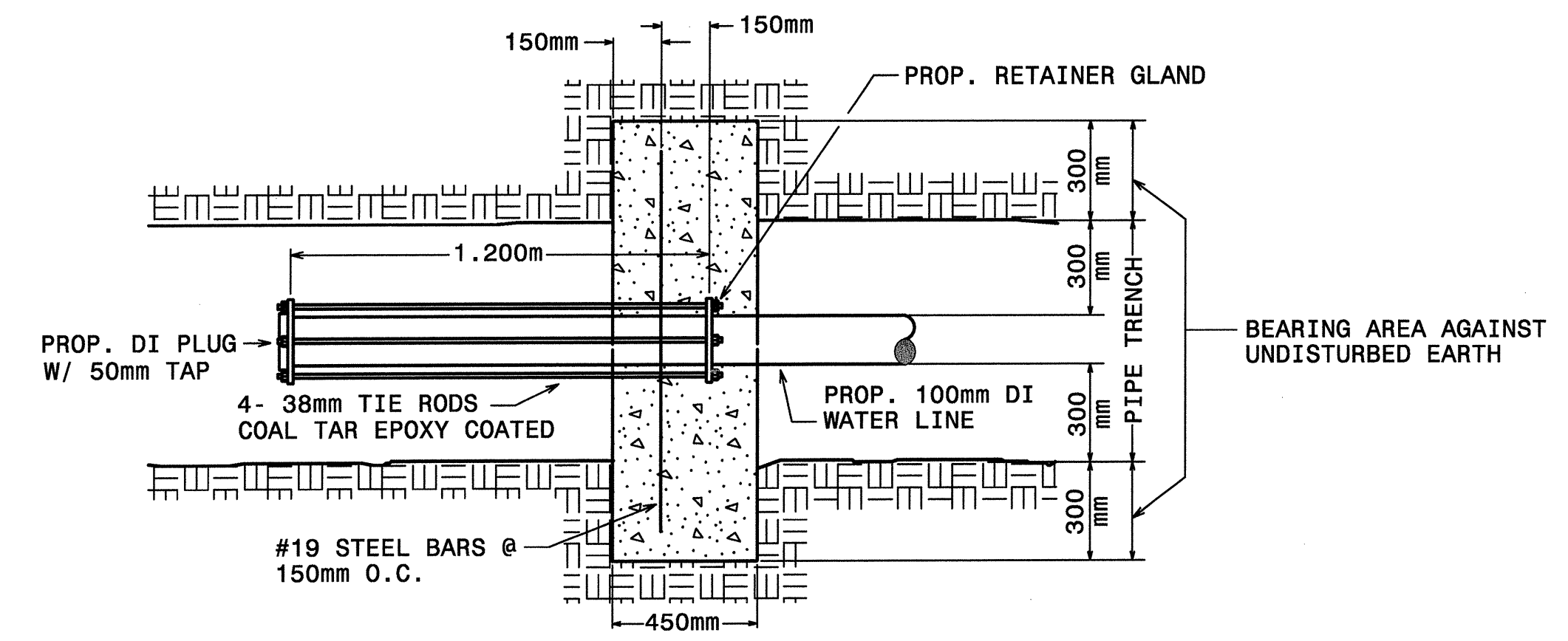
DIRECTIONAL BORE PIPING CONNECTION ASSEMBLY DETAIL



REINFORCING NOTE:
150MM TO 400MM MAINS = 12-NO. 22 BARS
BARS PLACED AS SHOWN

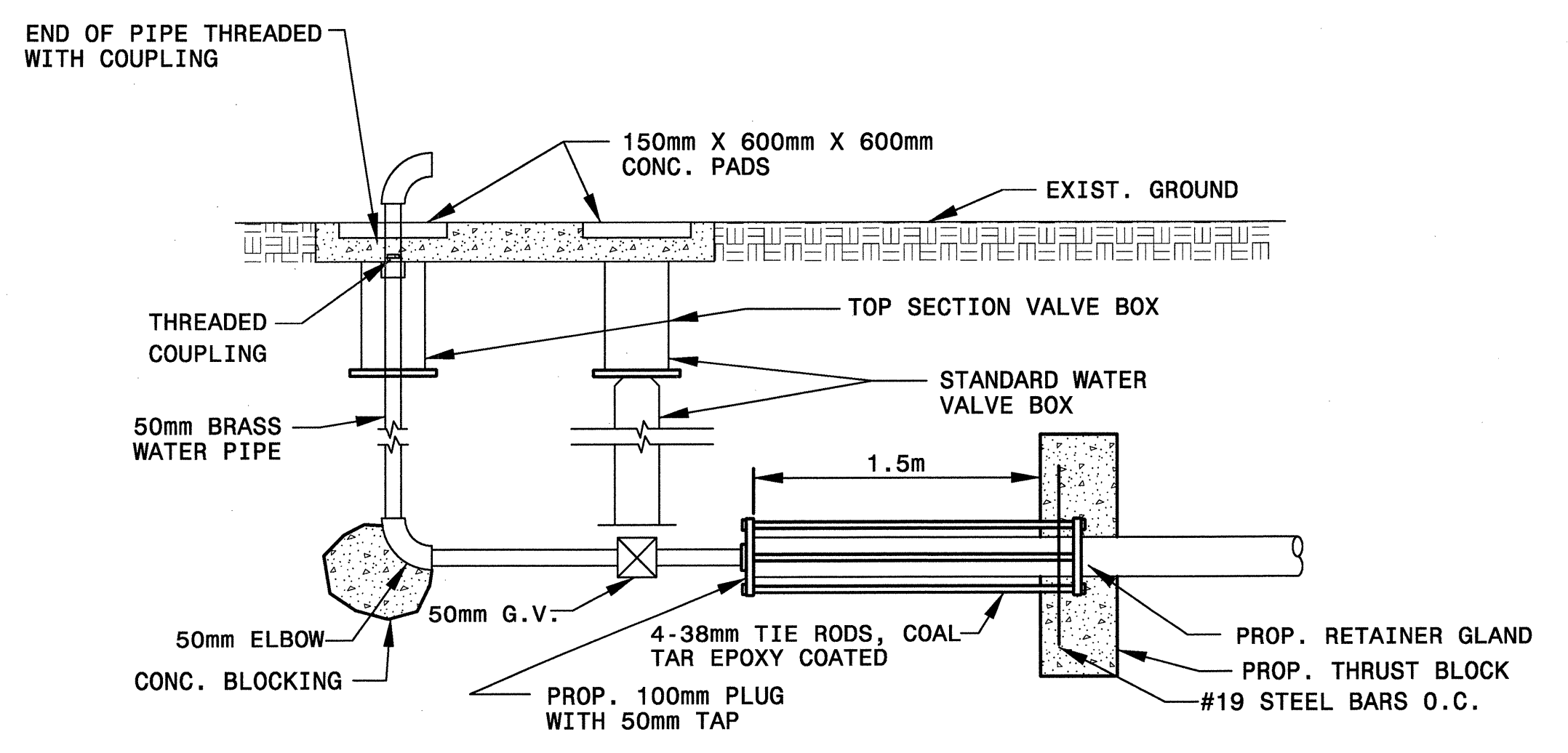


THRUST COLLAR DETAIL



NOTE:
VERTICAL STEEL
#19 BARS, 650mm LONG, 6 REQ'D
HORIZONTAL STEEL
#19 BARS, 1.250m LONG, 4 REQ'D
#19 BARS, 450mm LONG, 4 REQ'D
DIAGONAL STEEL
#19 BARS, 450mm LONG, 8 REQ'D

THRUST RESTRAINT WITH RETAINER GLAND FOR PROPOSED 50MM BLOW OFF ASSEMBLY



50mm BLOW OFF ASSEMBLY

63.7887.NC-2552B.DWG (N:\A\2552B\UC-13.dwg) 02/08/2005 04:08:17 PM