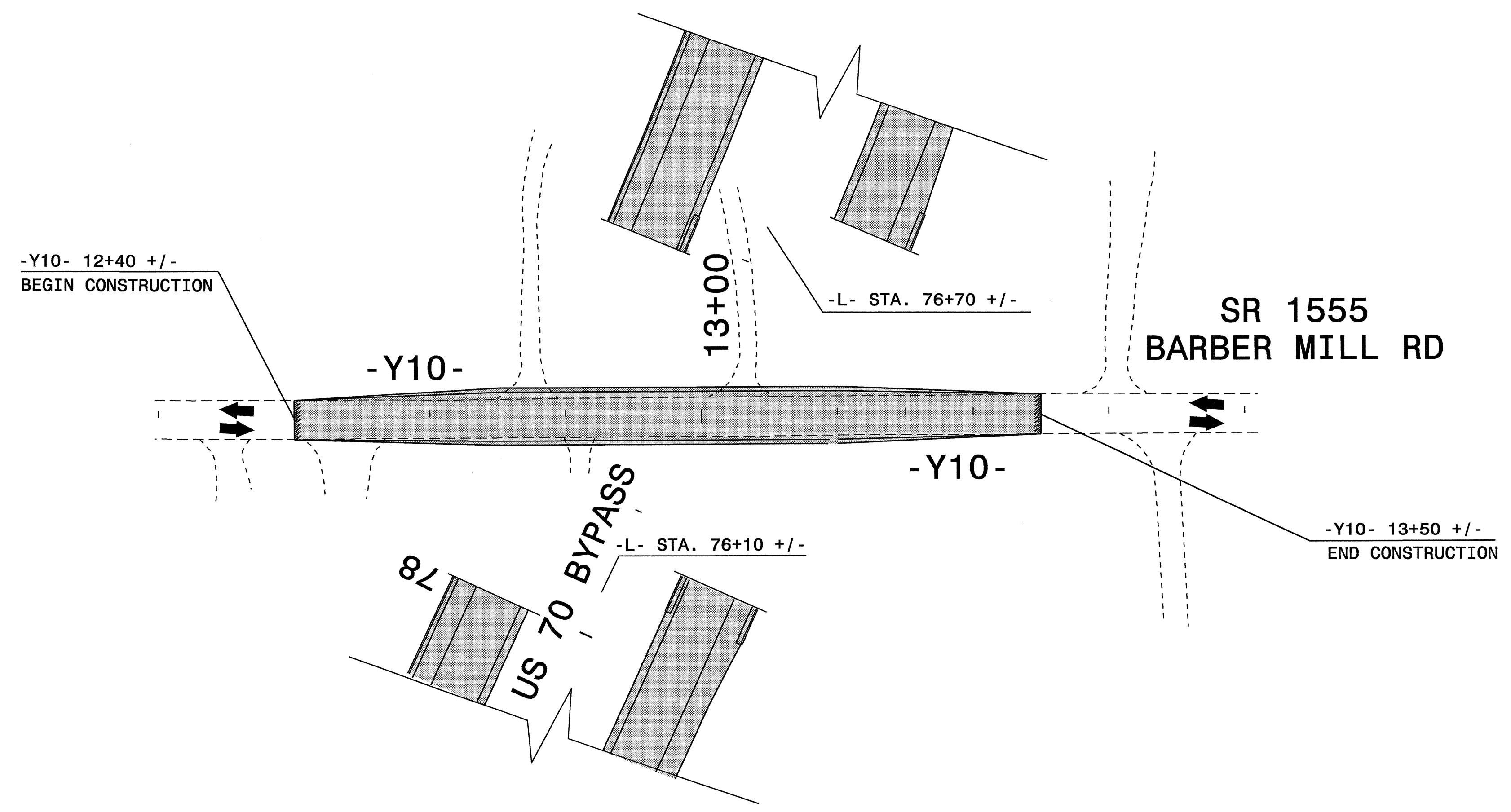
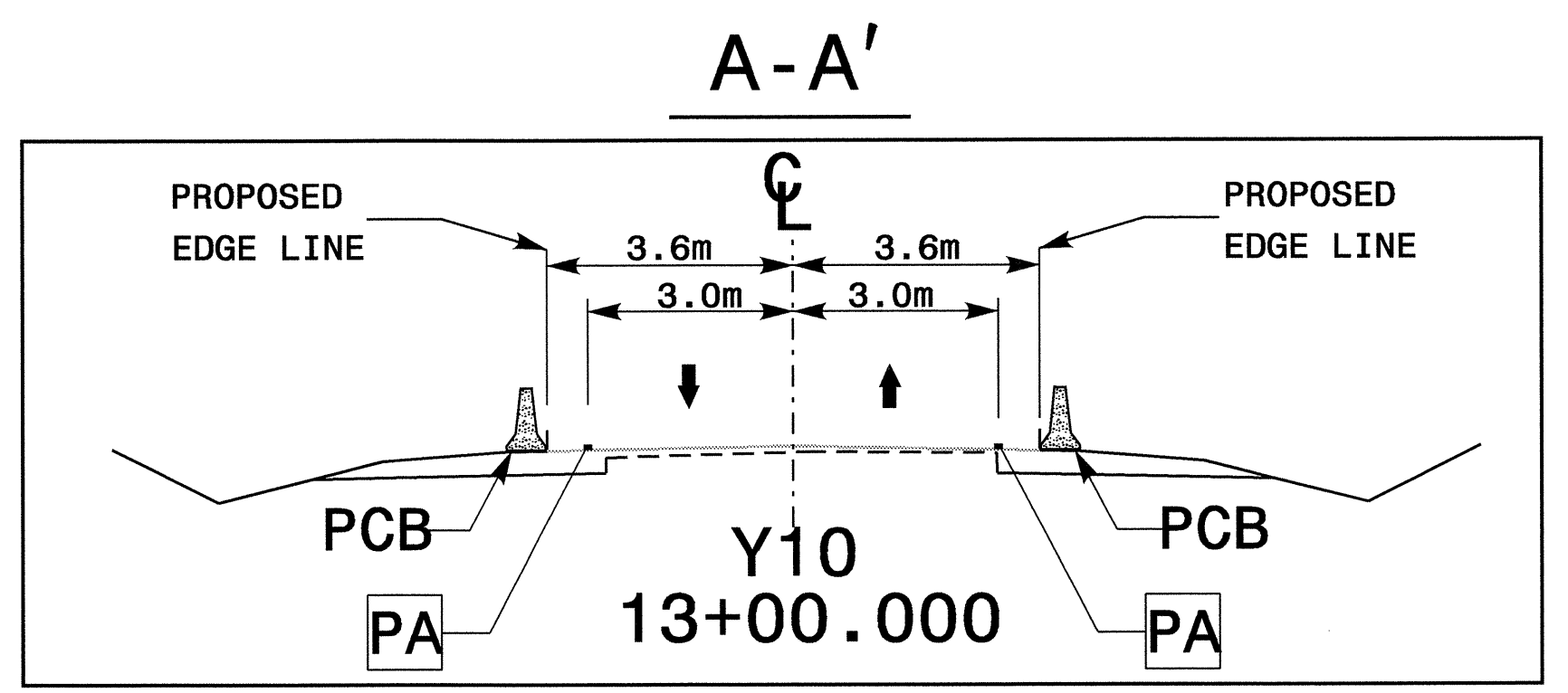
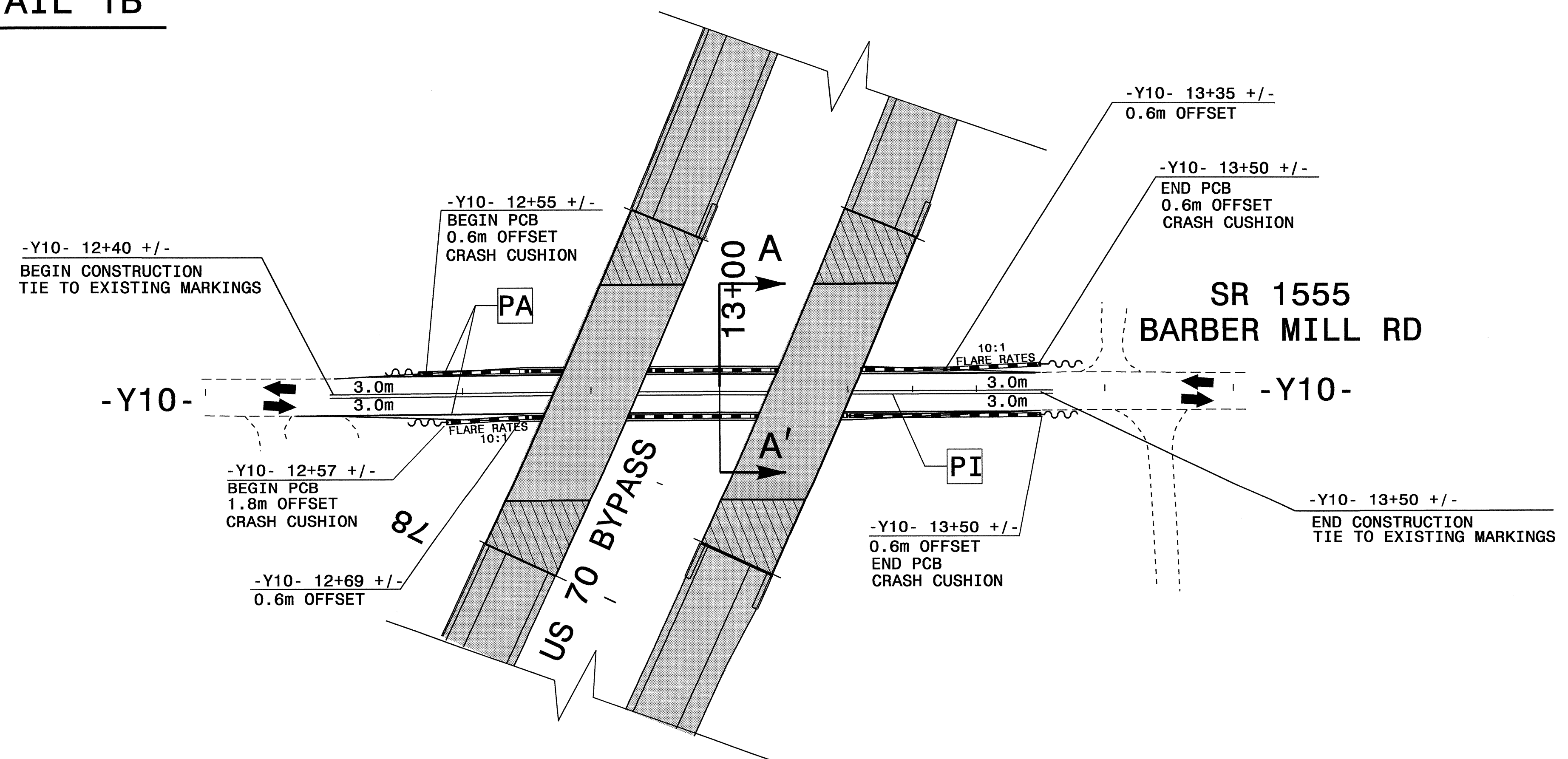




DETAIL 1A



DETAIL 1B



APPROVED: *Joseph Ishik* DATE: 2/2/05

AREA I DETAIL 1

SCALE: NONE		REVISIONS
DATE: JAN. 2005		
DWG. BY: HAL		
DESIGN BY: HAL		
REVIEWED BY: JLP		

01-FEB-2005 07:19
 \\nets-cgfsunr2552b&c\tcp\hal\illr2552b&c\tc-btcp.dgn
 halawaridos AT 1E1208424