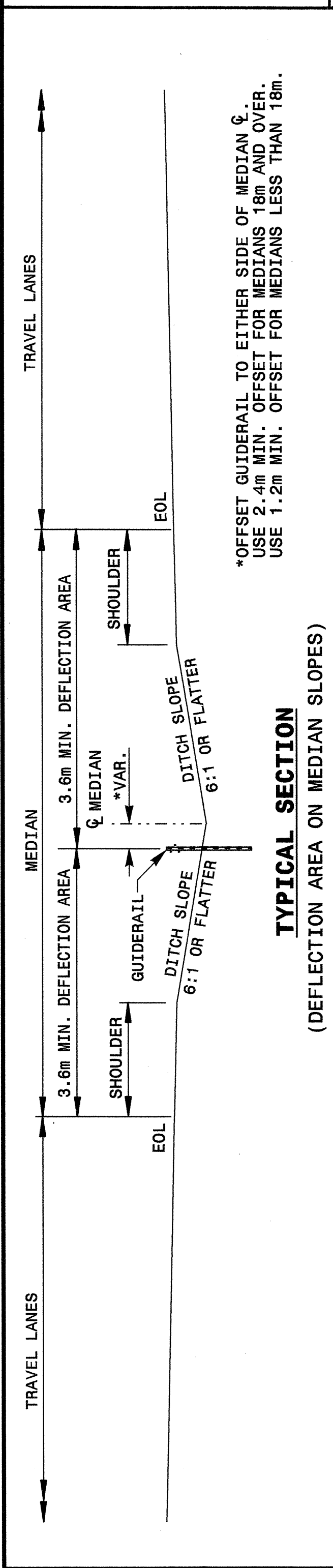




STATE OF NORTH CAROLINA
DEPT. OF TRANSPORTATION
DIVISION OF HIGHWAYS
RALEIGH, N.C.

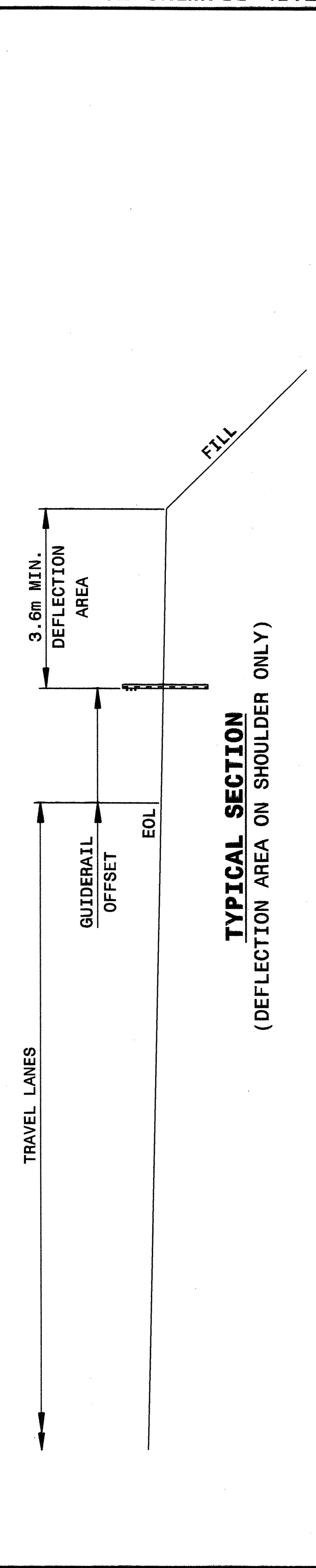
METRIC DETAIL DRAWING FOR
CABLE GUIDERAIL
DESIGN AND PLACEMENT

SHEET 3 OF 11
865D01



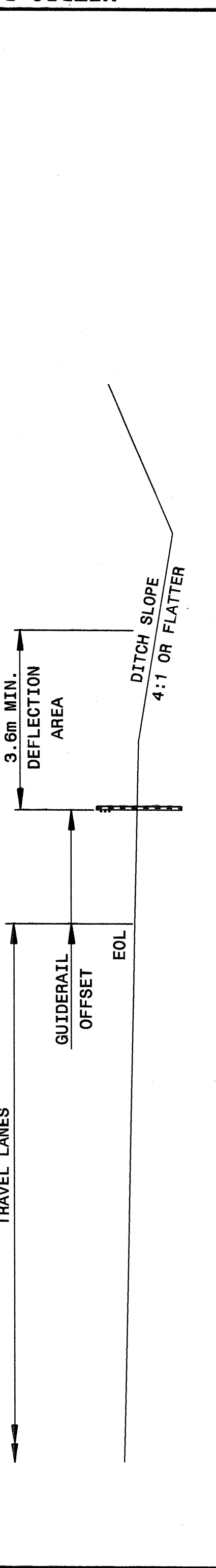
TYPICAL SECTION
(DEFLECTION AREA ON MEDIAN SLOPES)

DOUBLE FACE GUIDERAIL APPLICATION



TYPICAL SECTION
(DEFLECTION AREA ON SHOULDER ONLY)

SINGLE FACE GUIDERAIL APPLICATION



TYPICAL SECTION
(DEFLECTION AREA ON SHOULDER AND DITCH SLOPE)

SINGLE FACE GUIDERAIL APPLICATION

Note:
This drawing is dimensioned in millimeters unless otherwise depicted within the drawing.

STATE OF NORTH CAROLINA
DEPT. OF TRANSPORTATION
DIVISION OF HIGHWAYS
RALEIGH, N.C.

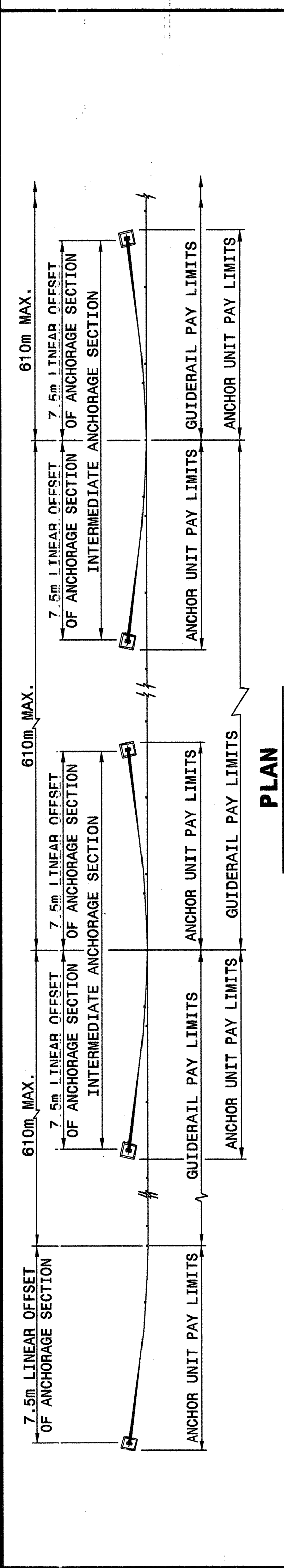
METRIC DETAIL DRAWING FOR
CABLE GUIDERAIL
DESIGN AND PLACEMENT

SHEET 3 OF 11
865D01

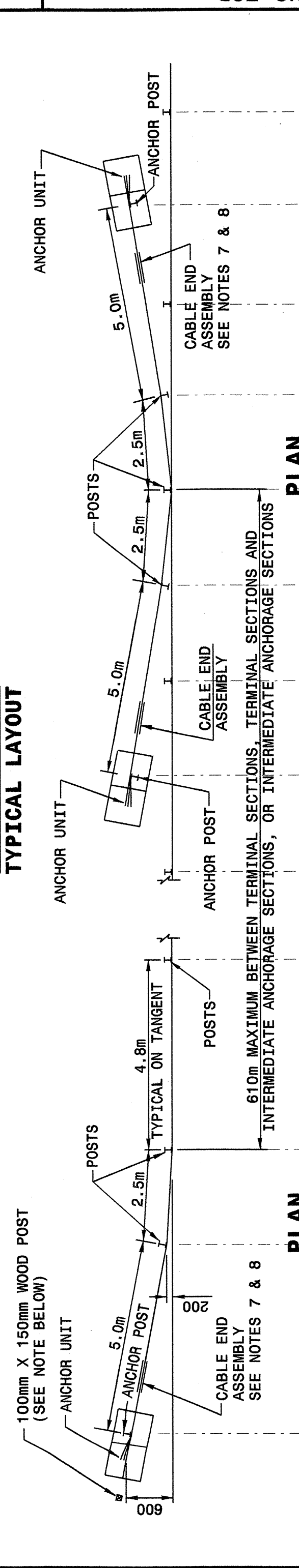
STATE OF NORTH CAROLINA
DEPT. OF TRANSPORTATION
DIVISION OF HIGHWAYS
RALEIGH, N.C.

METRIC DETAIL DRAWING FOR
CABLE GUIDERAIL
GUIDERAIL LAYOUT

SHEET 4 OF 11
865D01

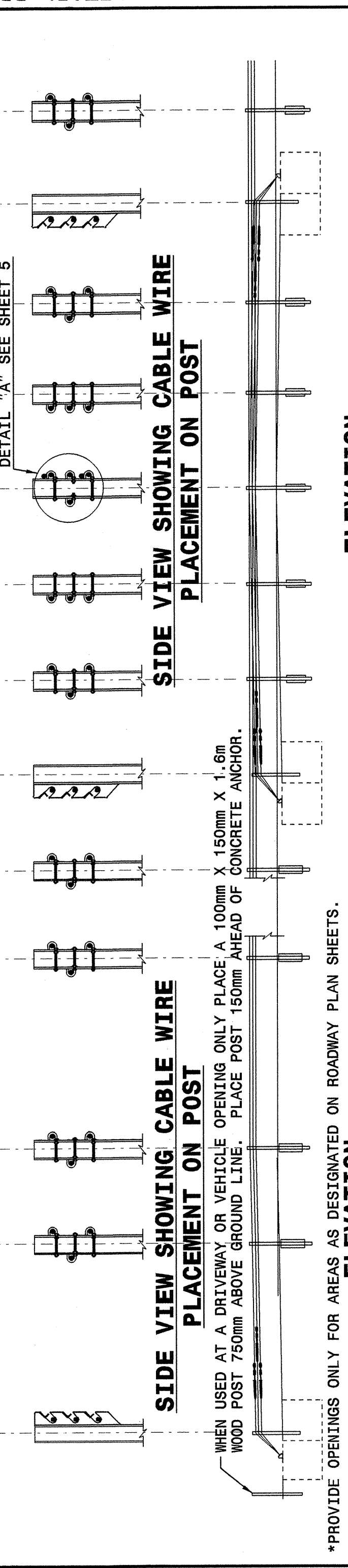


TYPICAL LAYOUT



TYPICAL APPROACH & TERMINAL SECTIONS

TYPICAL INTERMEDIATE ANCHORAGE SECTION



ELEVATION

ELEVATION

*PROVIDE OPENINGS ONLY FOR AREAS AS DESIGNATED ON ROADWAY PLAN SHEETS.

Note: TYPICAL APPROACH & TERMINAL SECTIONS
This drawing is dimensioned in millimeters unless otherwise depicted within the drawing.

STATE OF NORTH CAROLINA
DEPT. OF TRANSPORTATION
DIVISION OF HIGHWAYS
RALEIGH, N.C.

METRIC DETAIL DRAWING FOR
CABLE GUIDERAIL
GUIDERAIL LAYOUT

SHEET 4 OF 11
865D01



DESIGN SERVICES UNIT
STANDARDS AND SPECIAL DESIGN
Office 919-250-4128 FAX 919-250-4119

SEE PLATE FOR TITLE

ORIGINAL BY: 2002 STANDARDS DATE: 1-15-02
MODIFIED BY: E.E. WARD DATE: 4-07-04
CHECKED BY: C. B. Leary DATE: 4-16-04
FILE SPEC.: /usr/std/02stds to details/metric/86501/0865d01.dgn

I:\APR-2004_0845
M:\Special Details\ward\stds\02stds to Special Details\metric\86501\0865d01.dgn
entward AT 05:21:36