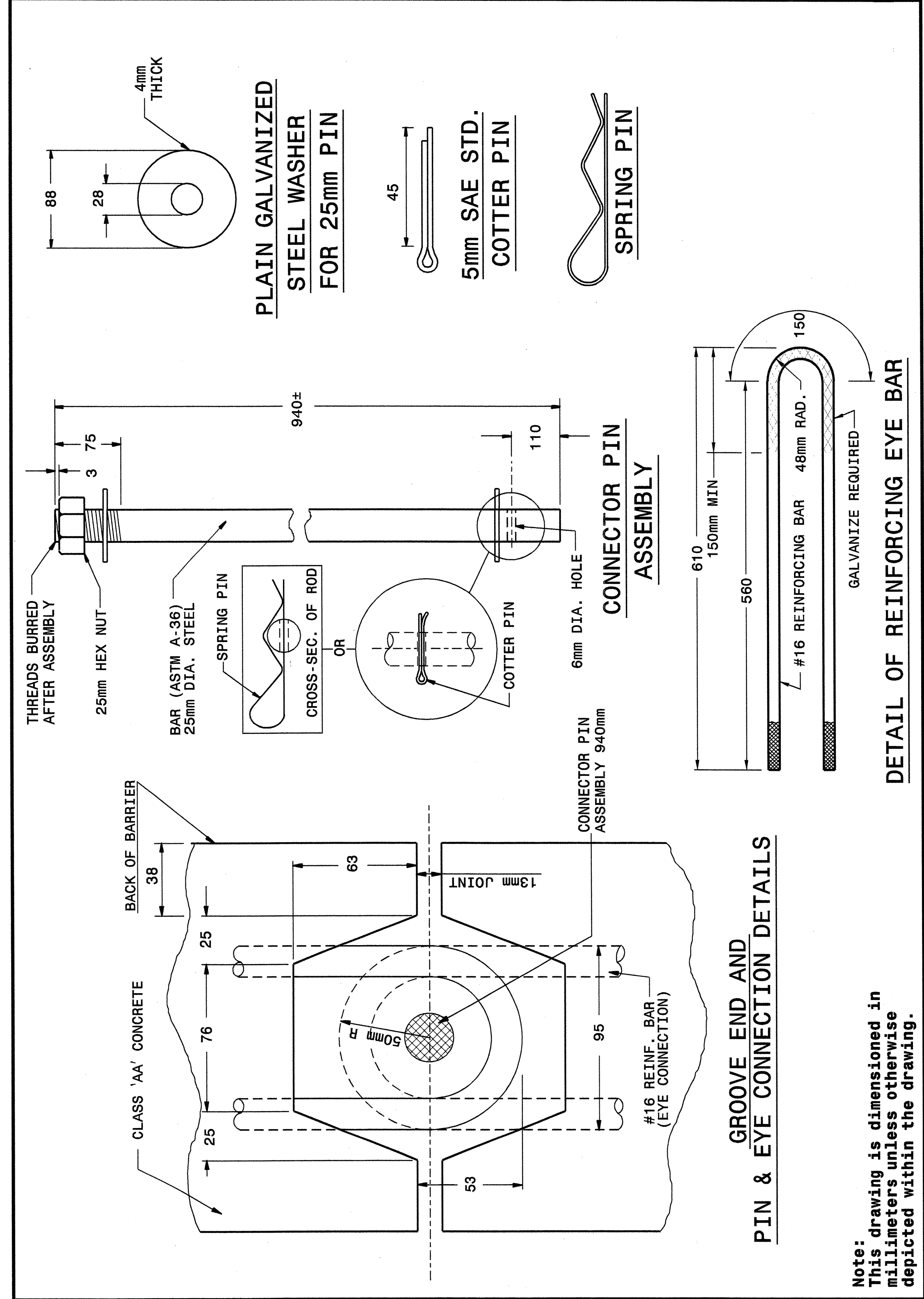




STATE OF NORTH CAROLINA
DEPT. OF TRANSPORTATION
DIVISION OF HIGHWAYS
RALEIGH, N.C.

METRIC DETAIL DRAWING FOR
**PRECAST REINFORCED
CONCRETE BARRIER**
1.0m SINGLE FACED

SHEET 7 OF 8
857D01



STATE OF NORTH CAROLINA
DEPT. OF TRANSPORTATION
DIVISION OF HIGHWAYS
RALEIGH, N.C.

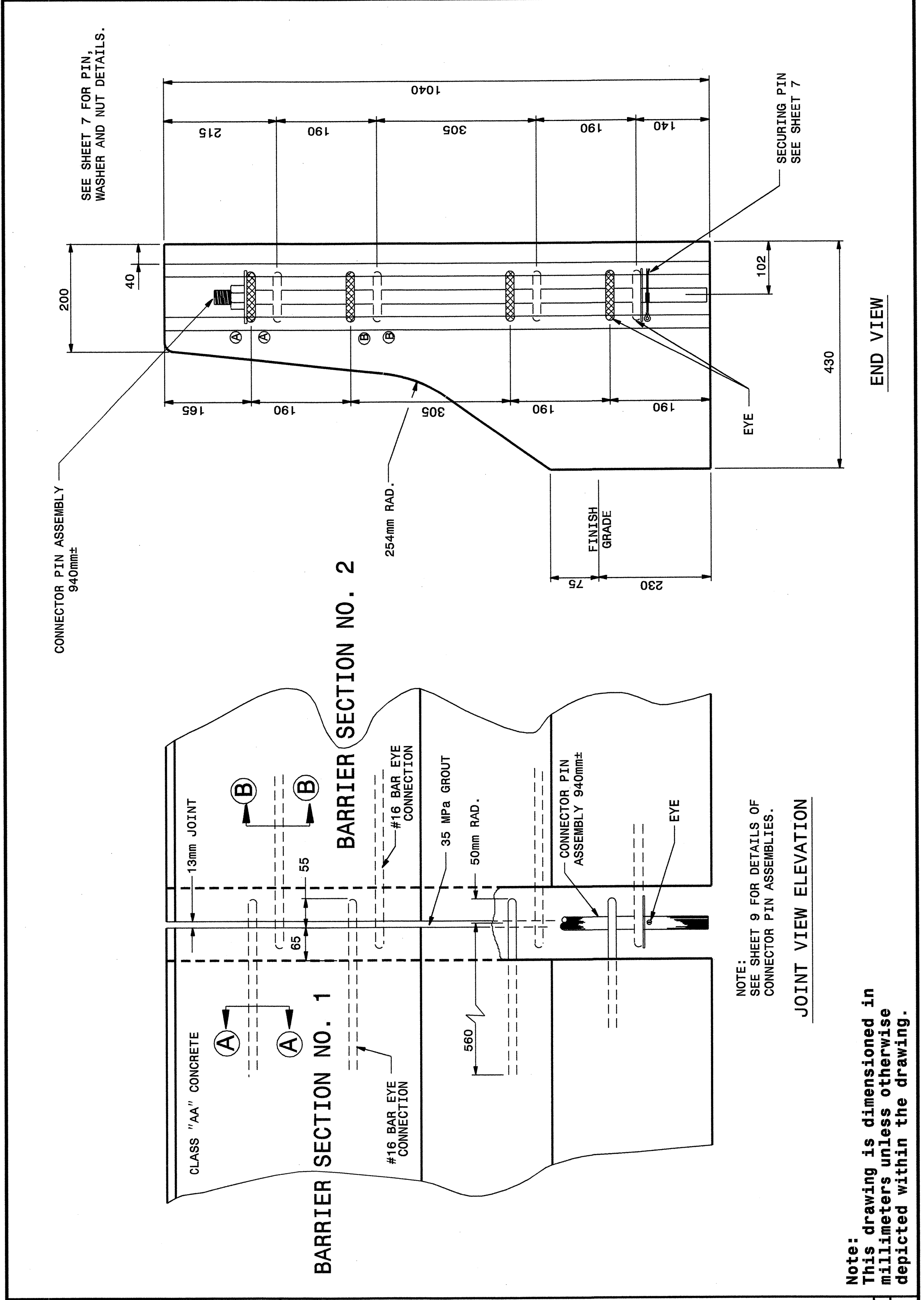
METRIC DETAIL DRAWING FOR
**PRECAST REINFORCED
CONCRETE BARRIER**
1.0m SINGLE FACED

SHEET 7 OF 8
857D01

STATE OF NORTH CAROLINA
DEPT. OF TRANSPORTATION
DIVISION OF HIGHWAYS
RALEIGH, N.C.

METRIC DETAIL DRAWING FOR
**PRECAST REINFORCED
CONCRETE BARRIER**
1.0m SINGLE FACED

SHEET 8 OF 8
857D01



STATE OF NORTH CAROLINA
DEPT. OF TRANSPORTATION
DIVISION OF HIGHWAYS
RALEIGH, N.C.

METRIC DETAIL DRAWING FOR
**PRECAST REINFORCED
CONCRETE BARRIER**
1.0m SINGLE FACED

SHEET 8 OF 8
857D01



**DESIGN SERVICES UNIT
STANDARDS AND SPECIAL DESIGN**
Office 919-250-4128 FAX 919-250-4119

SEE PLATE FOR TITLE

ORIGINAL BY: 2002 STD.857.01 DATE:
MODIFIED BY: E.E. WARD DATE: 6-12-03
CHECKED BY: C.B. Perry DATE: 4-12-04
FILE SPEC.: /usr/stds/02tdetail/metric/85701/857d01m.dgn

C:\APP-2004_07259
W:\Special Details\ward\stds\02stds to Special Details\metric\85701\857d01m.dgn
Printed: 4/12/05