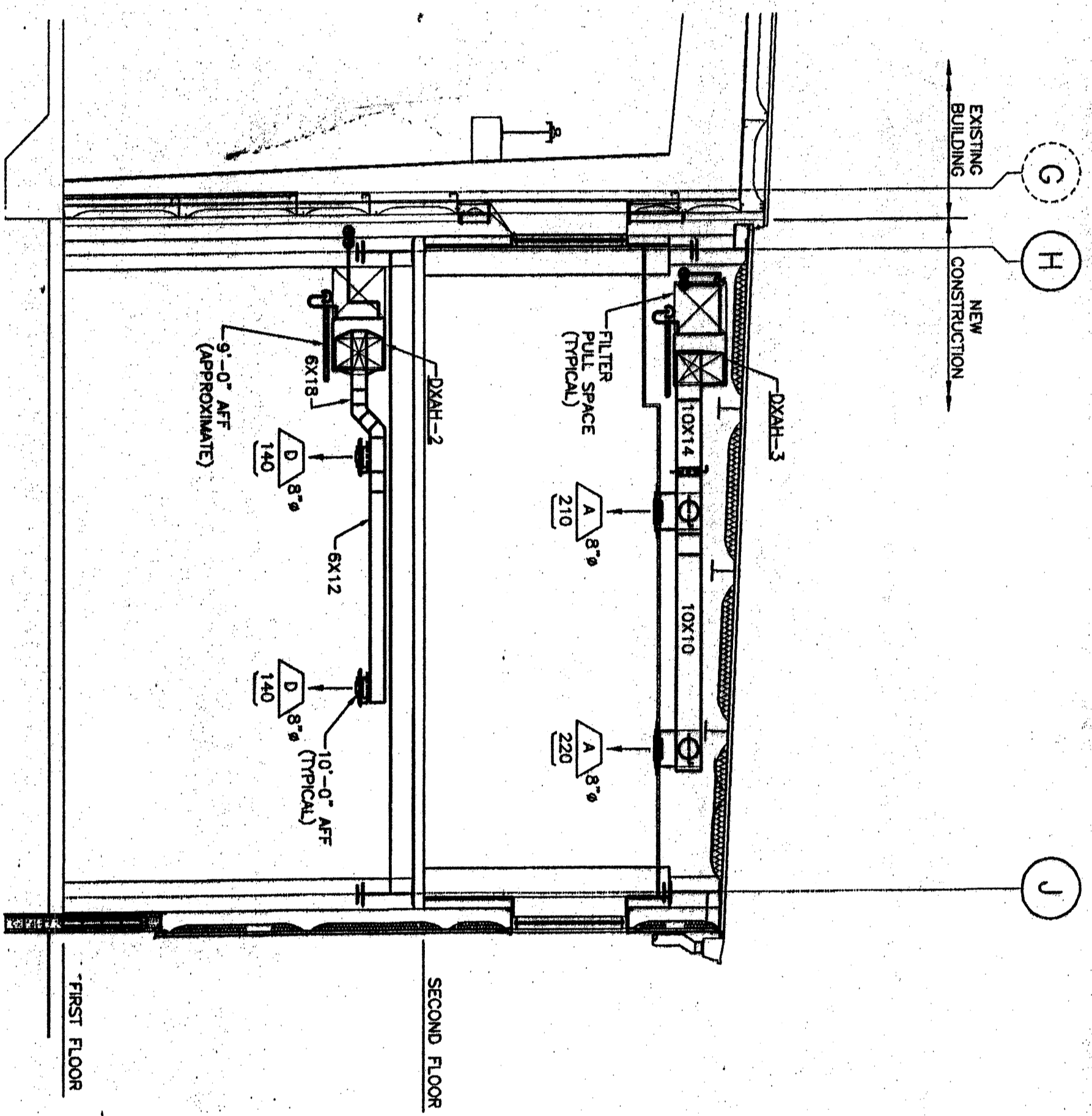
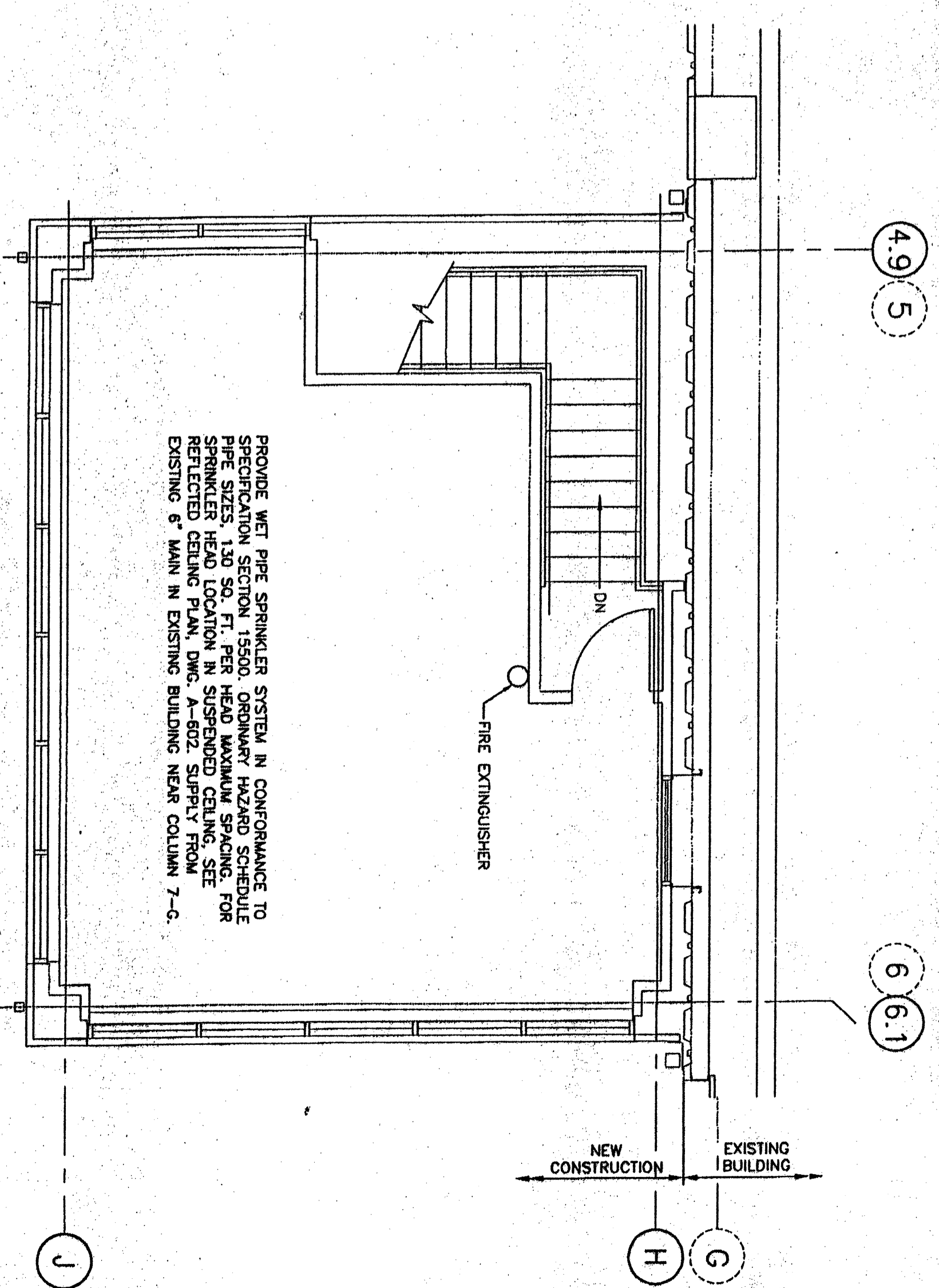


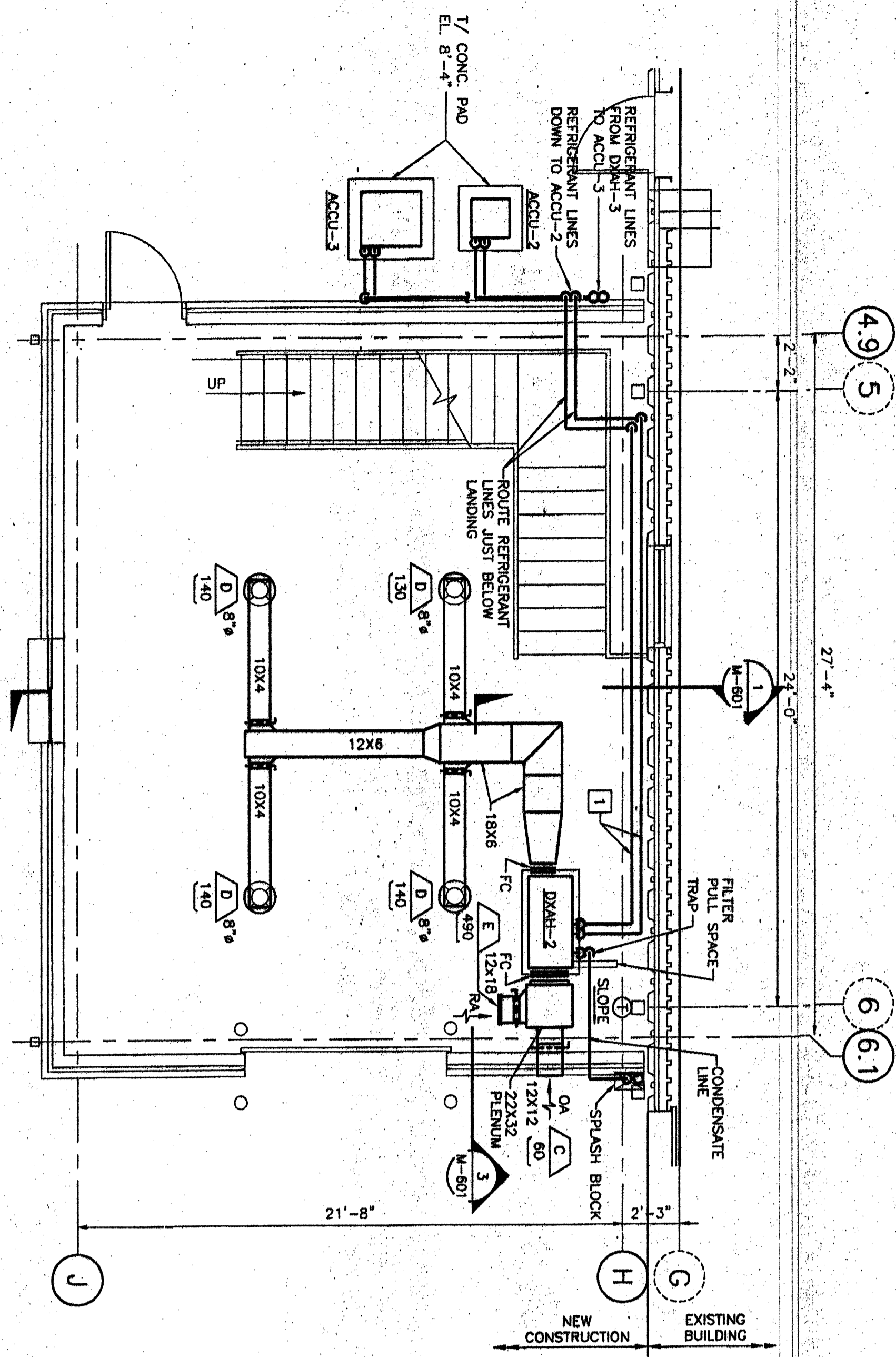
PLATEN OBSERVATION ROOM
HVAC SECOND FLOOR PLAN
SCALE: 1/4" = 1'-0"



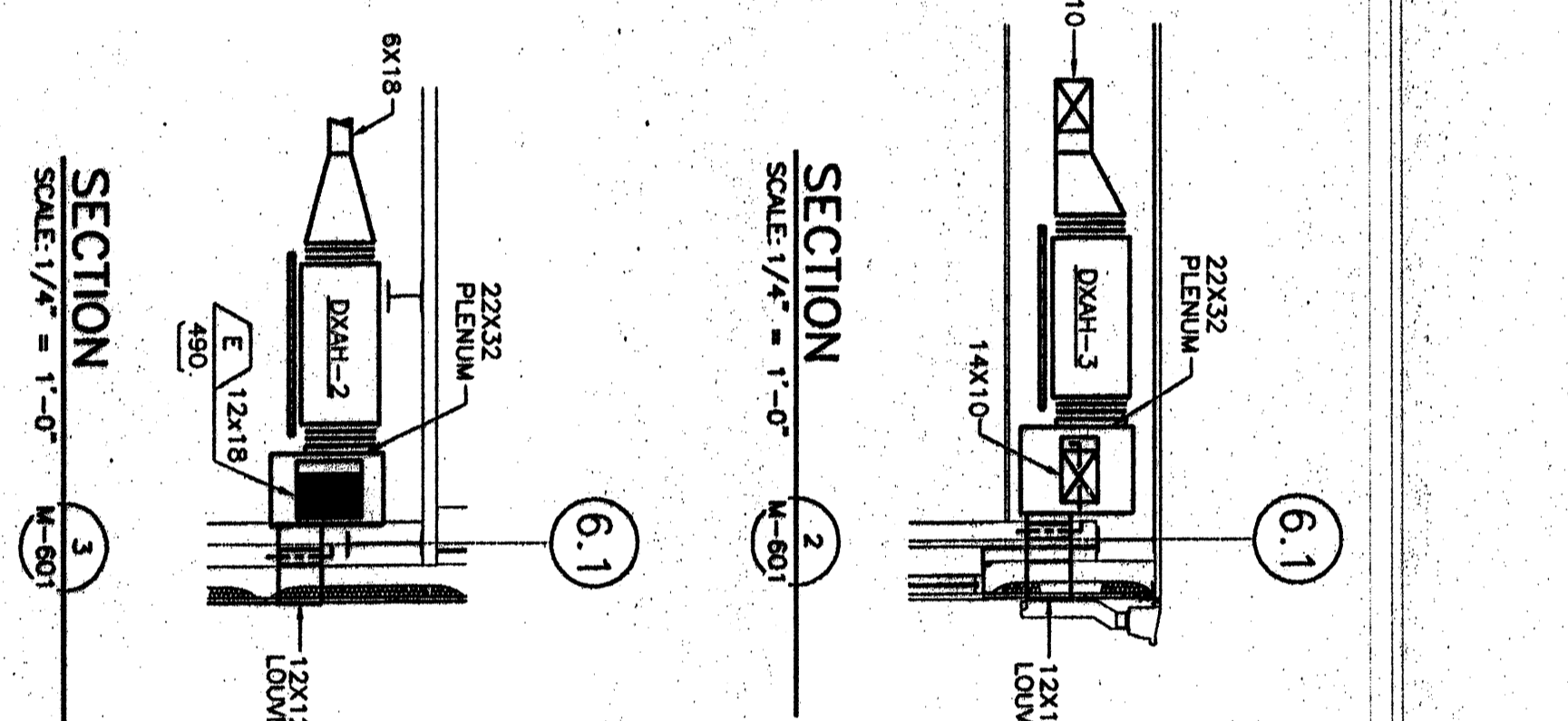
BUILDING SECTION
SCALE: 1/4" = 1'-0"



PLATEN OBSERVATION ROOM
MECHANICAL SECOND FLOOR PLAN
SCALE: 1/4" = 1'-0"

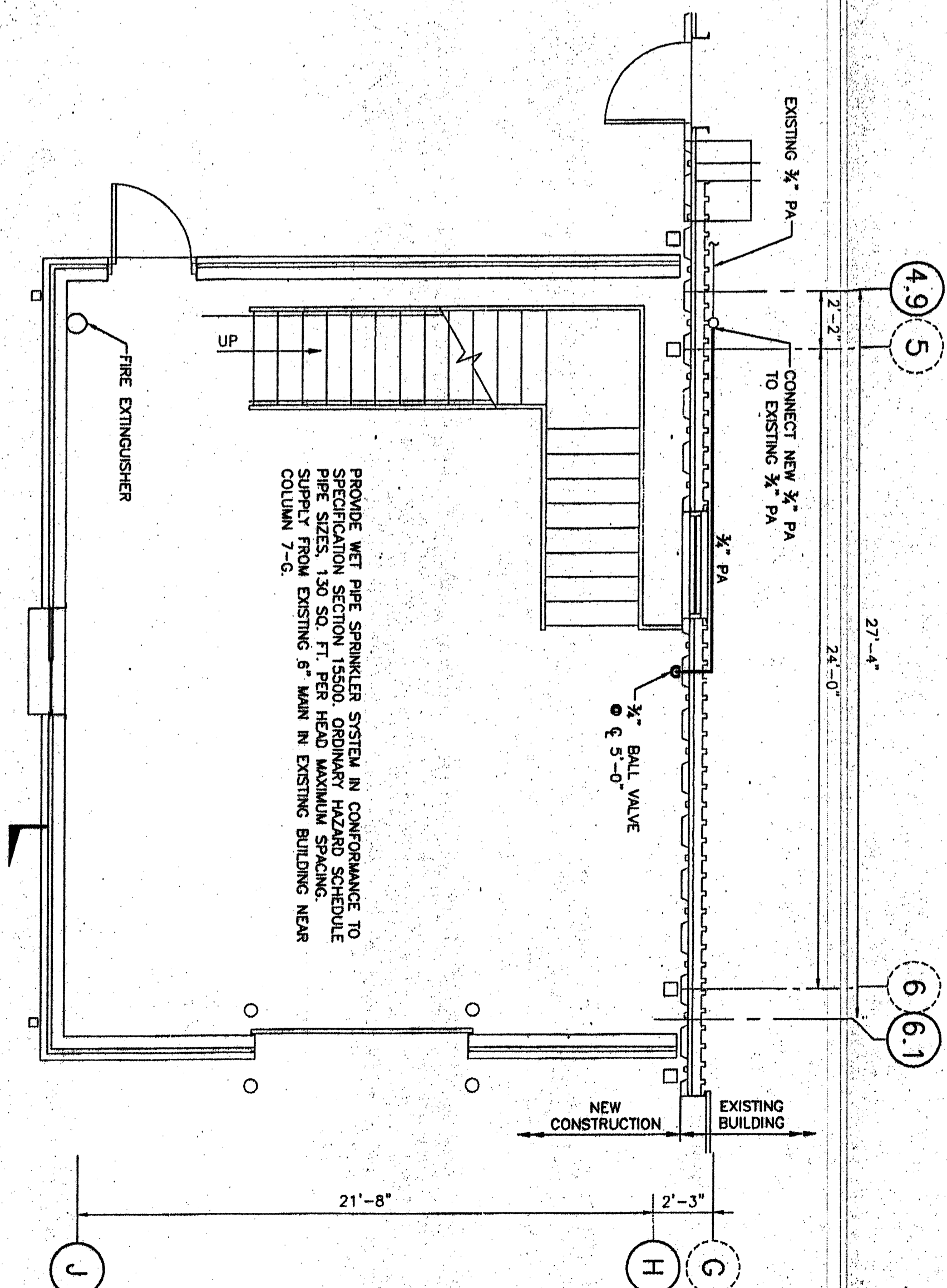


TOOL ROOM
HVAC FIRST FLOOR PLAN
SCALE: 1/4" = 1'-0"

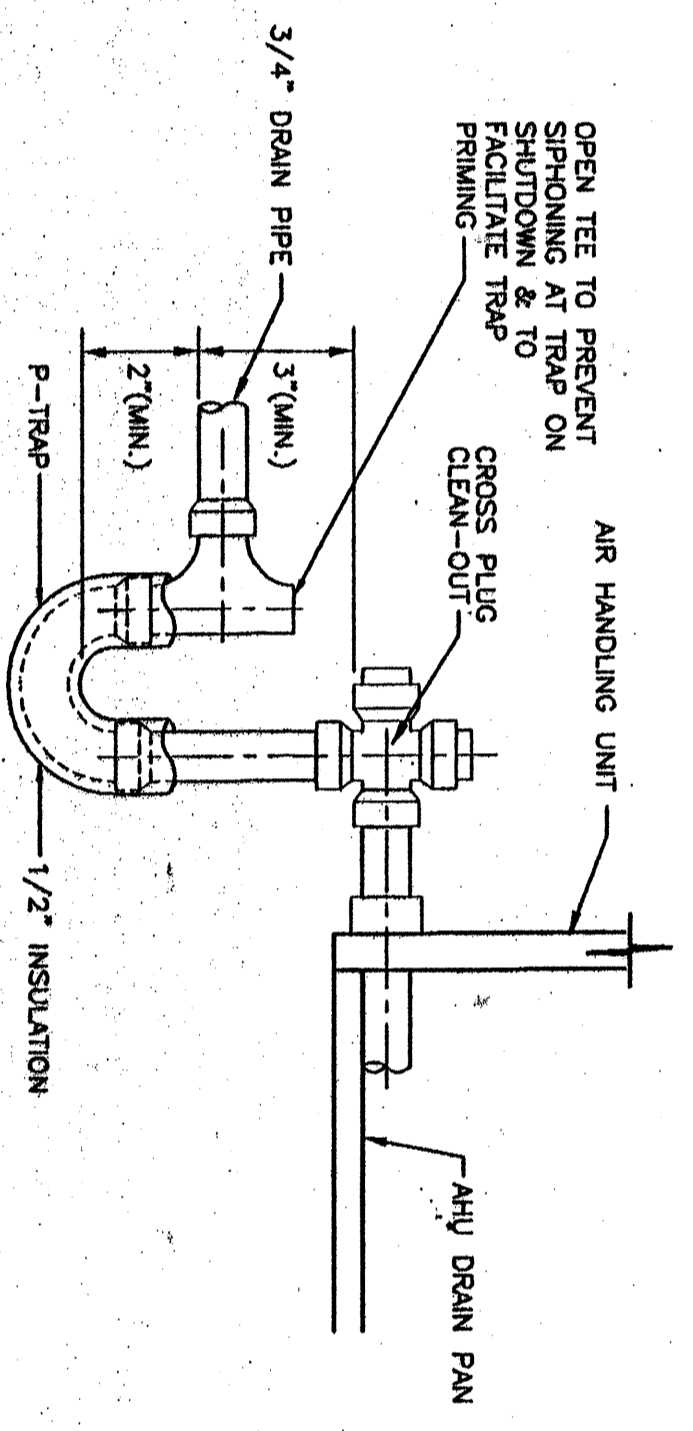


SECTION
SCALE: 1/4" = 1'-0"

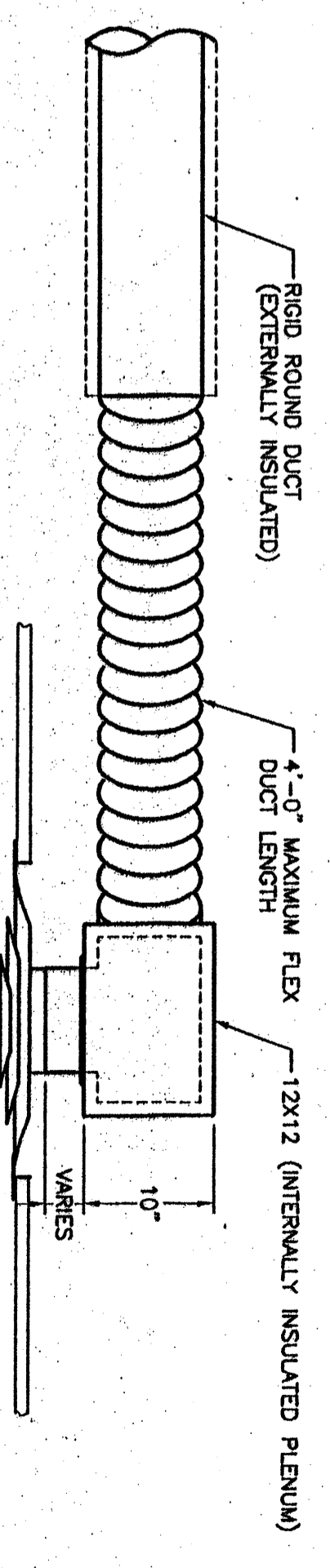
SECTION
SCALE: 1/4" = 1'-0"



MECHANICAL FIRST FLOOR PLAN
SCALE: 1/4" = 1'-0"



TYPICAL DXAH TRAP DETAIL
SCALE: NONE



DETAIL
SCALE: NONE

KEYED NOTES:
1 SIZE ALL REFRIGERANT LINES IN ACCORDANCE WITH MANUFACTURER'S RECOMMENDATIONS

NO.	DATE	DESCRIPTION
0	16 FEB 2005	ISSUED FOR BID/CONSTRUCTION - STAGE 1 PACKAGE
	JUN	JUN
	01	01
	05	05

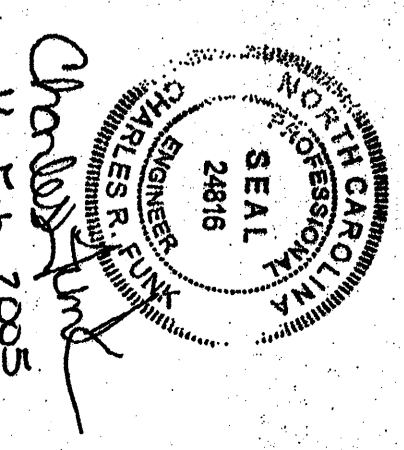
DESIGNED BY	J. MILLER
CHECKED BY	C. SMITH, D.S.
DATE	

LOCKWOOD GREENE
ENGINEERING & CONSTRUCTION
Spartanburg, South Carolina

MAIN BUILDING ADDITION
HVAC/MECHANICAL PLANS,
SECTIONS AND DETAILS

PHASE VII
MARINE MAINTENANCE FACILITY
NORTH CAROLINA DEPARTMENT OF TRANSPORTATION
MANN'S HARBOR, NC

DATE	01/19/04.03
SCALE	AS NOTED
NO.	0
DATE	H-702



16-F-6-2005