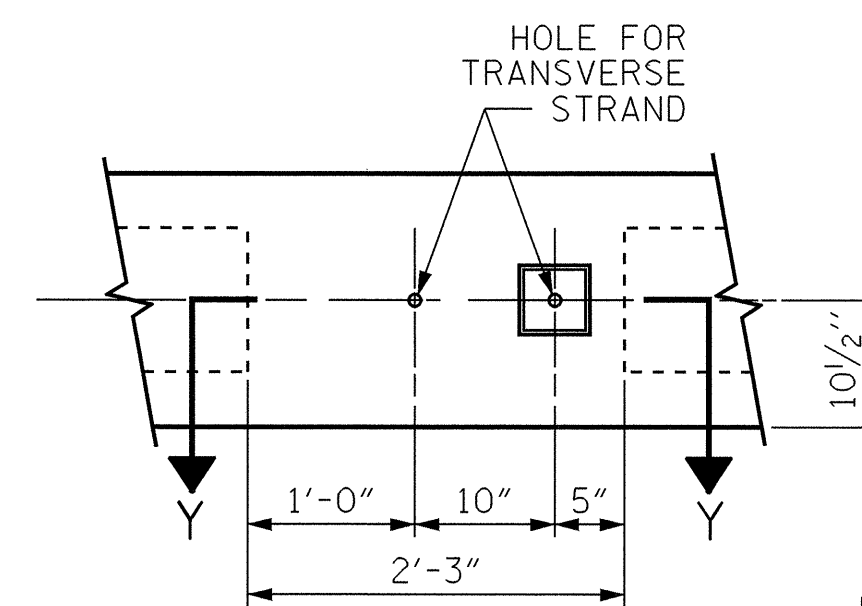
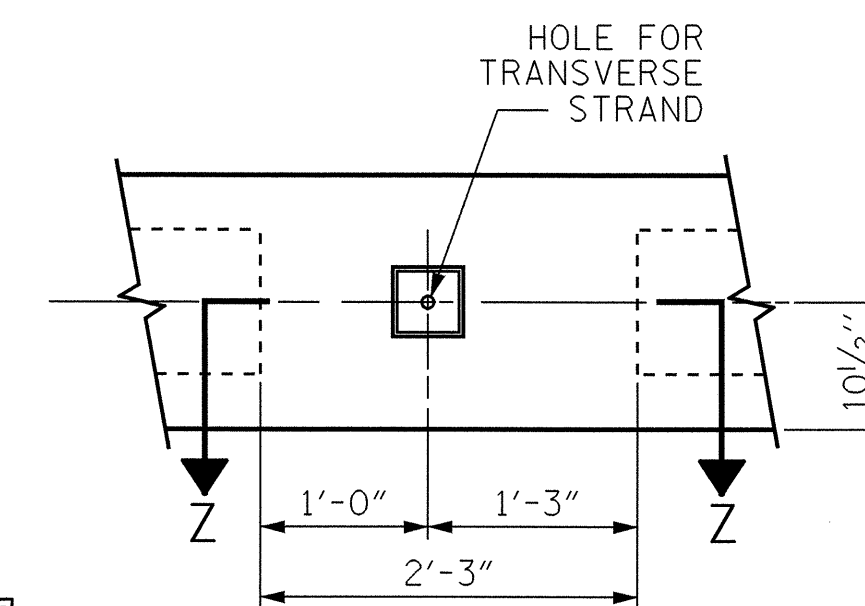


VIEW A-A
(SEE PLAN OF SPANS)

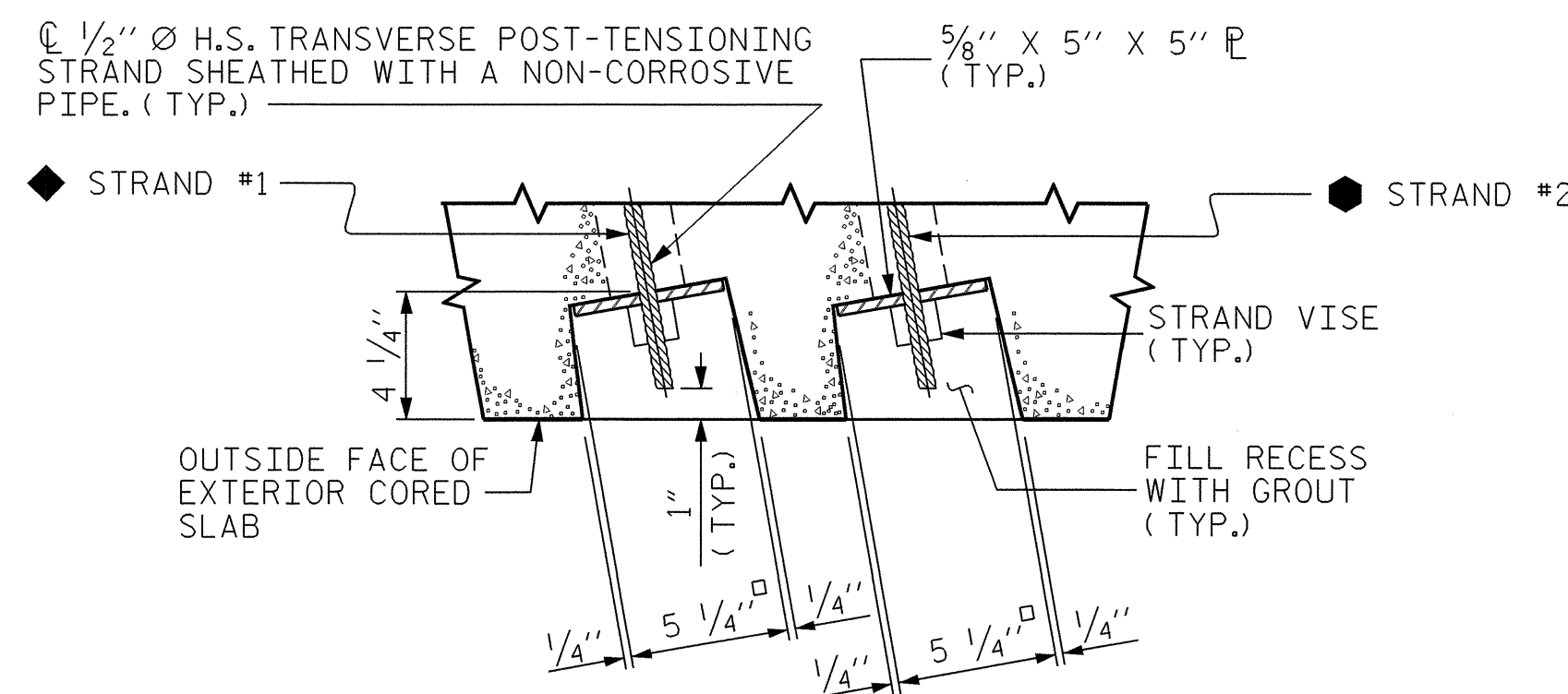


VIEW B-B
(SEE PLAN OF SPANS)

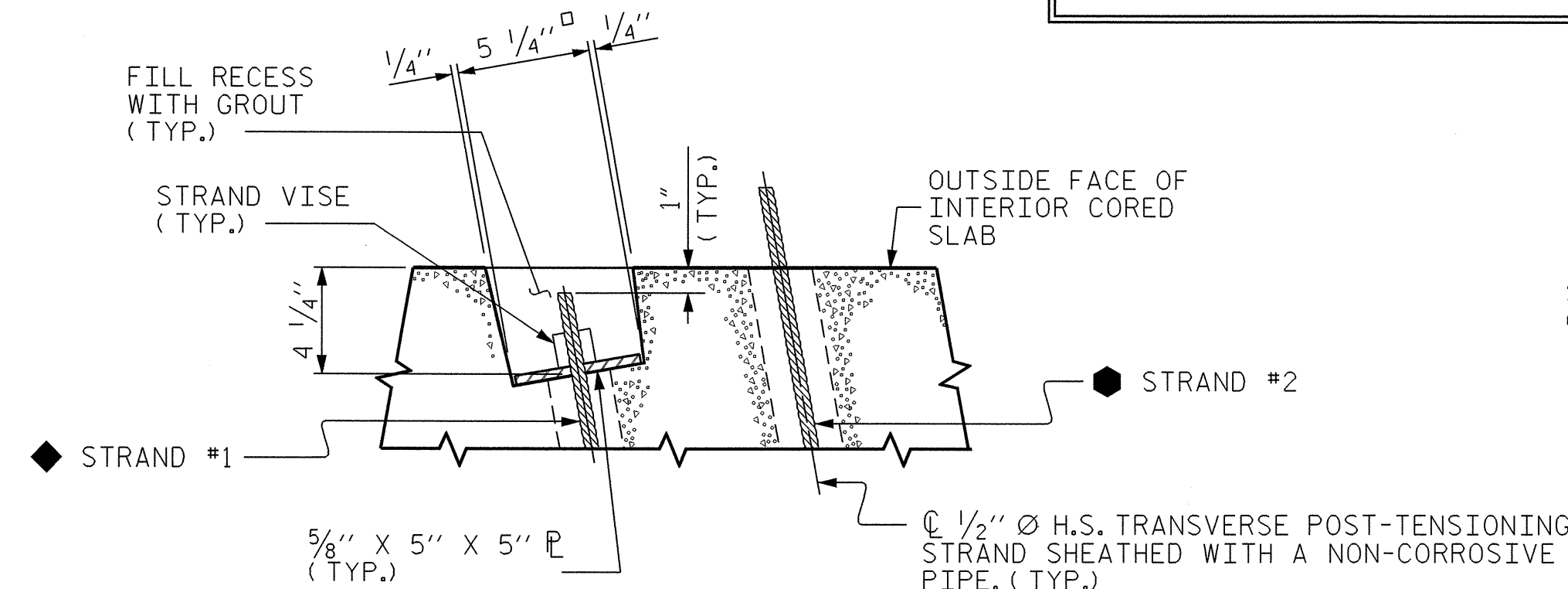


VIEW C-C
(SEE PLAN OF SPANS)

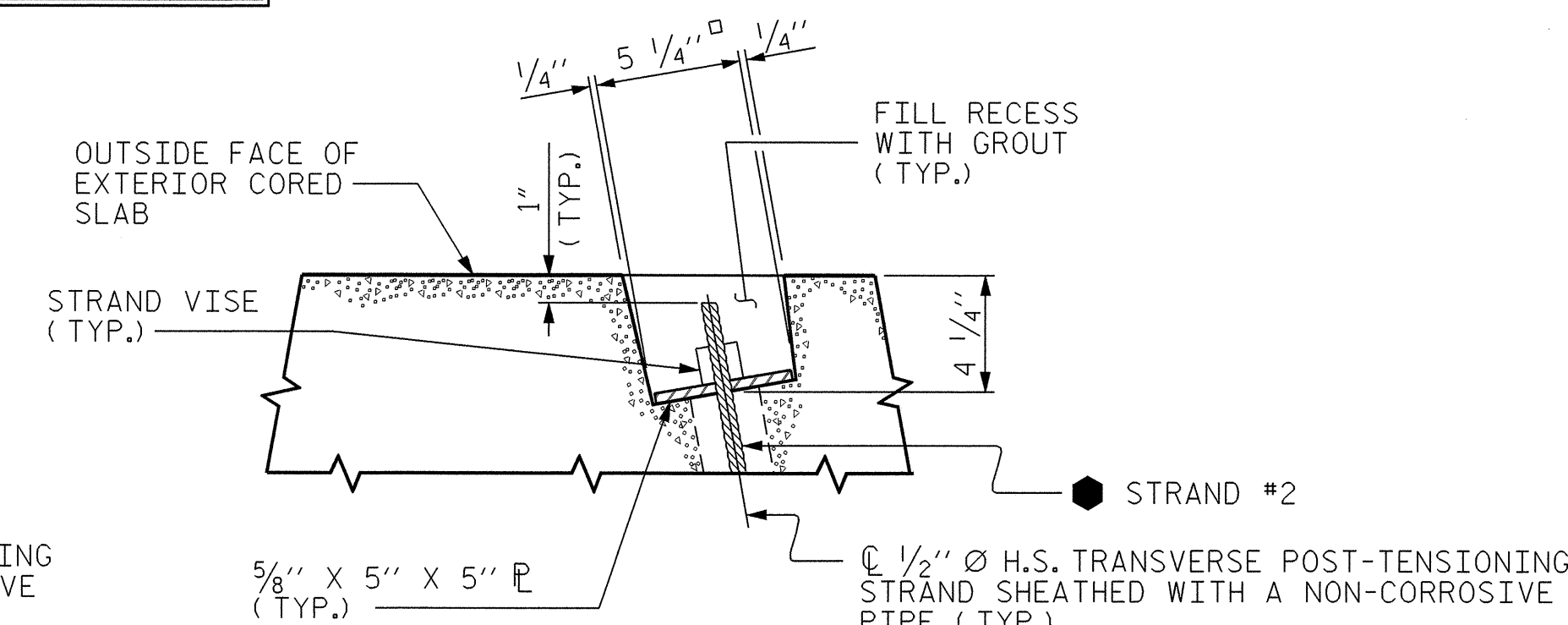
- ◆ STRAND #1 GOES THRU 6 CORED SLAB UNITS FOR STAGE 1 CONSTRUCTION.
- STRAND #2 GOES THRU ALL 17 CORED SLAB UNITS FOR STAGES 1 & 2 CONSTRUCTION.



SECTION X-X
(TYPE II UNIT - STAGE 1)

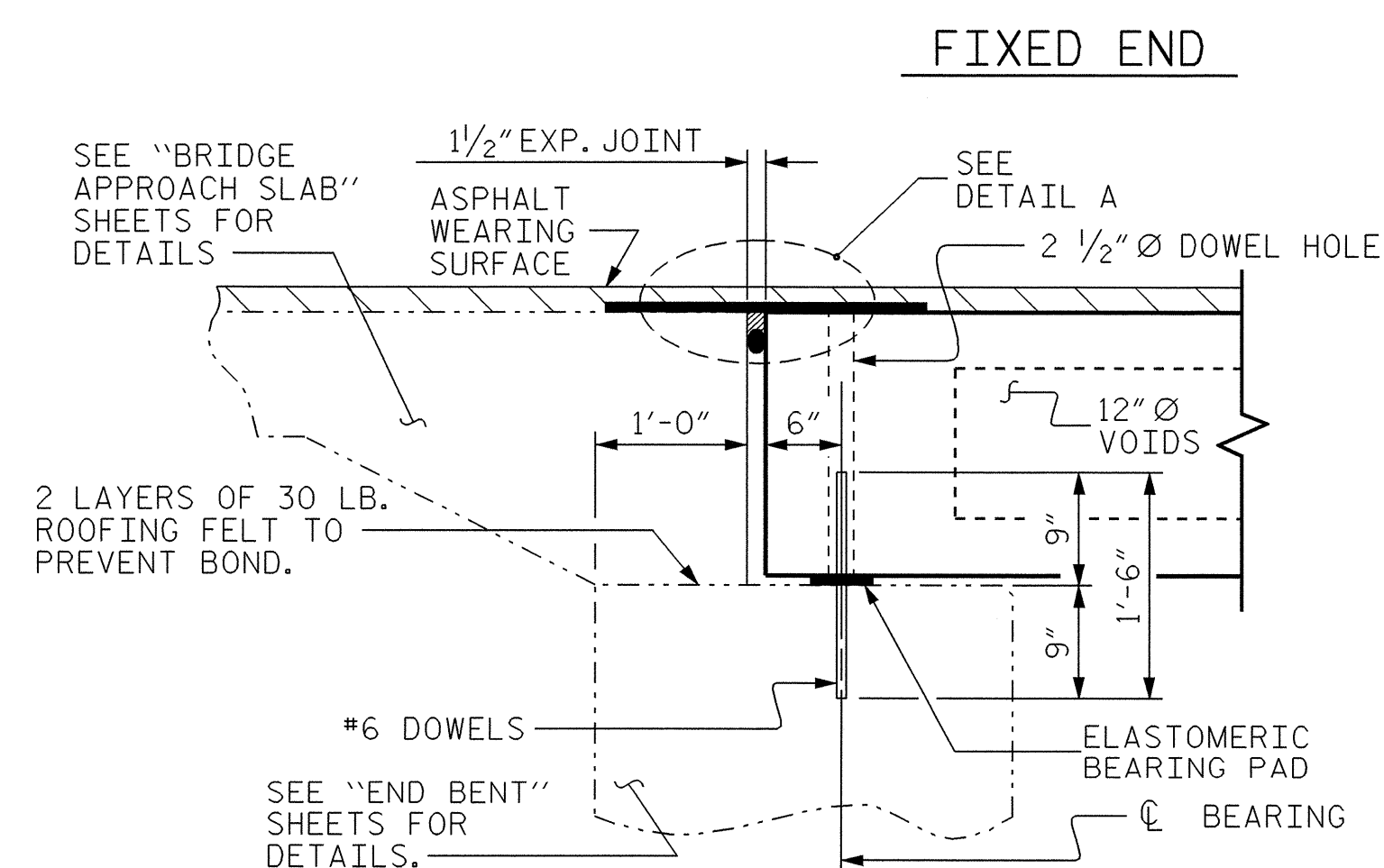


SECTION Y-Y
(TYPE III UNIT - STAGE 1)

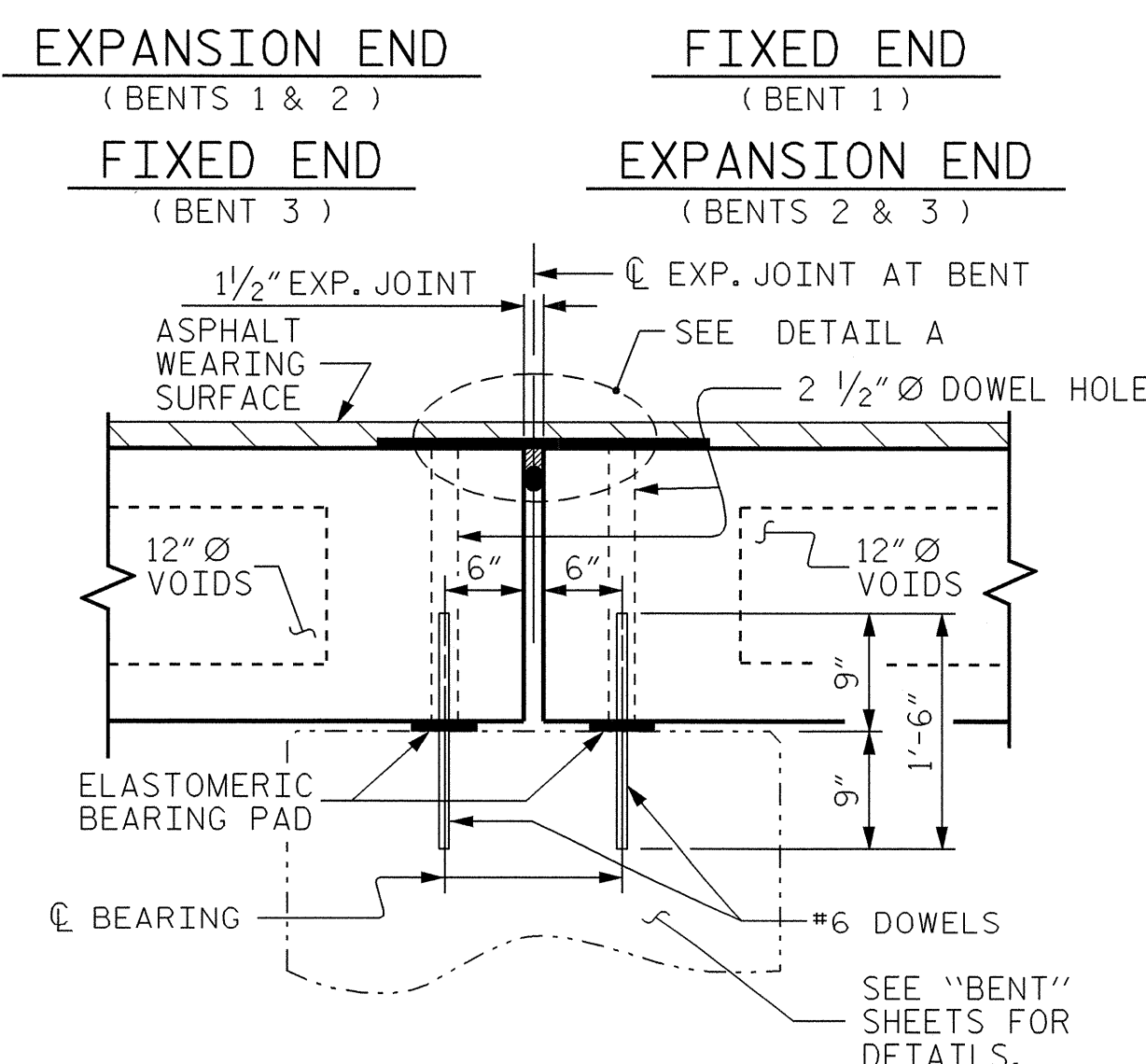


SECTION Z-Z
(TYPE V UNIT - STAGE 2)

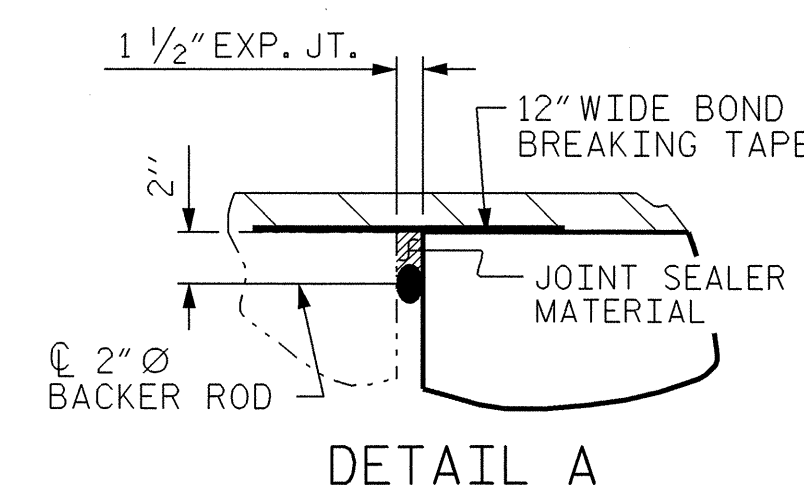
GROUTED RECESS AT END OF POST-TENSIONED STRAND CORED SLABS



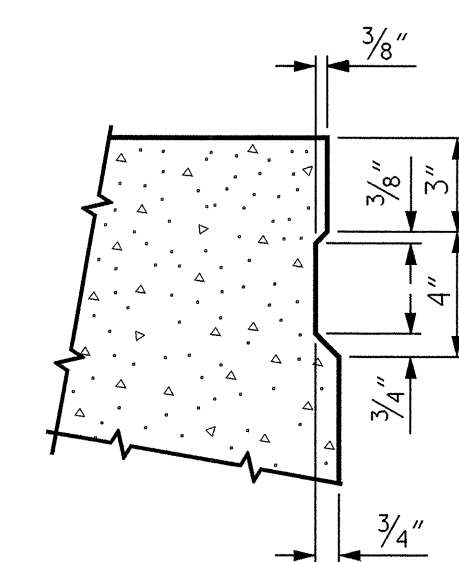
SECTION AT END BENT



SECTION AT BENTS



DETAIL A



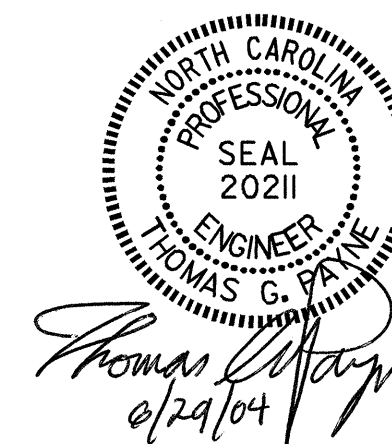
SHEAR KEY DETAIL

NOTE: OMIT SHEAR KEY ON OUTSIDE FACE OF EXTERIOR CORED SLAB.

PROJECT NO. B-3445
CURRITUCK COUNTY
 STATION: 24+18.00 -L-

SHEET 3 OF 3

STATE OF NORTH CAROLINA
 DEPARTMENT OF TRANSPORTATION
 RALEIGH
 SUPERSTRUCTURE
 TYPICAL SECTIONS



DRAWN BY: M. J. OSTRISHKO DATE: 1-12-02
 CHECKED BY: K. D. LAYNE DATE: 1-18-02

23-JUN-2004 16:37
 W:\squad1\b3445\Finalplans\b344501c\ts.dgn
 Klayne

REVISIONS						SHEET NO.	
NO.	BY:	DATE:	NO.	BY:	DATE:	S-7	
1			3			TOTAL SHEETS	43
2			4				