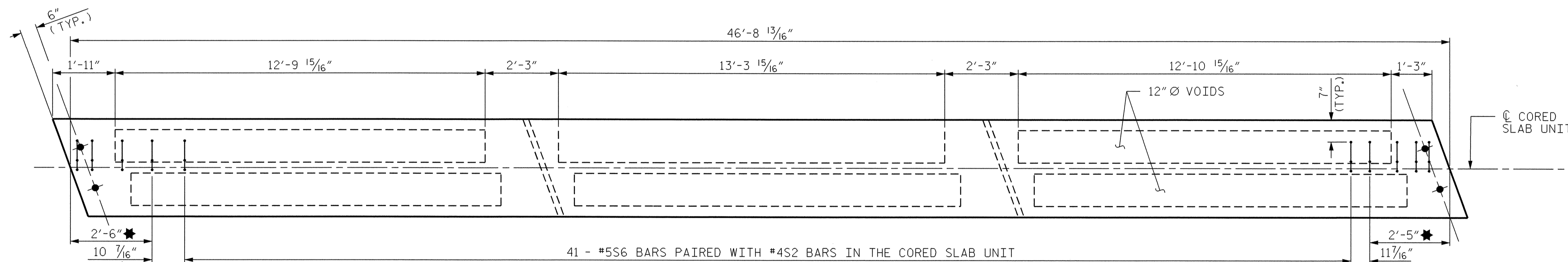


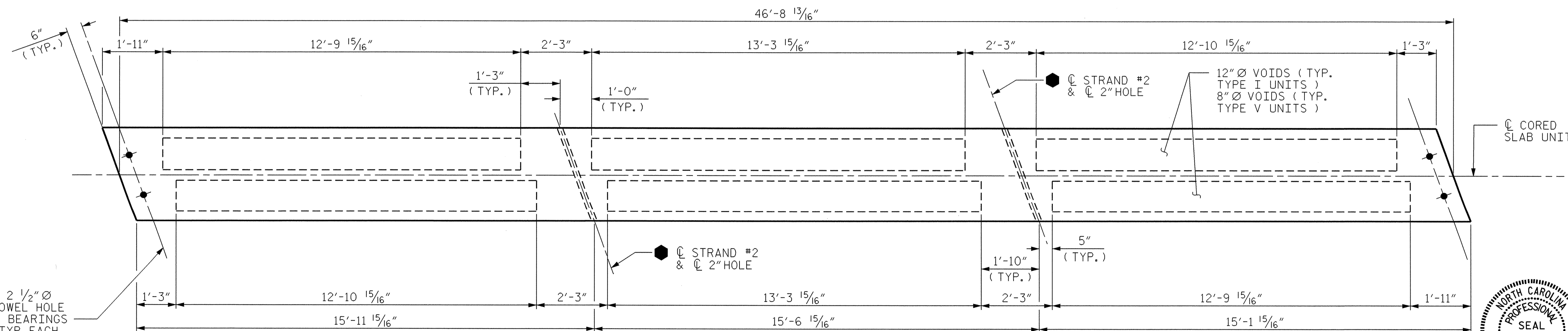
**SPAN A - STAGE 1**

TYPE I THRU IV UNITS TYPICAL EXCEPT AS NOTED.  
SEE NOTES FOR DIFFERENCES BETWEEN THE UNITS.



**SPAN A - STAGE 2**

TYPE VI UNIT SHOWN.  
★ SEE "END OF CORED SLAB UNIT" DETAIL ON SHEET 3 OF 3.  
FOR 2" HOLE LAYOUT, SEE BELOW.



**SPAN A - STAGE 2**

TYPES I & V UNITS TYPICAL EXCEPT AS NOTED.  
SEE NOTES FOR DIFFERENCES BETWEEN THE UNITS.

**NOTES**

**TYPES I THRU VI - STAGES 1 & 2**

FOR PLACEMENT OF #4S1, #4S3 THRU #4S5 BARS SEE "PART PLAN END OF CORED SLAB UNIT" DETAIL ON "TYPICAL SECTIONS" SHEETS.

FOR GROUTED RECESS SEE "GROUTED RECESS AT END OF POST-TENSION STRAND CORED SLABS" DETAIL ON "TYPICAL SECTIONS" SHEETS.

STRAND #1 GOES THRU CORED SLAB UNITS IN STAGE 1 CONSTRUCTION.

STRAND #2 GOES THRU CORED SLAB UNITS IN STAGES 1 & 2 CONSTRUCTION.

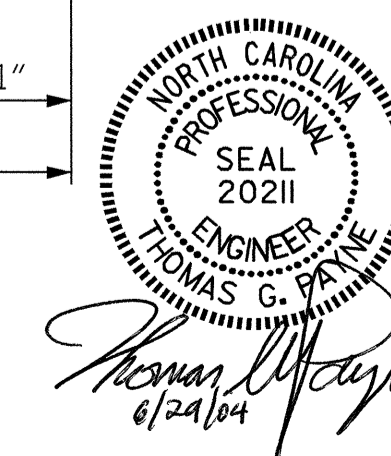
VOIDS Ø AND VERTICAL LOCATIONS VARIES, REFER TO "SUPERSTRUCTURE TYPICAL SECTIONS" SHEET 2 OF 3.

**TYPES I, V & VI - STAGE 2**

STRAND #2 GOES THRU CORED SLAB UNITS IN STAGE 2 CONSTRUCTION ONLY.

DRAWN BY: M. J. OSTRISHKO DATE: 12-12-01  
CHECKED BY: K. D. LAYNE DATE: 1-19-02

23-JUN-2004 16:37  
W:\squad1\b3445\finalplans\b344501cs.dgn  
klayne



PROJECT NO. B-3445  
CURRITUCK COUNTY  
STATION: 24+18.00 -L-

SHEET 1 OF 3

STATE OF NORTH CAROLINA  
DEPARTMENT OF TRANSPORTATION  
RALEIGH

SUPERSTRUCTURE  
PLAN OF  
3'-0" X 1'-9"  
CORED SLAB UNIT

REVISIONS						SHEET NO.
NO.	BY:	DATE:	NO.	BY:	DATE:	TOTAL SHEETS
1			3			S-16
2			4			43