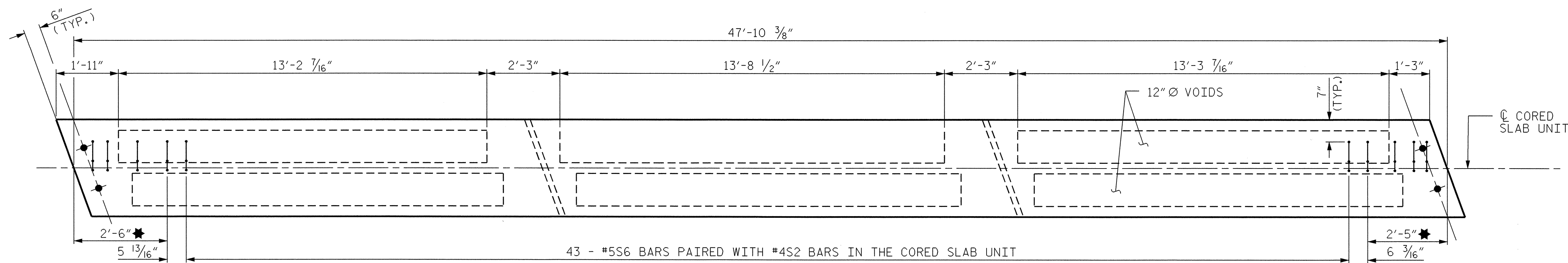


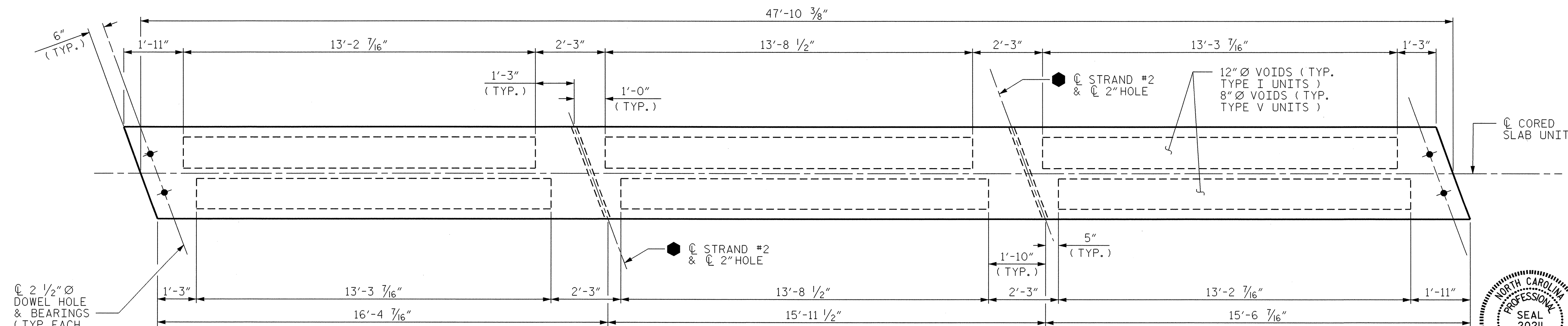
SPAN B & C - STAGE 1

TYPE I THRU IV UNITS TYPICAL EXCEPT AS NOTED.
SEE NOTES FOR DIFFERENCES BETWEEN THE UNITS.



SPAN B & C - STAGE 2

TYPE VI UNIT SHOWN.
★ SEE "END OF CORED SLAB UNIT" DETAIL ON SHEET 3 OF 3.
FOR 2" HOLE LAYOUT, SEE BELOW.



SPANS B & C - STAGE 2

TYPES I & V UNITS TYPICAL EXCEPT AS NOTED.
SEE NOTES FOR DIFFERENCES BETWEEN THE UNITS.

NOTES

TYPES I THRU VI - STAGES 1 & 2

FOR PLACEMENT OF #4S1, #4S3 THRU #4S5 BARS, SEE "PART PLAN END OF CORED SLAB UNIT" DETAIL ON "TYPICAL SECTIONS" SHEETS.

FOR GROUTED RECESS SEE "GROUTED RECESS AT END OF POST-TENSION STRAND CORED SLAB" DETAIL ON "TYPICAL SECTIONS" SHEETS.

◆ STRAND #1 GOES THRU CORED SLAB UNITS IN STAGE 1 CONSTRUCTION.

● STRAND #2 GOES THRU CORED SLAB UNITS IN STAGES 1 & 2 CONSTRUCTION.

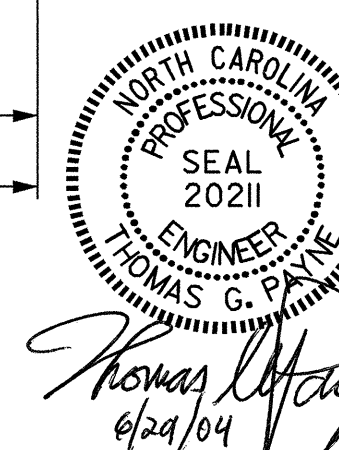
VOIDS Ø AND VERTICAL LOCATIONS VARIES, REFER TO "SUPERSTRUCTURE TYPICAL SECTIONS" SHEET 2 OF 3.

TYPES I, V & VI - STAGE 2

● STRAND #2 GOES THRU CORED SLAB UNITS IN STAGE 2 CONSTRUCTION ONLY.

DRAWN BY : M. J. OSTRISHKO DATE : 12-12-01
CHECKED BY : K. D. LAYNE DATE : 1-19-02

23-JUN-2004 16:37
W:\squad\fb3445\finalplans\fb344501cs.dgn
klayne



PROJECT NO. B-3445
CURRITUCK COUNTY
STATION: 24+18.00 -L-

SHEET 2 OF 3

STATE OF NORTH CAROLINA
DEPARTMENT OF TRANSPORTATION
RALEIGH

SUPERSTRUCTURE
PLAN OF
3'-0" X 1'-9"
CORED SLAB UNIT

REVISIONS						SHEET NO.
NO.	BY:	DATE:	NO.	BY:	DATE:	S-17
1			3			TOTAL SHEETS
2			4			43