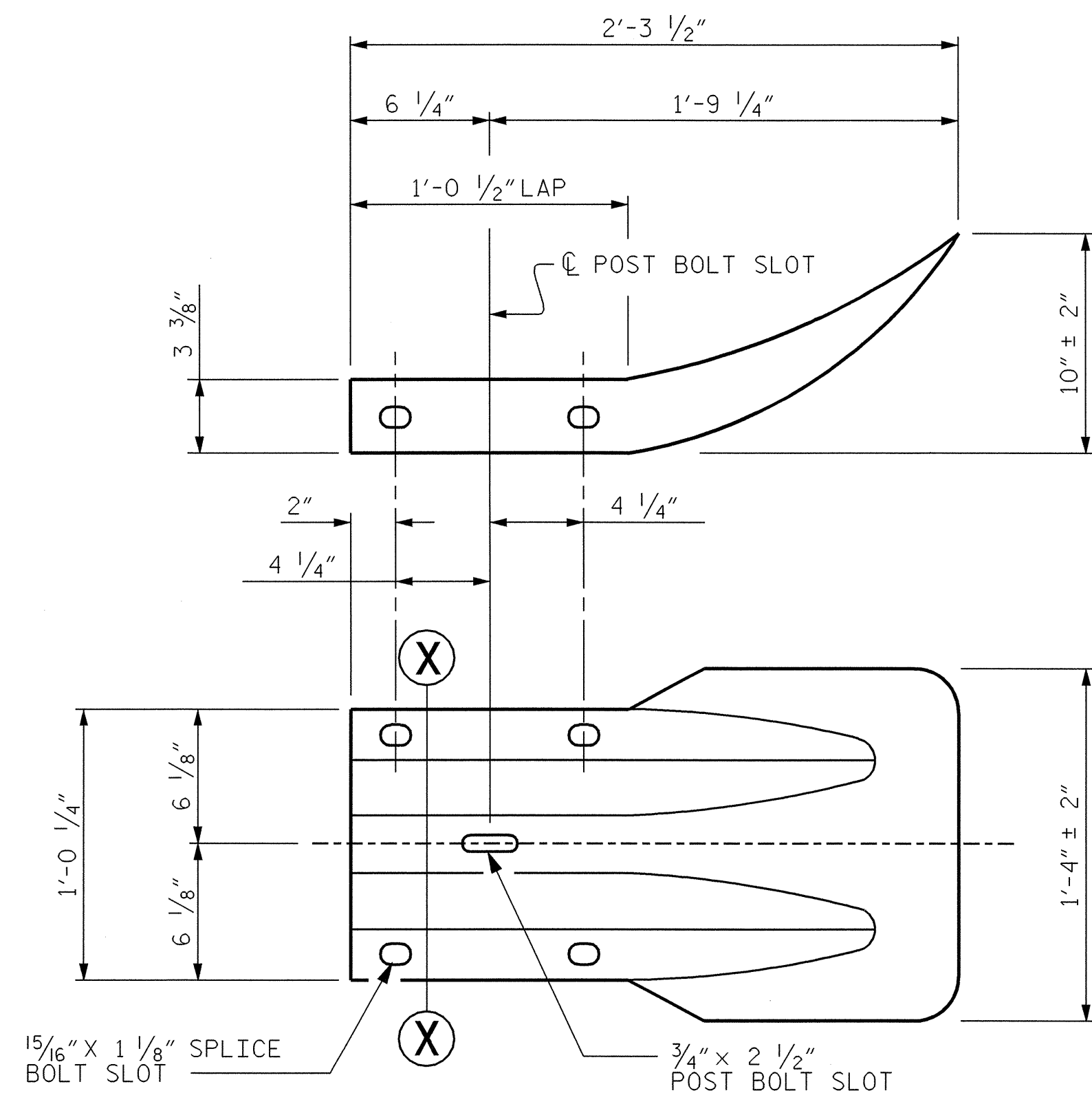
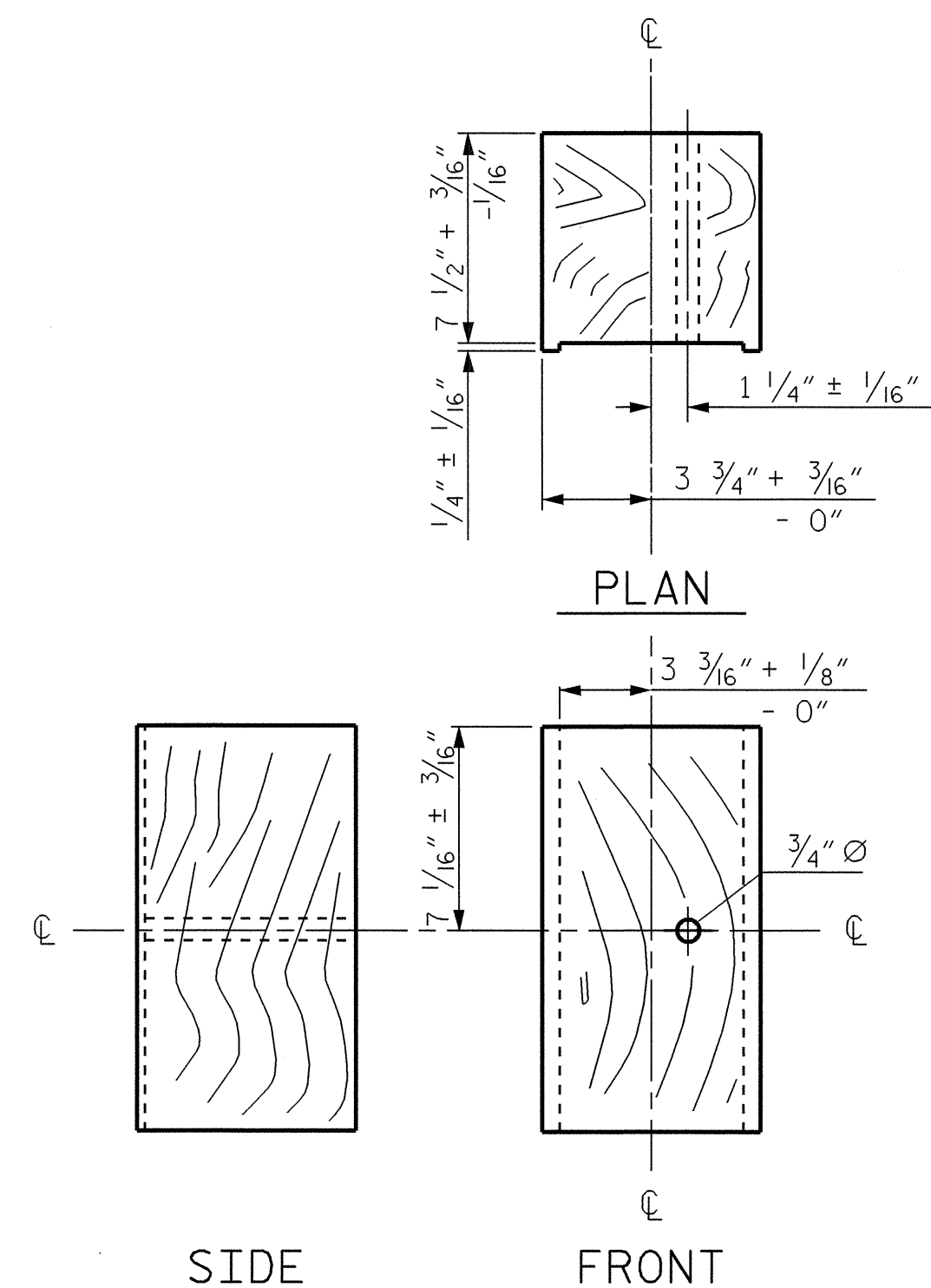


SECTION X-X



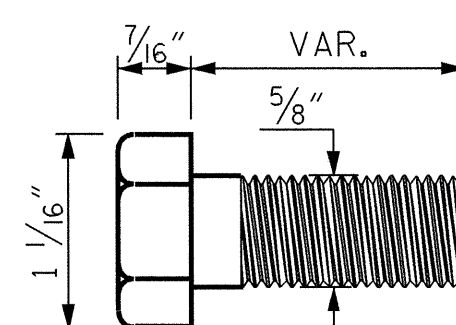
TERMINAL END SECTION

(TOTAL 6 REQUIRED)
 (LOCATED ONLY ON TOP GUARDRAIL BEAM OF
 TEMPORARY GUARDRAIL AT LEADING AND TRAILING ENDS.)

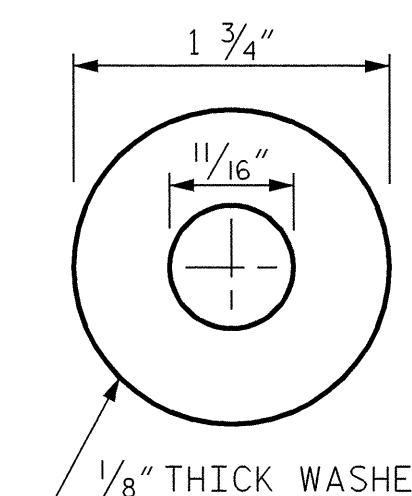


ROUTED WOOD OFFSET BLOCK

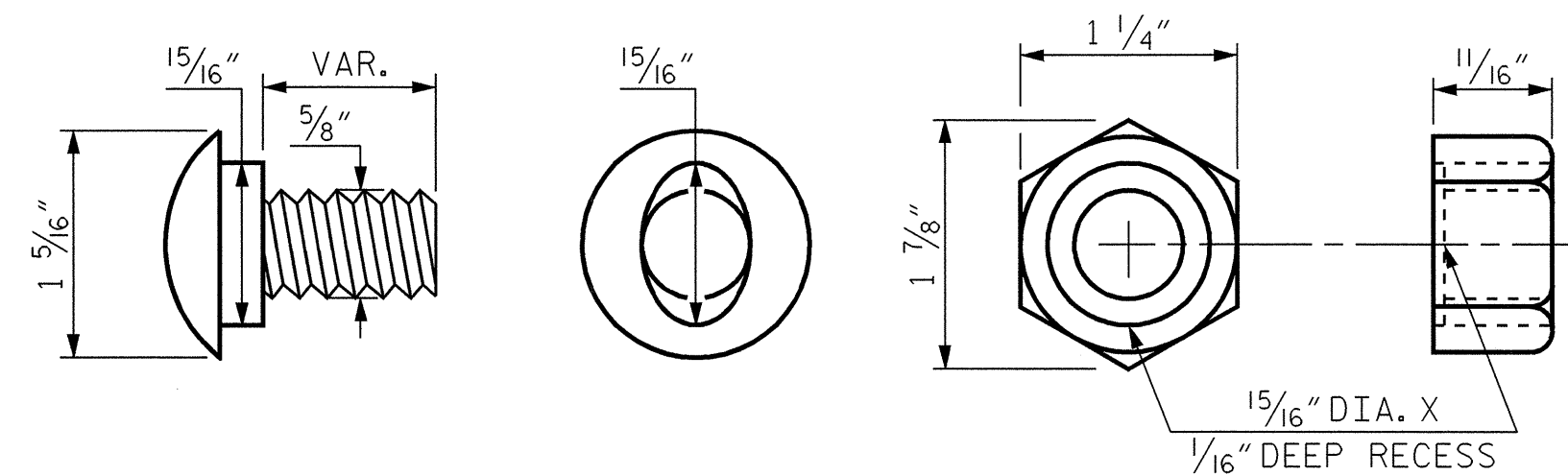
8" X 8" NOMINAL



DETAIL OF STANDARD HEX BOLT AND NUT



DETAIL OF STANDARD WASHER



DETAIL OF BUTTON HEAD BOLT AND NUT

PROJECT NO. B-3445
 CURRITUCK COUNTY
 STATION: 24+18.00 -L-

SHEET 2 OF 2

STATE OF NORTH CAROLINA
 DEPARTMENT OF TRANSPORTATION
 RALEIGH

TEMPORARY
 GUARDRAIL
 DETAILS

NORTH CAROLINA
 PROFESSIONAL
 SEAL
 2021
 ENGINEER
 THOMAS G. PAYNE
 6/24/04

REVISIONS						SHEET NO.	
NO.	BY:	DATE:	NO.	BY:	DATE:	S-26	
1			3			TOTAL	43
2			4			SHEETS	

DRAWN BY : M. J. OSTRISHKO DATE : 4-23-02
 CHECKED BY : T. G. PAYNE DATE : 5-8-02