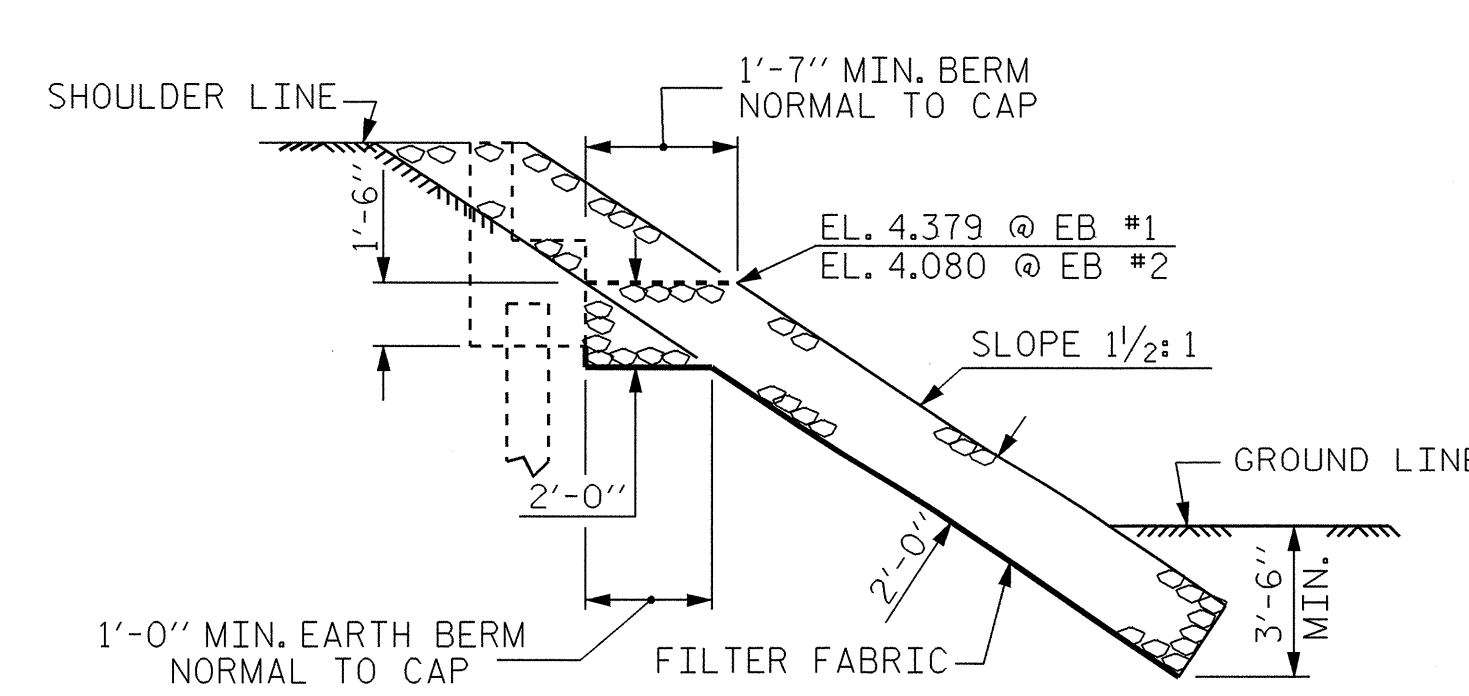
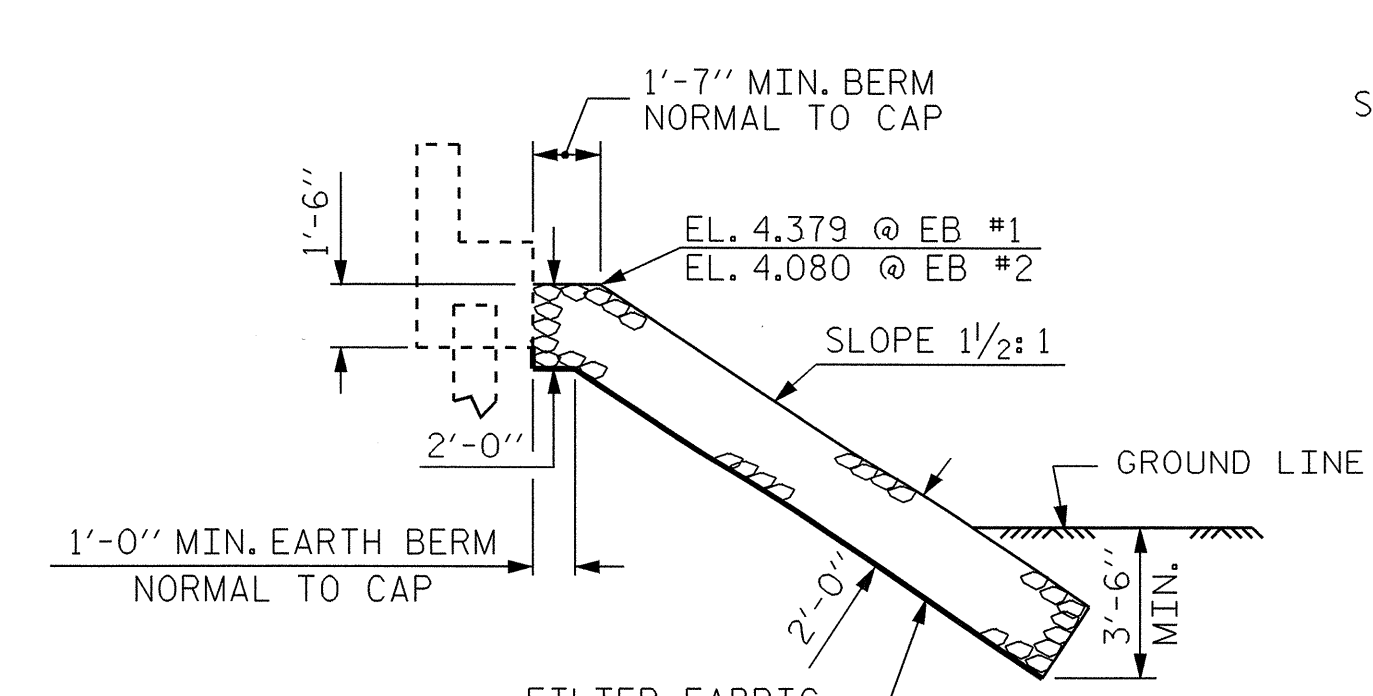


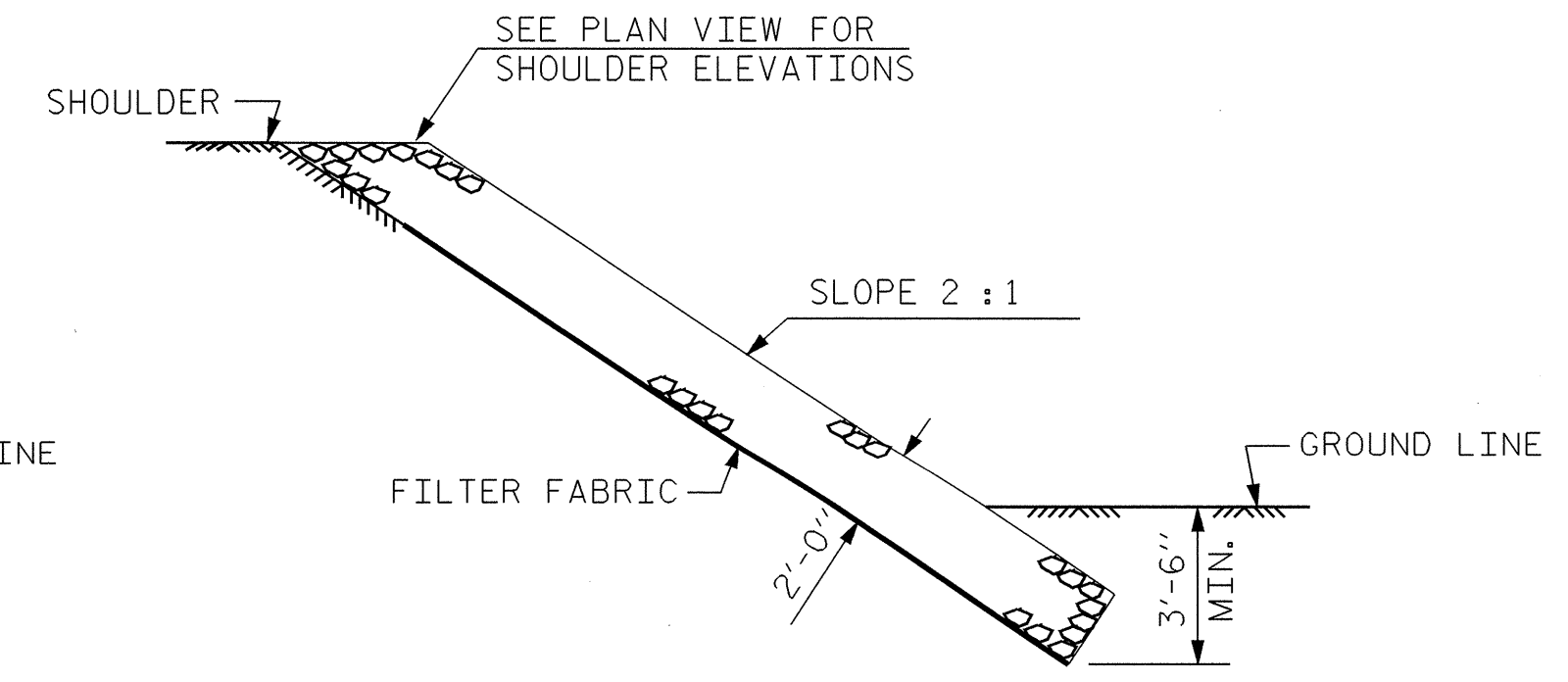
PLAN



SECTION H-H



SECTION C-C



SECTION C-C

| ESTIMATED QUANTITIES | | |
|--------------------------------|------------------------|----------------------------|
| BRIDGE @ STATION 24+18.000 -L- | PLAIN RIP RAP CLASS II | FILTER FABRIC FOR DRAINAGE |
| | TONS | SQUARE YARDS |
| END BENT 1 | 95 | 105 |
| END BENT 2 | 90 | 100 |

PROJECT NO. B-3445
CURRITUCK COUNTY
 STATION 24+18.00 -L-

STATE OF NORTH CAROLINA
 DEPARTMENT OF TRANSPORTATION
 RALEIGH

RIP RAP DETAILS

| REVISIONS | | | | | | SHEET NO. |
|-----------|-----|-------|-----|-----|-------|--------------|
| NO. | BY: | DATE: | NO. | BY: | DATE: | S-41 |
| 1 | | | 3 | | | TOTAL SHEETS |
| 2 | | | 4 | | | 43 |



ASSEMBLED BY : KEITH D. LAYNE DATE : 3-18-02
 CHECKED BY : D. B. MOORE DATE : 3-26-02