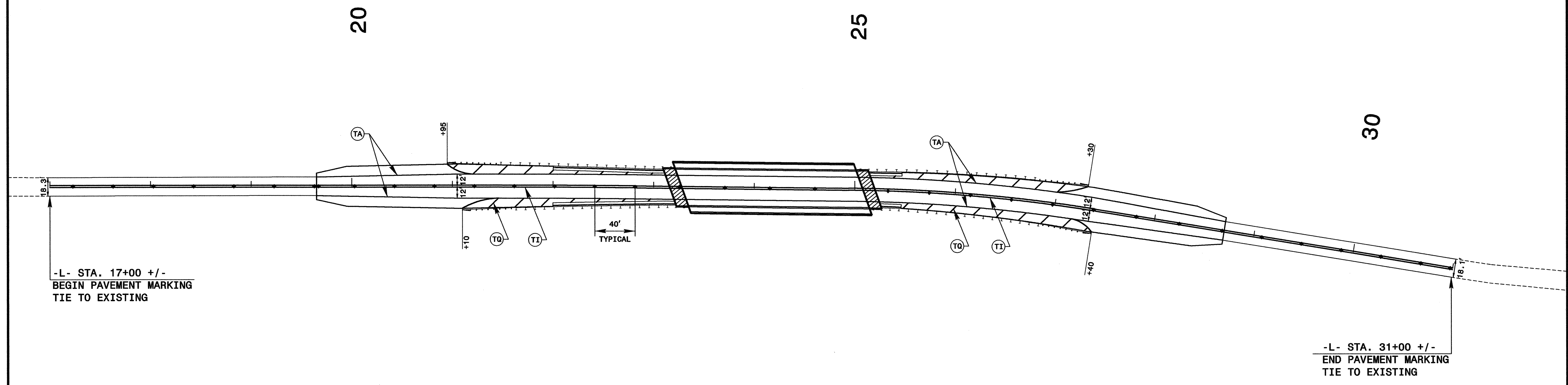
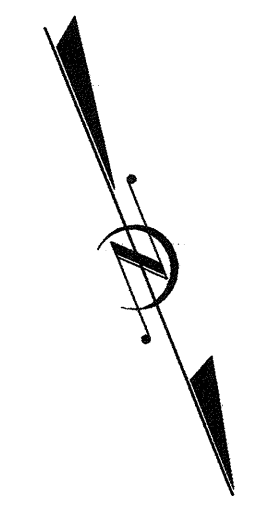


FINAL PAVEMENT MARKING SCHEDULE			
SYMBOL	DESCRIPTION	PAY ITEM/ QUANTITY BREAKDOWN	TOTAL QUANTITY
PAVEMENT MARKING LINES THERMOPLASTIC			
TA	4" WHITE EDGE LINE (90 mils)	2896'	TOTAL 2896'
TI	4" YELLOW DBL CTR LINE (120 mils)	2896'	TOTAL 2896'
TQ	8" WHITE DIAGONAL LINE (90 mils)	282'	TOTAL 282'
PAVEMENT MARKERS			
MA	YELLOW & YELLOW	34	TOTAL 34



11/03/2004
 P:\4481\13445cm1.psh
 P:\4481\13445cm1.psh

APPROVED: SHANE D. YORK DATE: 11/03/04	PAVEMENT MARKING PLAN							
	SCALE: N.A.							
	DATE: 11/03/04							
	DWG. BY: S. YORK							
	DESIGN BY: S. YORK							
REVIEWED BY: C. HYATT	REVISIONS	<table border="1"> <tr><td> </td><td> </td></tr> <tr><td> </td><td> </td></tr> <tr><td> </td><td> </td></tr> </table>						
<table border="1"> <tr> <td>CAUTION</td> <td>FILE</td> </tr> </table>		CAUTION	FILE					
CAUTION	FILE							