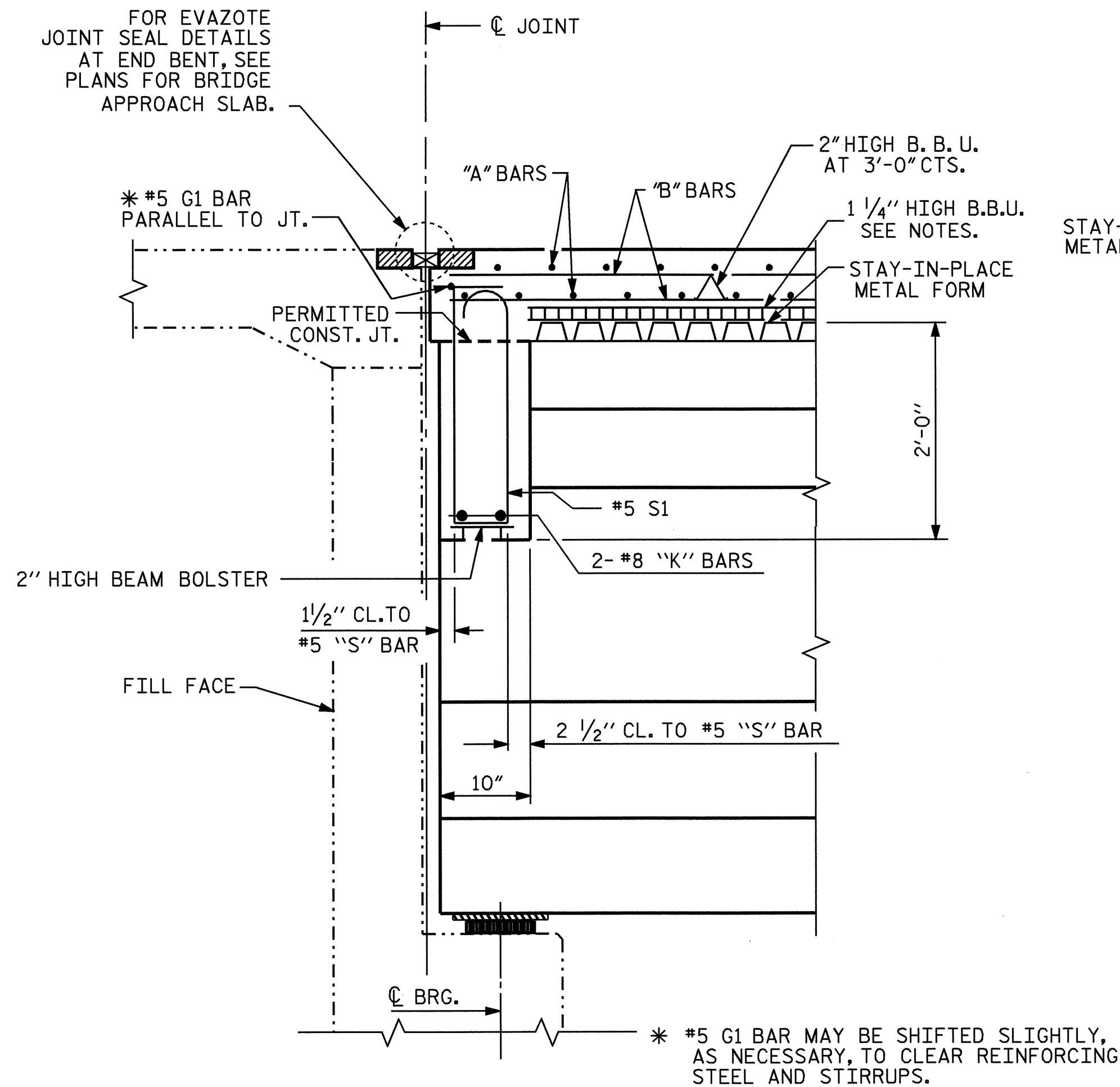
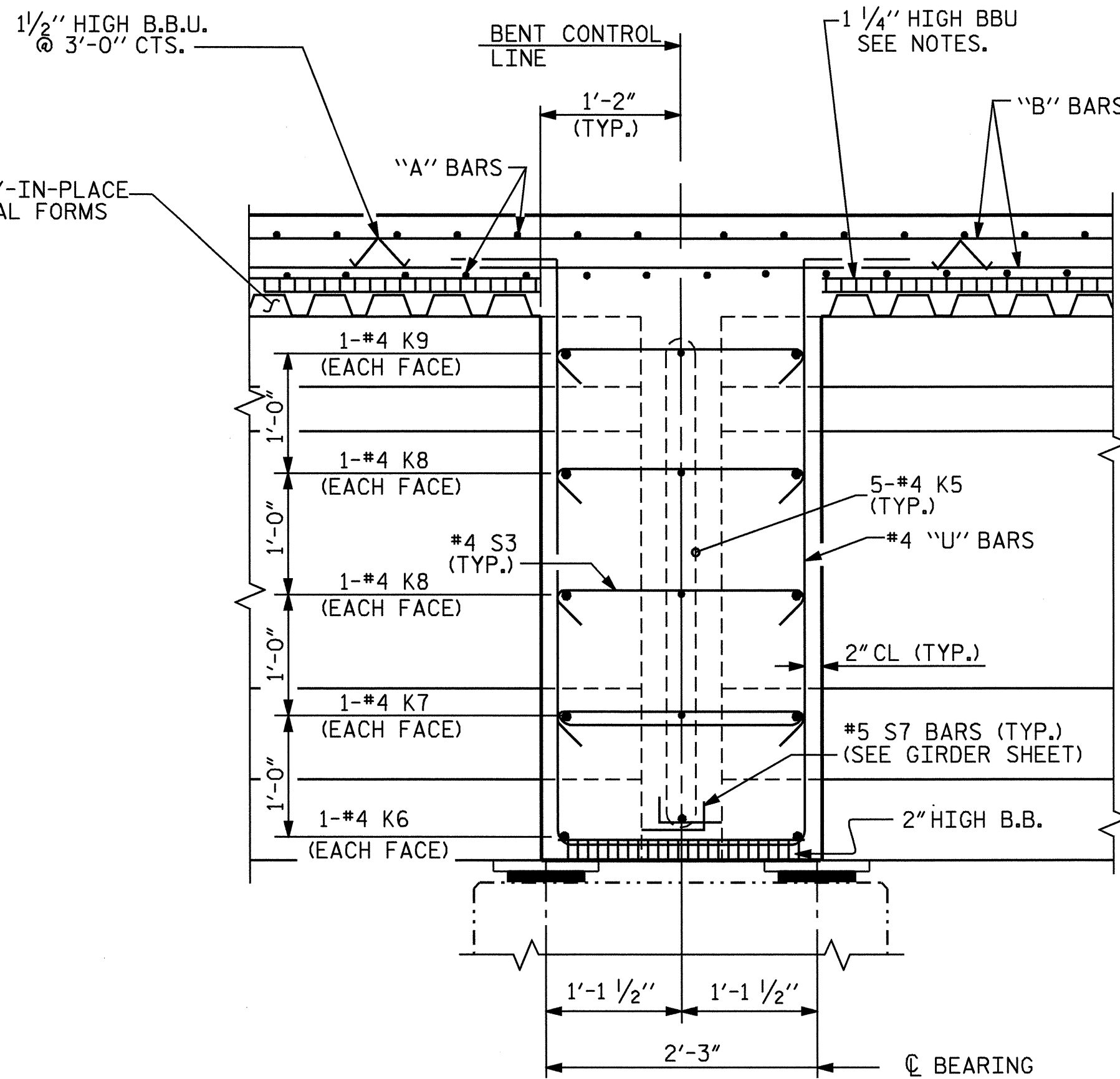


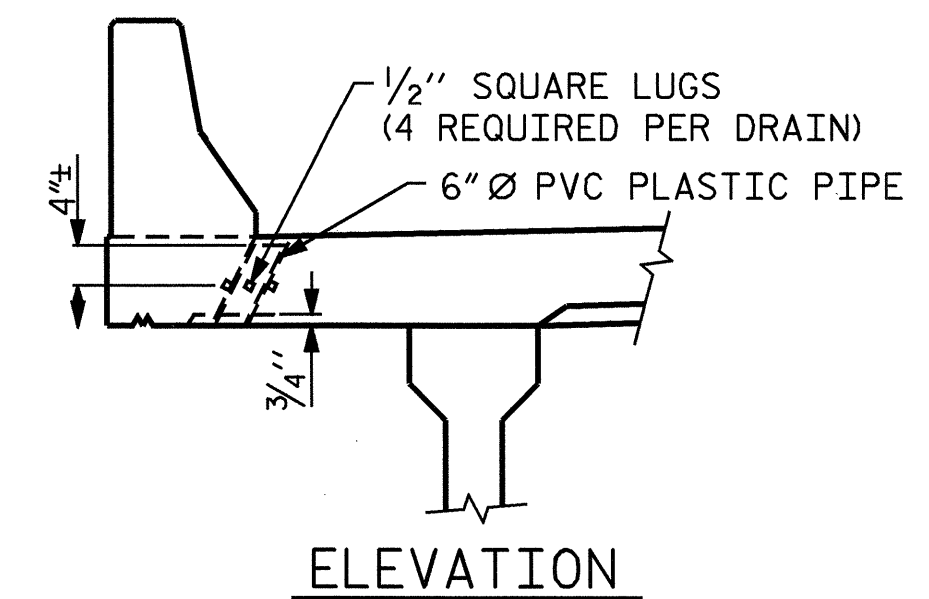
FOR EVAZOTE JOINT SEAL DETAILS AT END BENT, SEE PLANS FOR BRIDGE APPROACH SLAB.



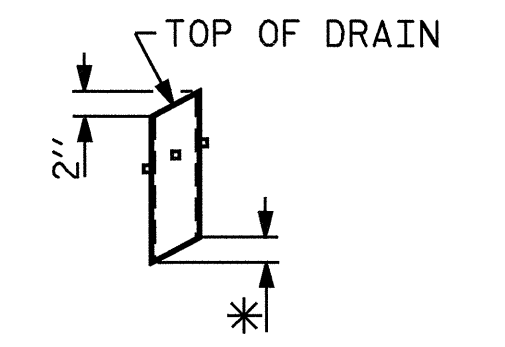
SECTION A-A



SECTION B-B

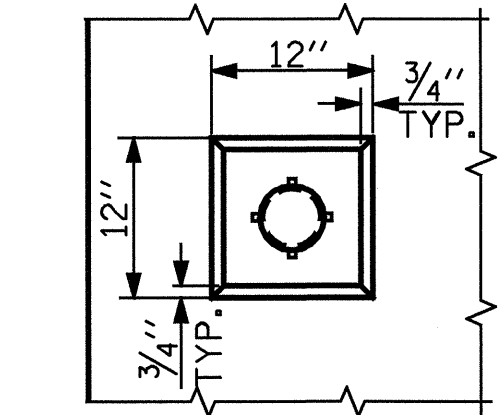


ELEVATION



* TO BE SET TO MATCH SLOPE OF BOTTOM OF OVERHANG (8 DRAINS REQUIRED)

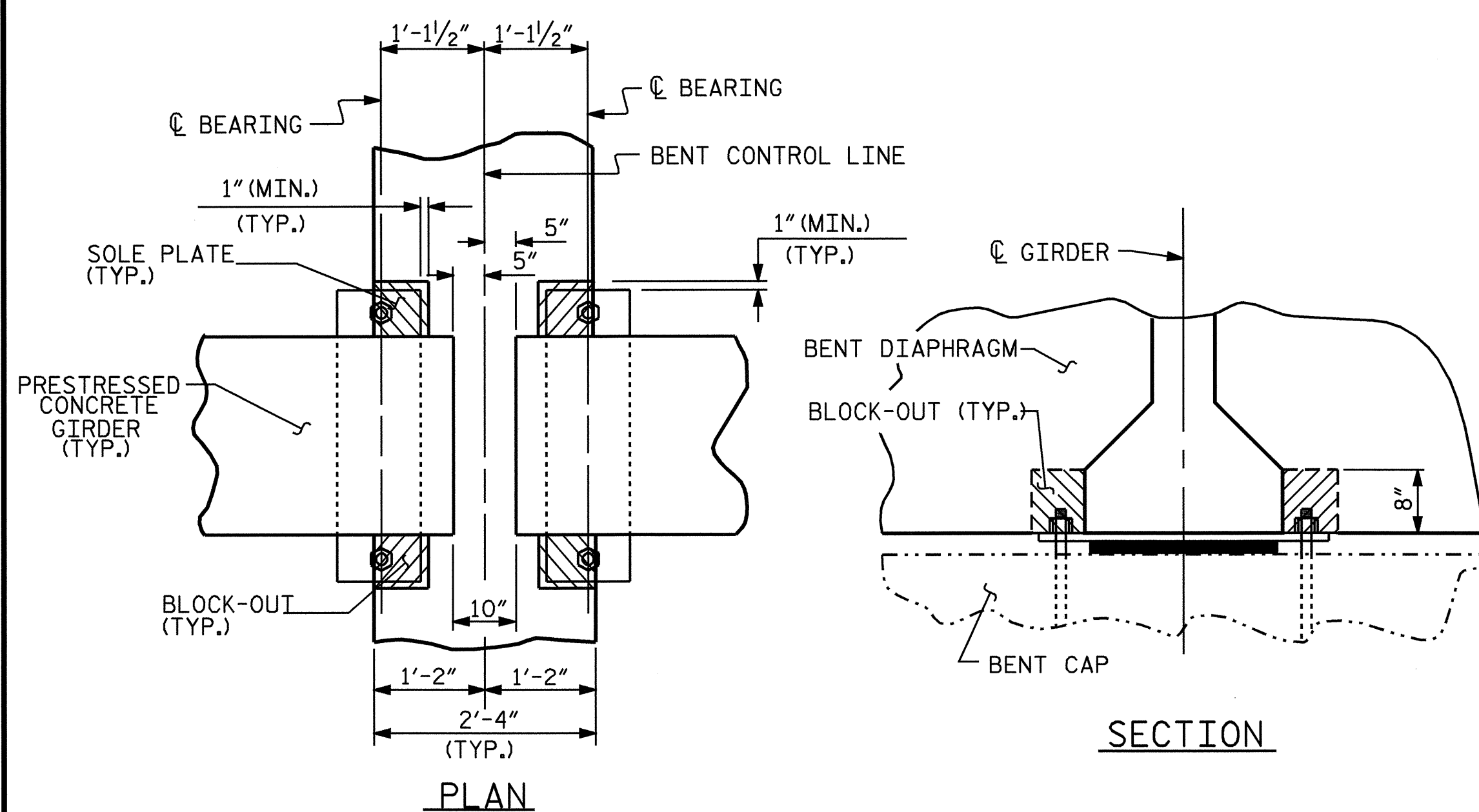
PIPE DETAIL



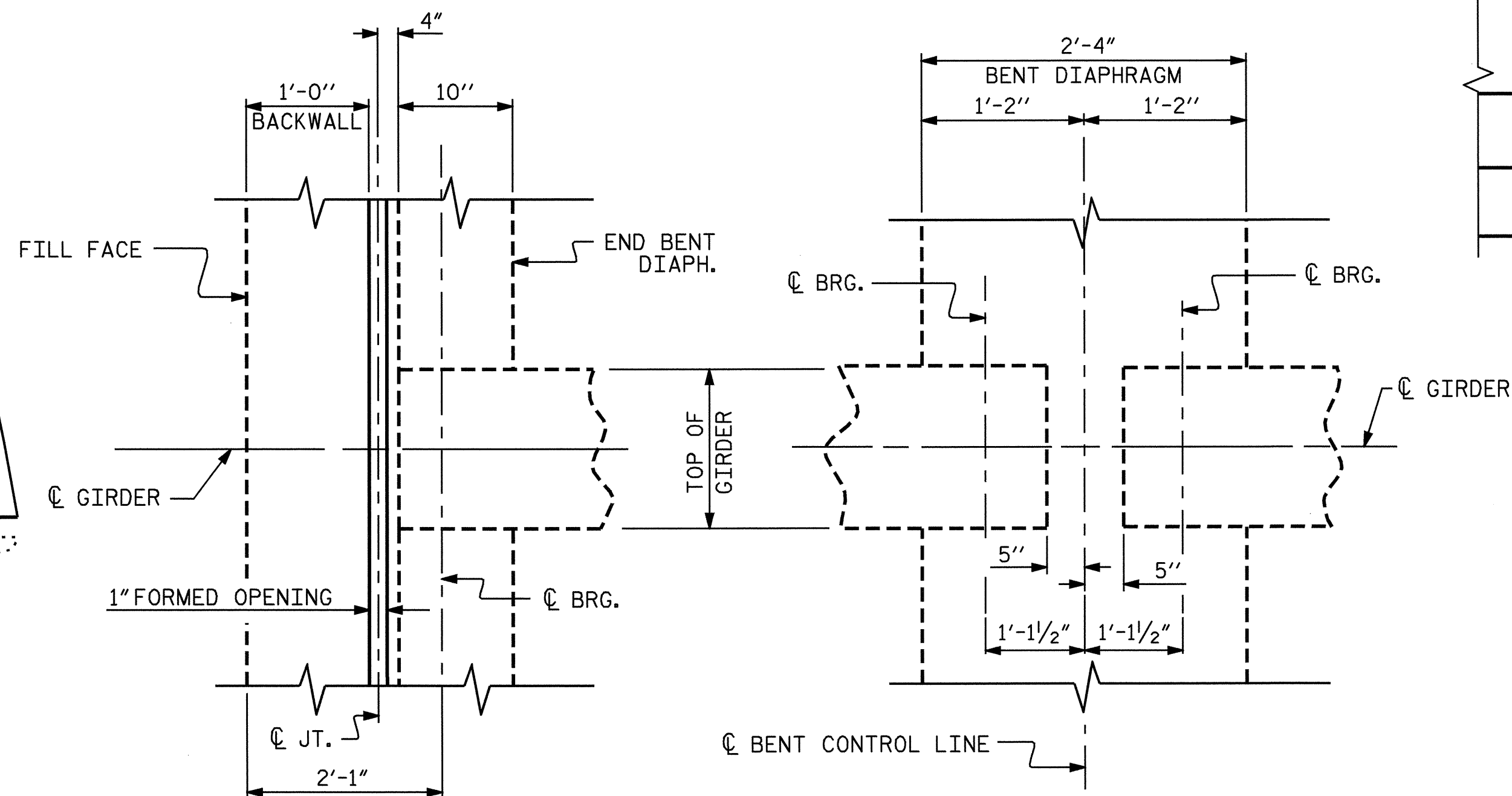
PLAN OF RECESS

TOP OF FLOOR DRAINS TO BE SET 3/8\"/>

DRAIN DETAILS



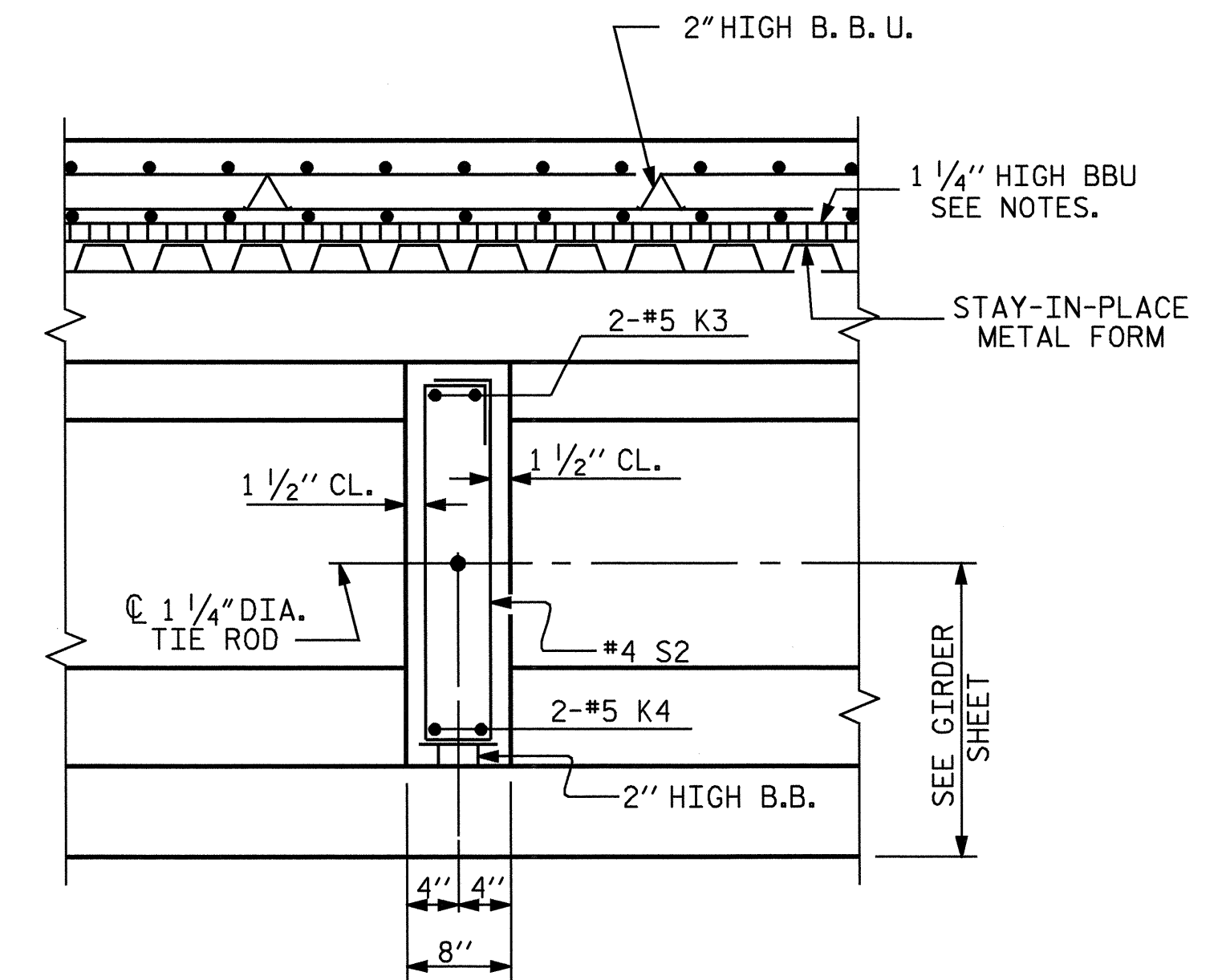
BENT DIAPHRAGM BLOCKOUT DETAIL



END BENT DIAPHRAGM

BENT DIAPHRAGM

PLAN

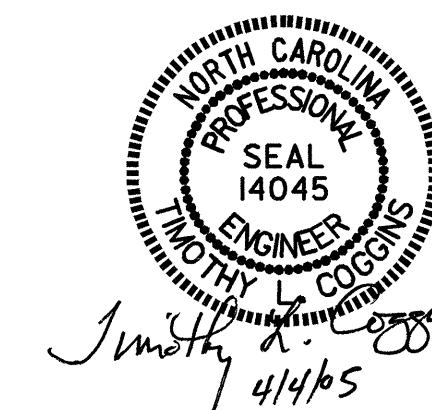


SECTION C-C

PROJECT NO. B-3828
CLEVELAND COUNTY
 STATION: 14+65.00 -L-

SHEET 2 OF 2

STATE OF NORTH CAROLINA
 DEPARTMENT OF TRANSPORTATION
 RALEIGH
 SUPERSTRUCTURE
 TYPICAL SECTION
 DETAILS



DRAWN BY: PEGGY ADKINS DATE: 2-03
 CHECKED BY: T. AVERETTE DATE: 4-03

REVISIONS						SHEET NO. S-5
NO.	BY:	DATE:	NO.	BY:	DATE:	
1			3			TOTAL SHEETS 30
2			4			