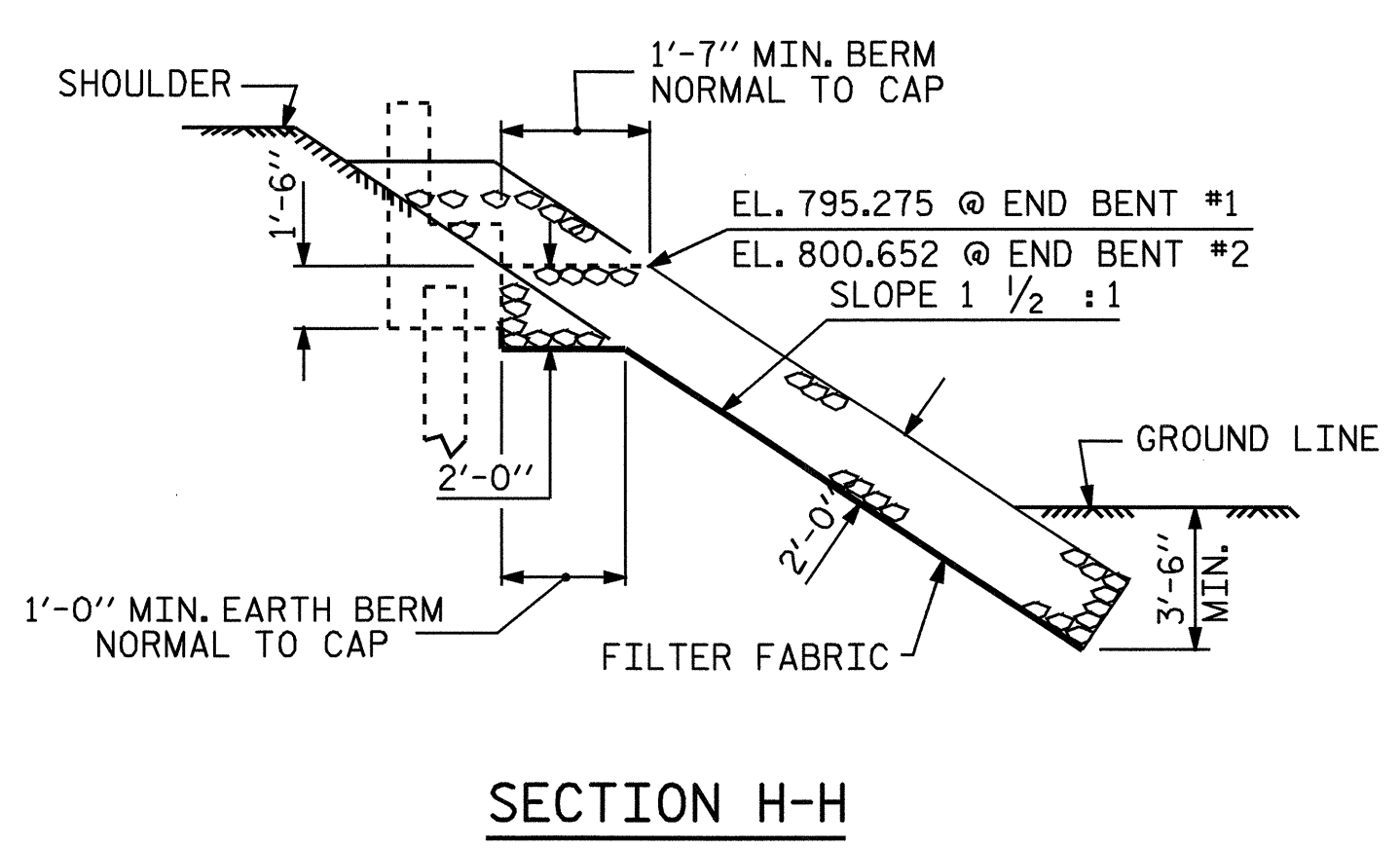
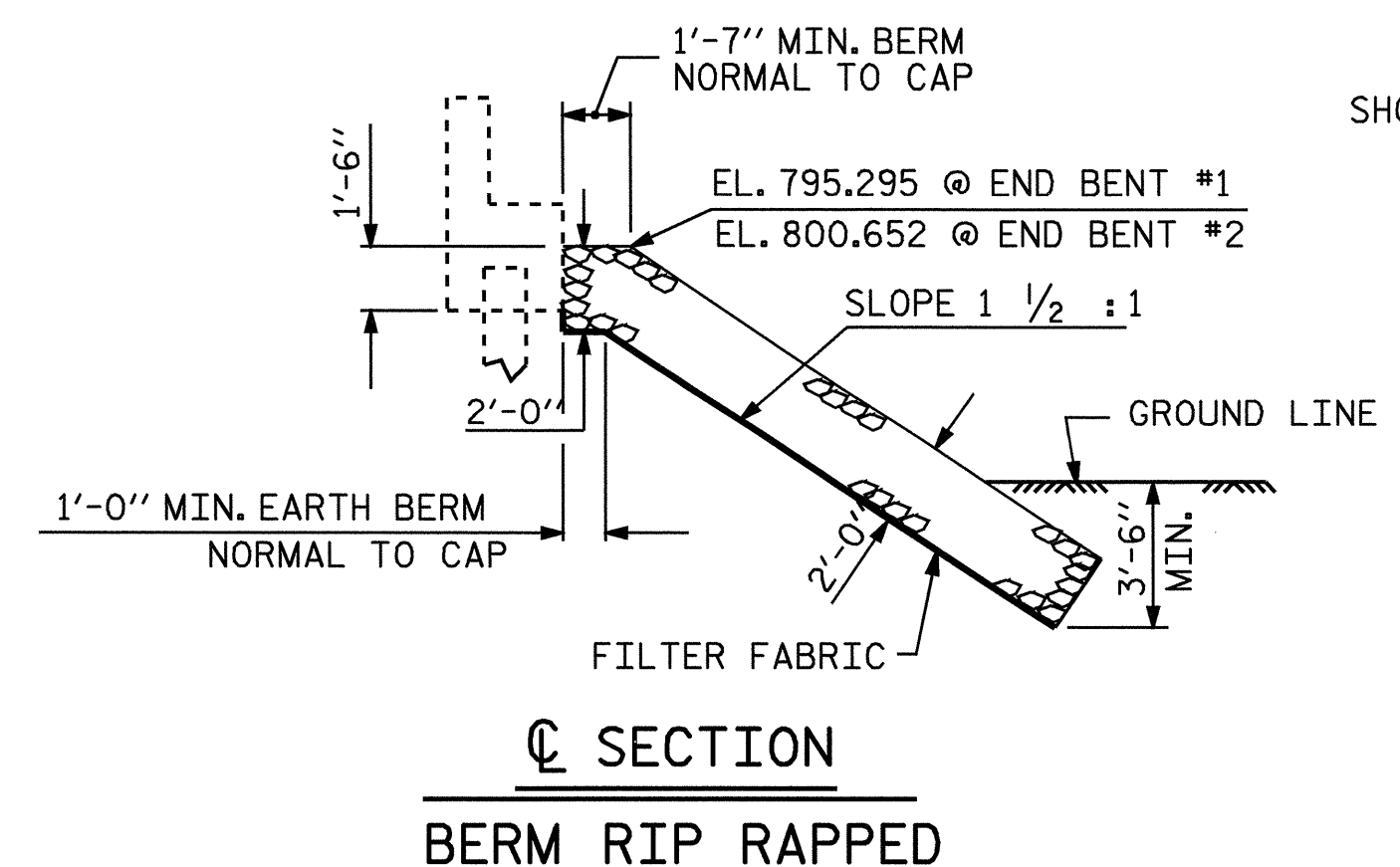


PLAN

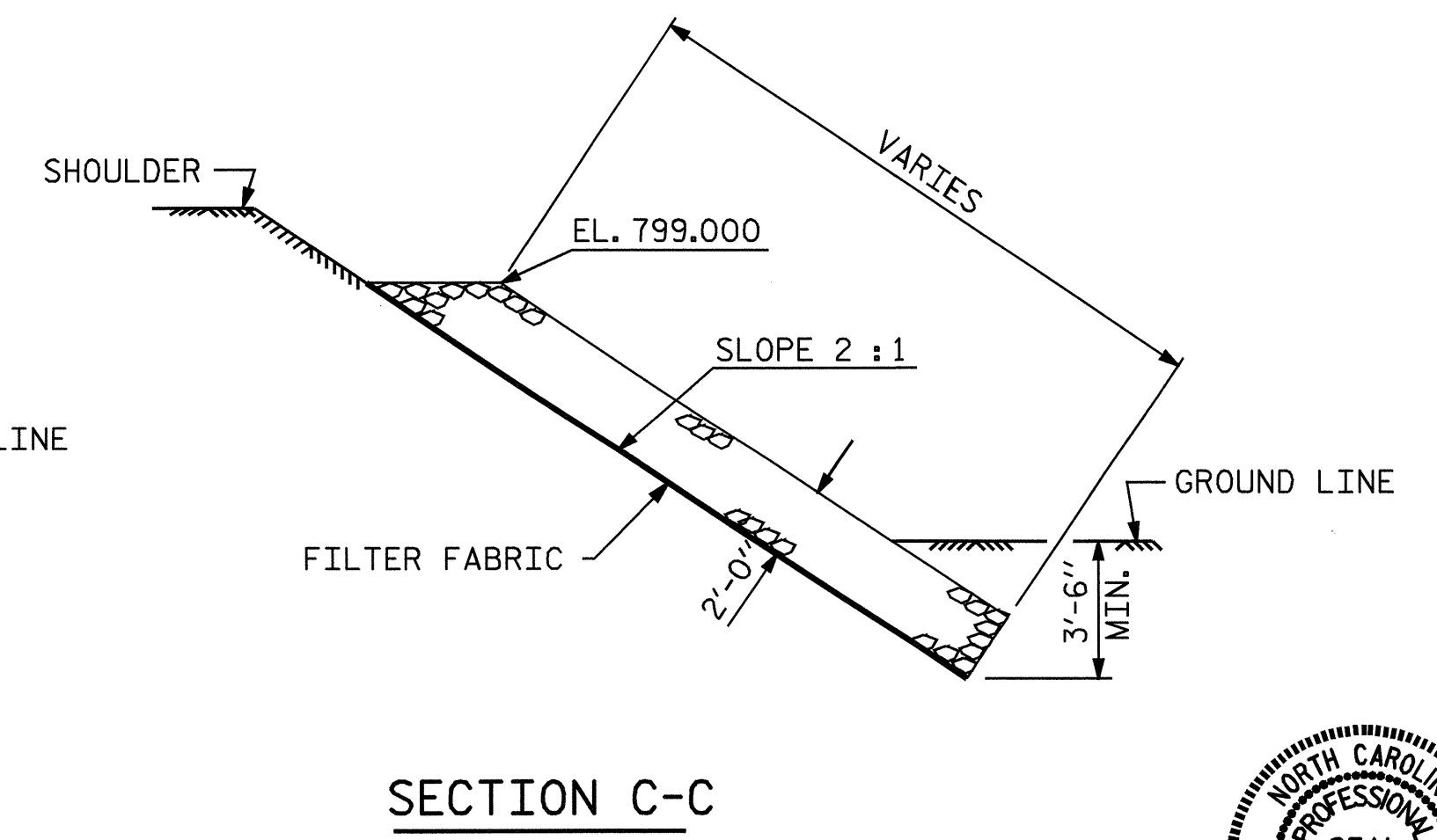
ESTIMATED QUANTITIES		
BRIDGE @ STA. 14+65.00 -L-	PLAIN RIP RAP CLASS II (2'-0" THICK)	FILTER FABRIC FOR DRAINAGE
	TONS	SQUARE YARDS
END BENT 1	146	162
END BENT 2	161	179



SECTION H-H



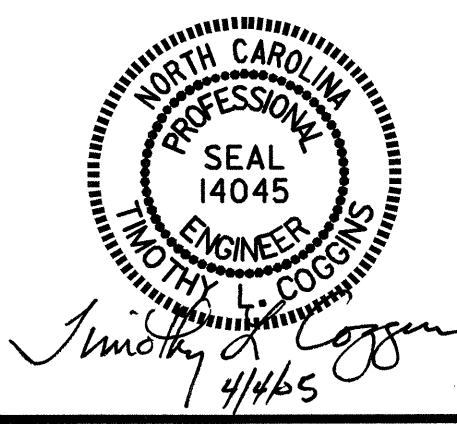
SECTION C-C  
BERM RIP RAPPED



SECTION C-C

PROJECT NO. B-3828  
CLEVELAND COUNTY  
STATION: 14+65.00 -L-

STATE OF NORTH CAROLINA  
DEPARTMENT OF TRANSPORTATION  
RALEIGH  
STANDARD  
RIP RAP DETAILS



ASSEMBLED BY : PEGGY ADKINS DATE : 2-03  
CHECKED BY : T. AVERETTE DATE : 3-03  
DRAWN BY : FCJ 2/88 REV. 7/17/98 REK/RWW  
CHECKED BY : ARB 8/88 REV. 8/16/99 RWW/LES  
REV. 10/17/00 RWW/LES

REVISIONS						SHEET NO. S-23
NO.	BY:	DATE:	NO.	BY:	DATE:	
1			3			TOTAL SHEETS 30
2			4			