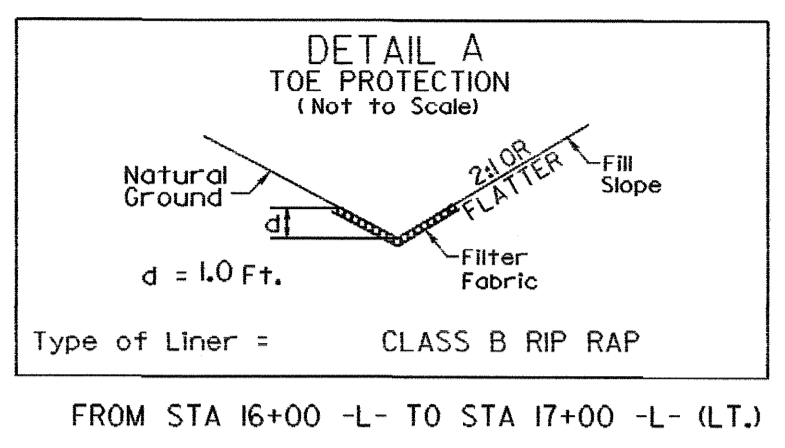
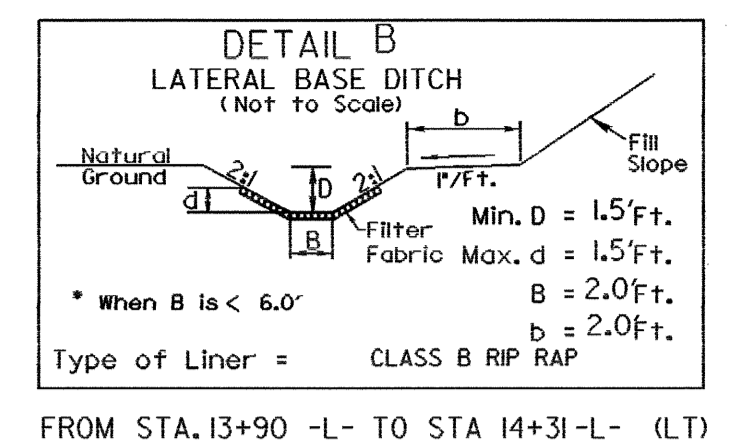
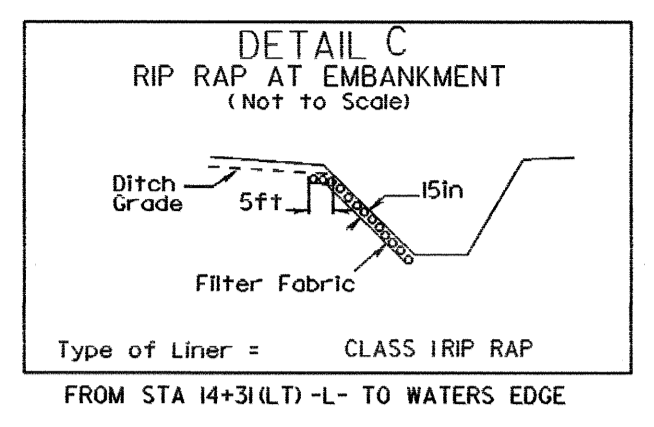
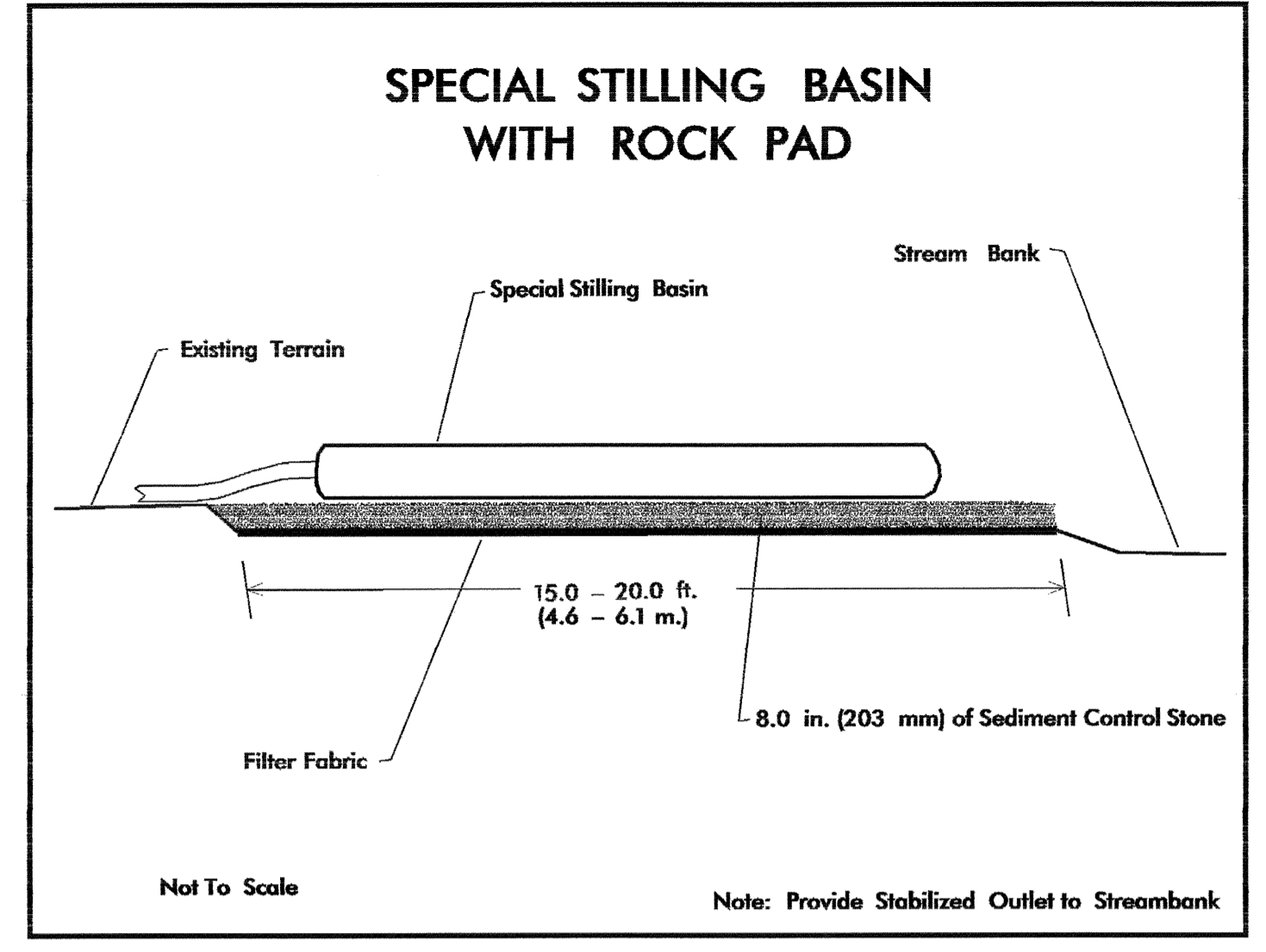


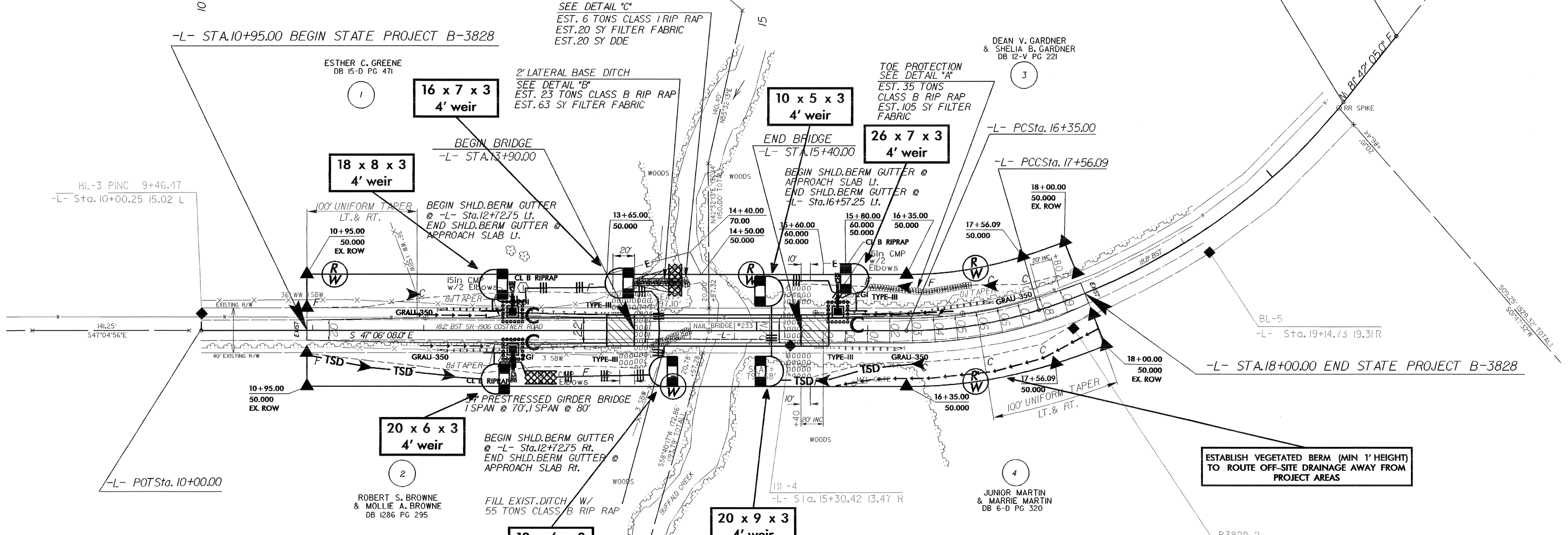
8/17/99

NOTE: UTILIZE SPECIAL STILLING BASIN OR TEMPORARY ROCK SEDIMENT DAM TYPE - B AS STILLING BASIN WHERE APPLICABLE.

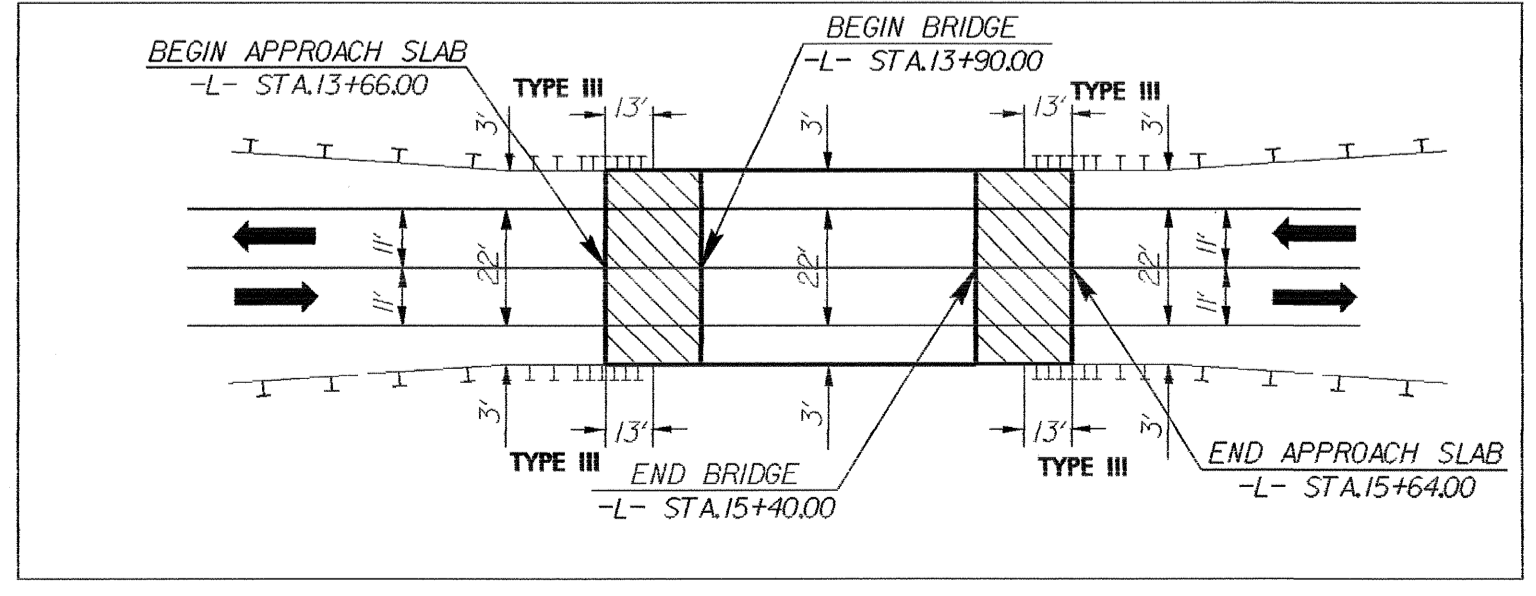
PROJECT REFERENCE NO. B-3828	SHEET NO. EC- 5/CONST. 4
RW SHEET NO.	
ROADWAY DESIGN ENGINEER	HYDRAULICS ENGINEER



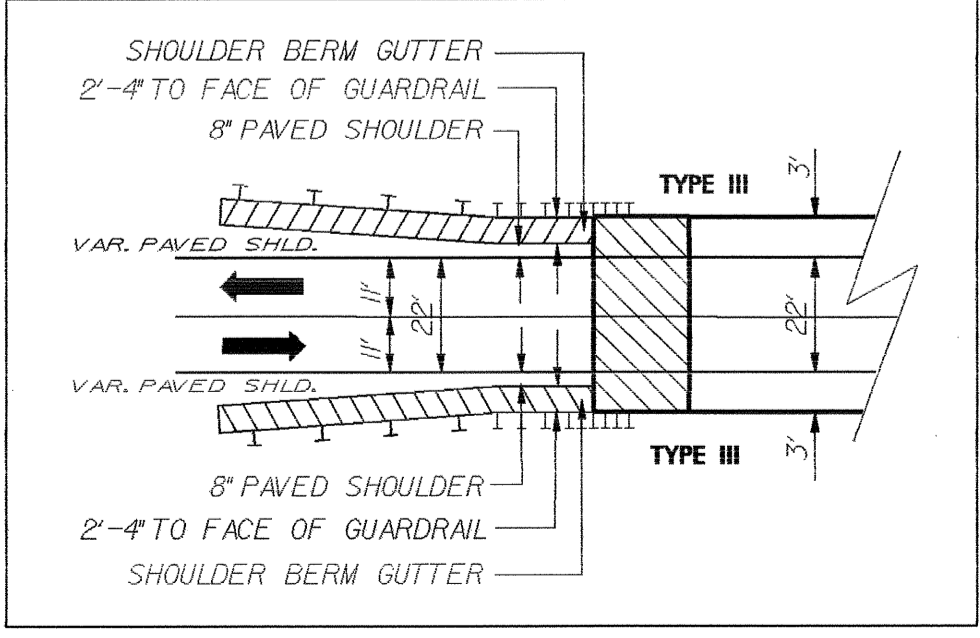
<p>-L-</p> <p>PI Sta 16+96.01 Δ = 17' 20" 39.8" (LT) D = 14' 19" 26.2" L = 121.09' T = 61.01' R = 400.00' SE = 06 RO = 120' (SEE PLANS)</p>	<p>PI Sta 19+29.55 Δ = 33' 51" 07.2" (LT) D = 10' 03" 06.8" L = 336.77' T = 173.46' R = 570.00'</p>
---	---



ESTABLISH VEGETATED BERM (MIN 1' HEIGHT) TO ROUTE OFF-SITE DRAINAGE AWAY FROM PROJECT AREAS



SKETCH SHOWING RELATIONSHIP OF BRIDGE TO PAVEMENT AND SHOULDERS



DETAIL OF PAVED SHOULDER AND SHOULDER BERM GUTTER

- NOTES:
- FOR PROFILE SEE SHEET 5
 - FOR STRUCTURE PLANS, SEE SHEET S-1 THRU S-4

I:\FEB-2005 16:09 113628\113628.dwg
 I:\FEB-2005 16:09 113628\113628.dwg
 I:\FEB-2005 16:09 113628\113628.dwg