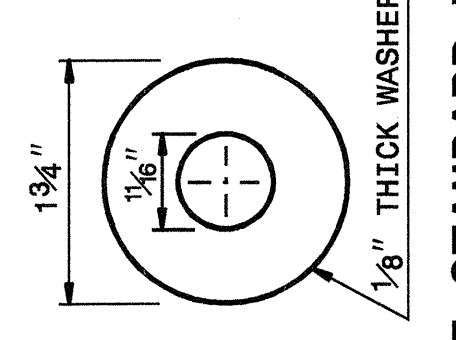
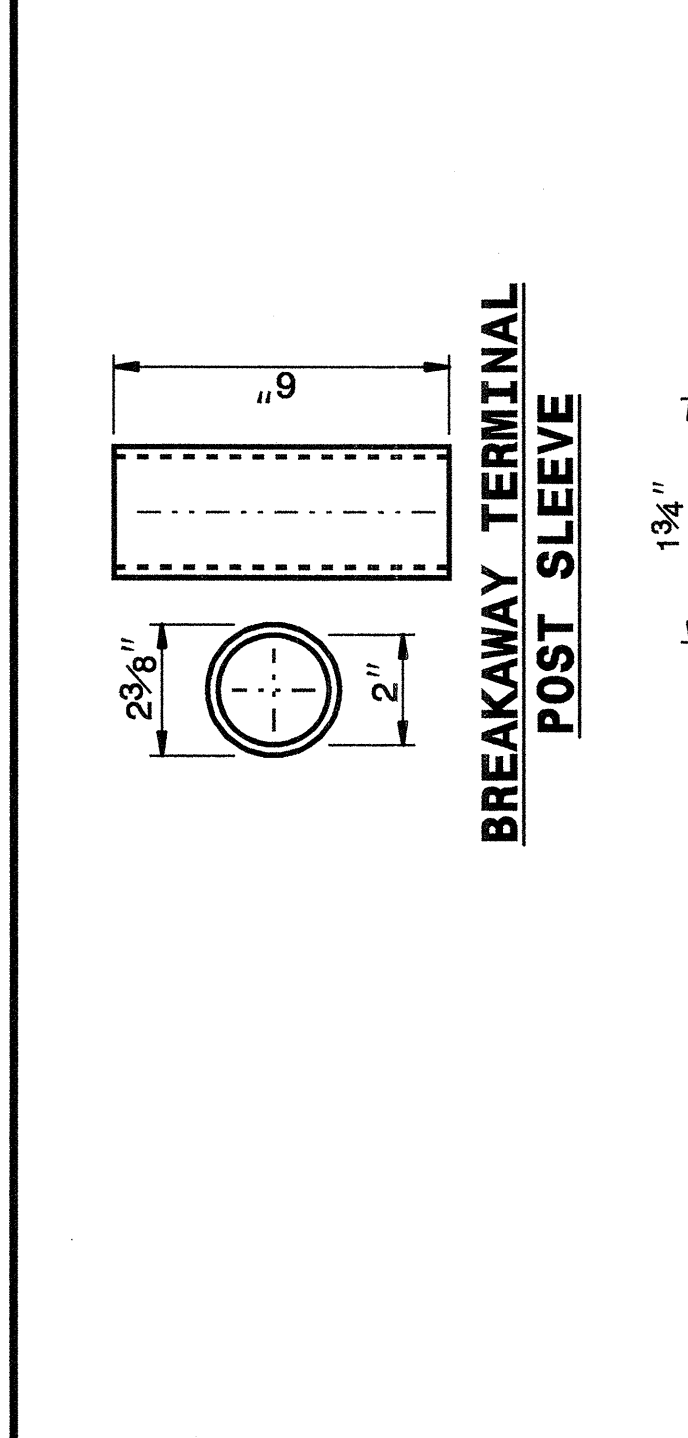


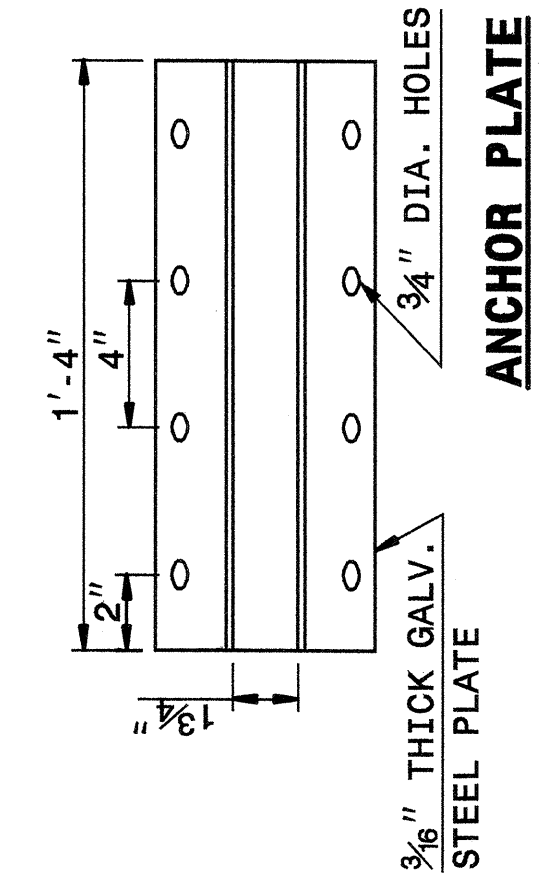
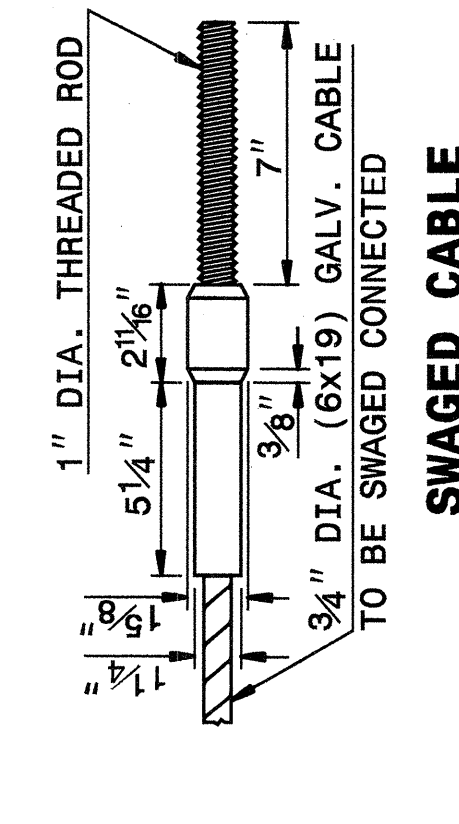
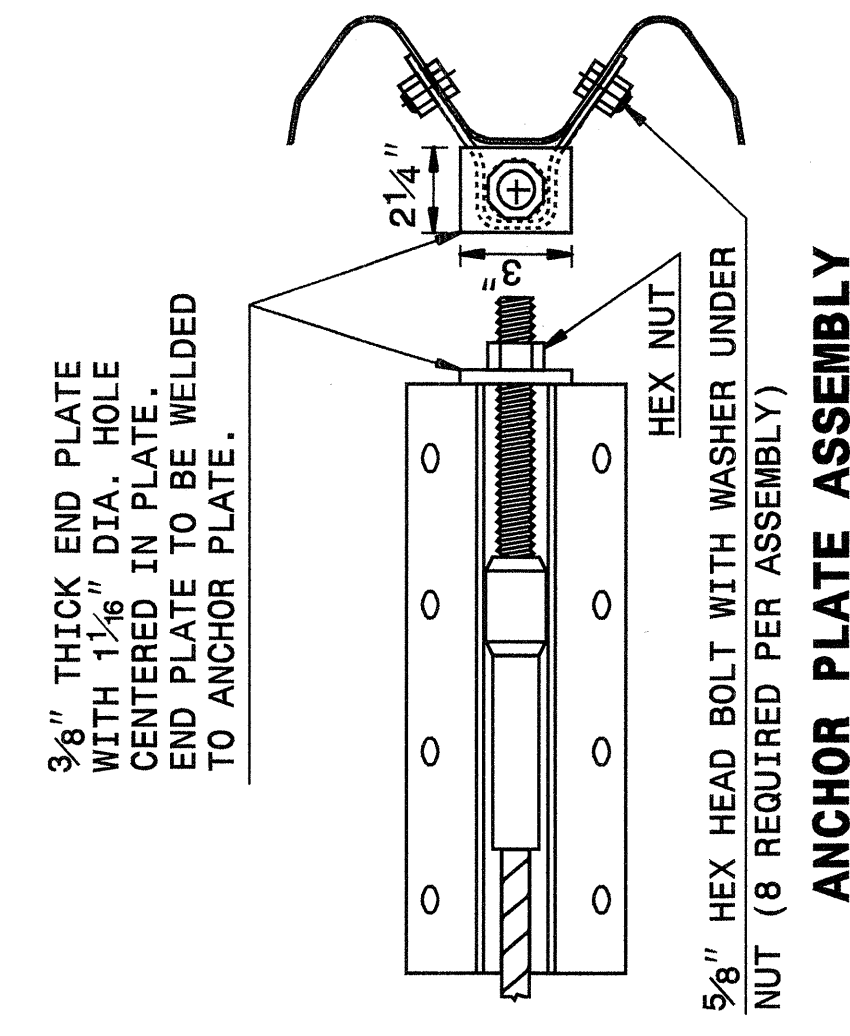
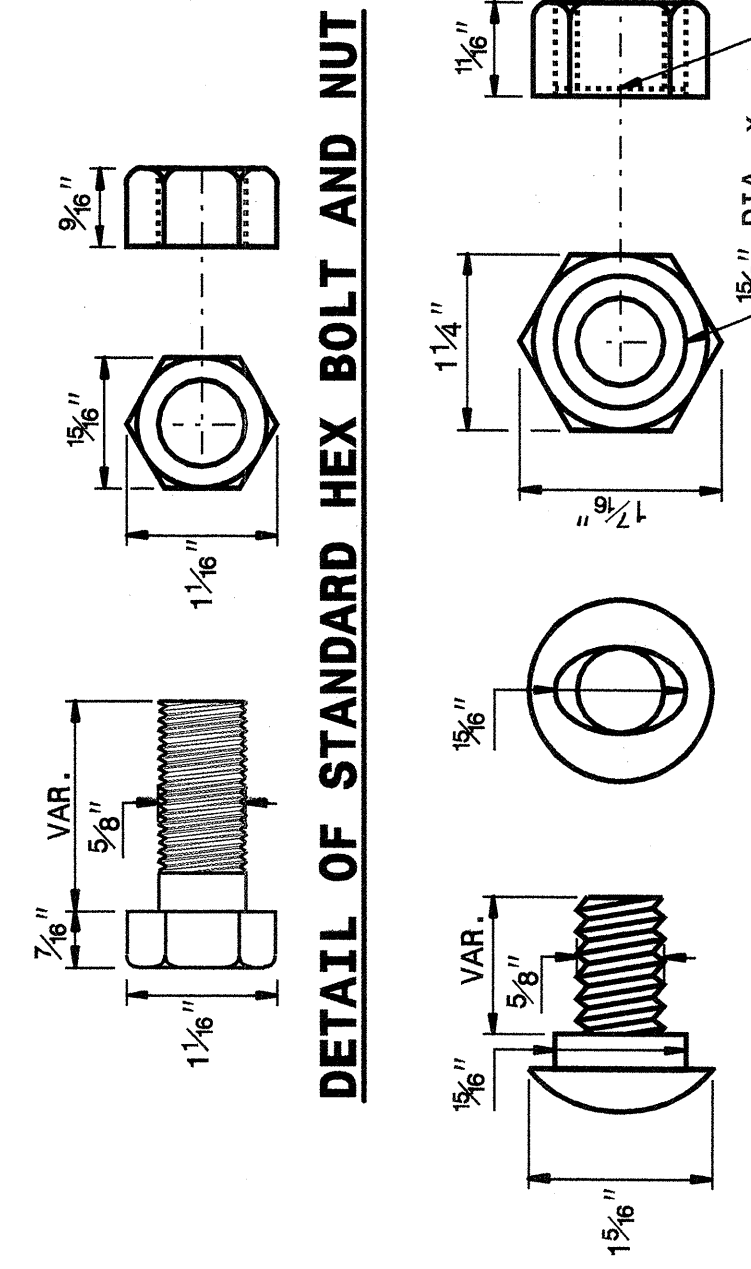
STATE OF  
NORTH CAROLINA  
DEPT. OF TRANSPORTATION  
DIVISION OF HIGHWAYS  
RALEIGH, N.C.

ENGLISH DETAIL DRAWING FOR  
**GUARDRAIL INSTALLATION**

SHEET 5 OF 7  
**862D02**



**DETAIL OF STANDARD WASHER**  
STANDARD WASHER: TYPICAL USE UNDER NUT WITH WOOD POST



**CABLE ASSEMBLY**

SHEET 5 OF 7  
**862D02**

STATE OF  
NORTH CAROLINA  
DEPT. OF TRANSPORTATION  
DIVISION OF HIGHWAYS  
RALEIGH, N.C.

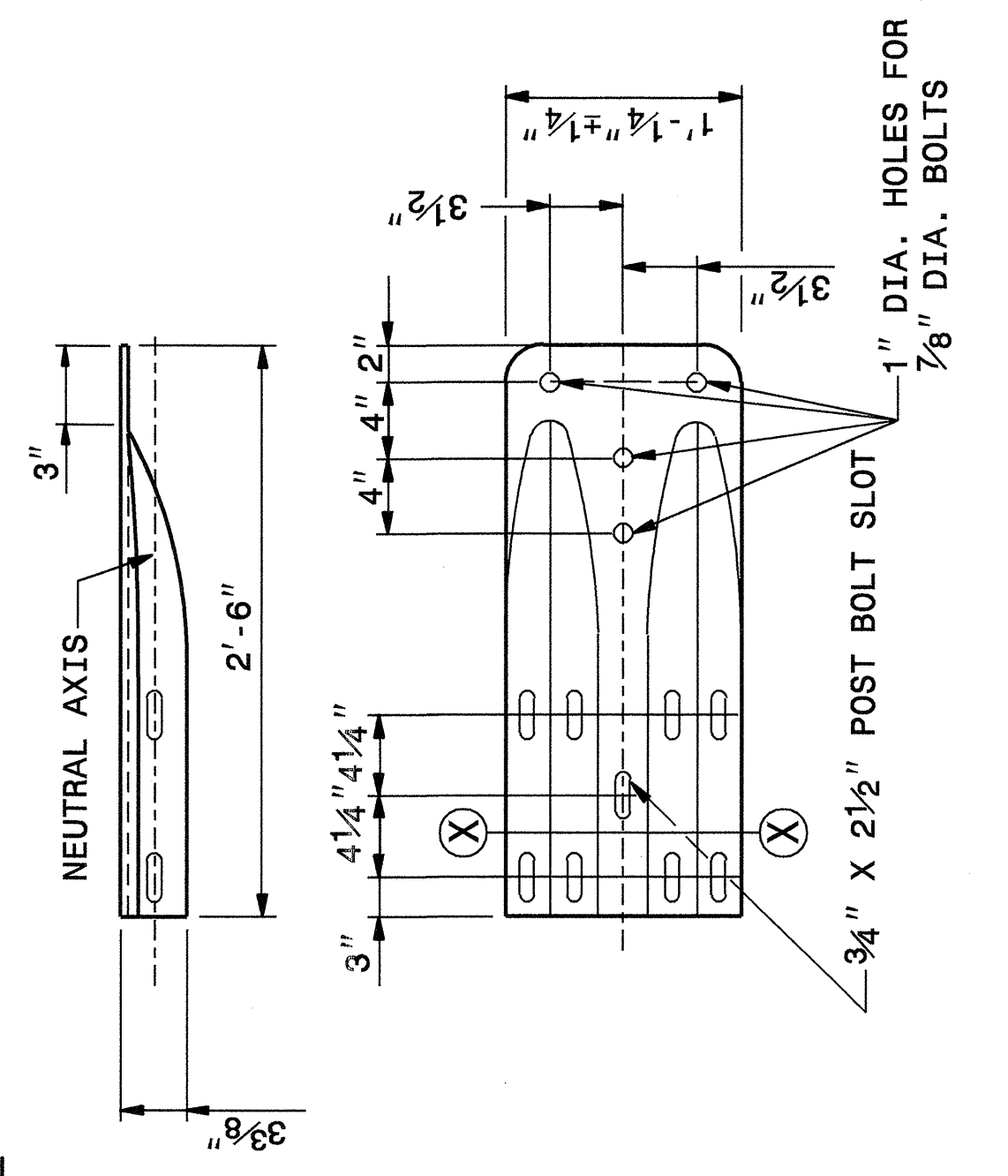
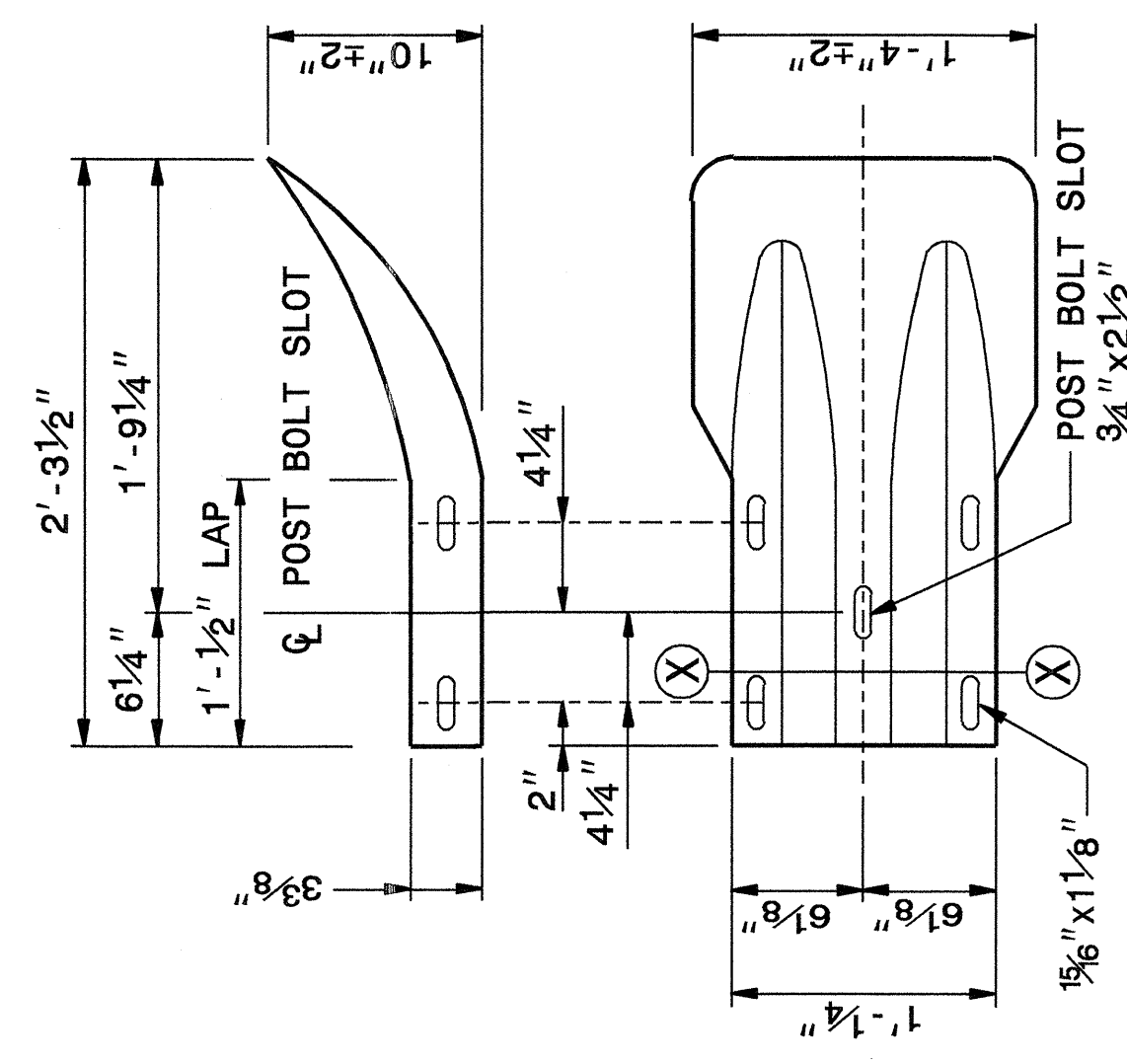
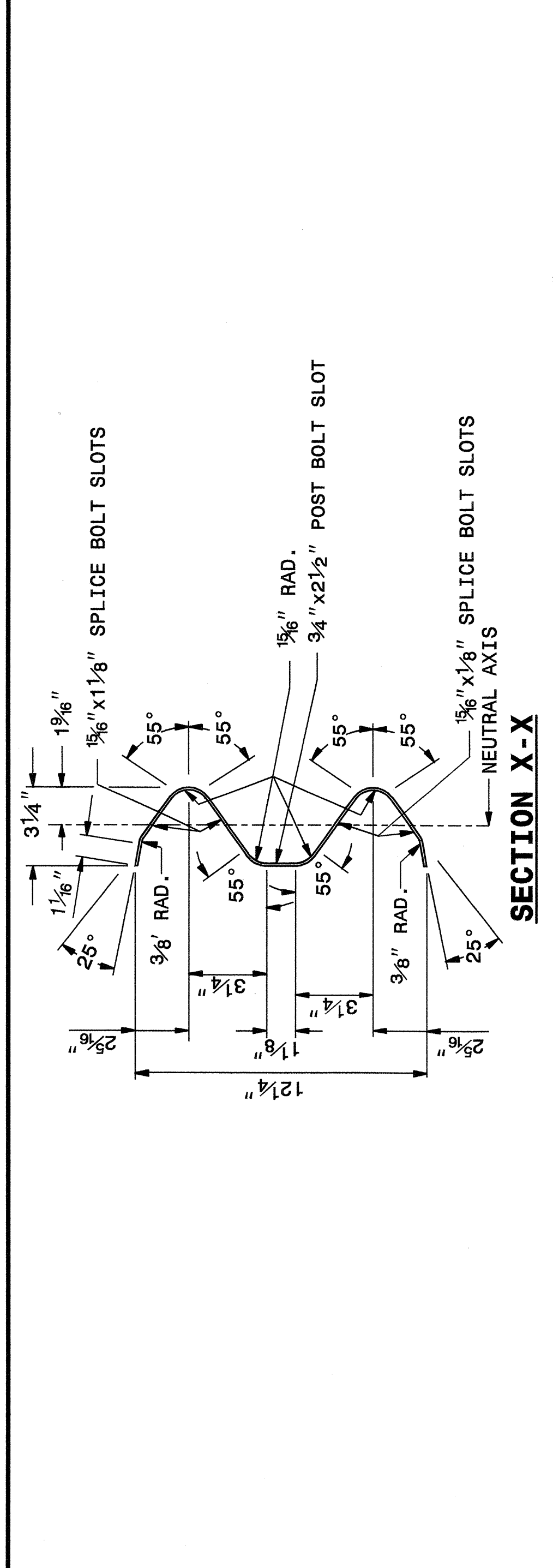
ENGLISH DETAIL DRAWING FOR  
**GUARDRAIL INSTALLATION**

SHEET 5 OF 7  
**862D02**

STATE OF  
NORTH CAROLINA  
DEPT. OF TRANSPORTATION  
DIVISION OF HIGHWAYS  
RALEIGH, N.C.

ENGLISH DETAIL DRAWING FOR  
**GUARDRAIL INSTALLATION**

SHEET 6 OF 7  
**862D02**

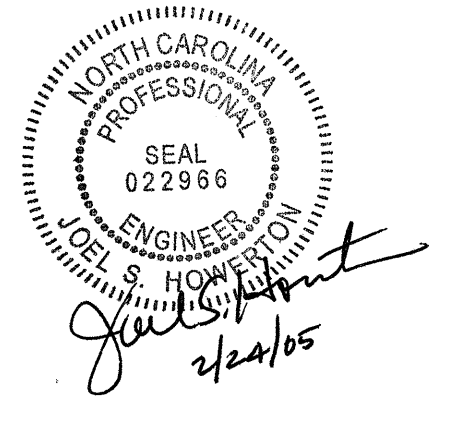


SHEET 6 OF 7  
**862D02**

PROJECT SERVICES UNIT  
STANDARDS AND SPECIAL DESIGN  
Office 919-250-4128 FAX 919-250-4119

**SEE PLATE FOR TITLE**

ORIGINAL BY: 2002 STD.862.02 DATE:  
MODIFIED BY: E.E. WARD DATE: 02-09-03  
CHECKED BY: *Joel S. Howerton* DATE: 10/21/04  
FILE SPEC.: /usr/stds/02todetail/eng1ish/86202/862d02.dgn



19-OCT-2004 11:39  
W:\Special Details\encl\stds\02\stds to Special Details\english\86202\0862d02.dgn  
entwer-3 AT 05212260