

**NOTES :**

ALL STRUCTURAL STEEL SHALL BE AASHTO M270 GRADE 50W AND PAINTED IN ACCORDANCE WITH SYSTEM 4 OF ARTICLE 442-7 OF THE STANDARD SPECIFICATIONS UNLESS OTHERWISE NOTED ON THE PLANS.

ALL DIMENSIONS SHOWN ARE HORIZONTAL OR VERTICAL, UNLESS OTHERWISE NOTED.

ALL FIELD CONNECTIONS TO BE 7/8" DIA. HIGH STRENGTH BOLTS UNLESS OTHERWISE NOTED.

BEARING STIFFENERS ARE TO BE PLACED NORMAL TO THE WEB OF THE GIRDER AND SHALL BE PLUMB.

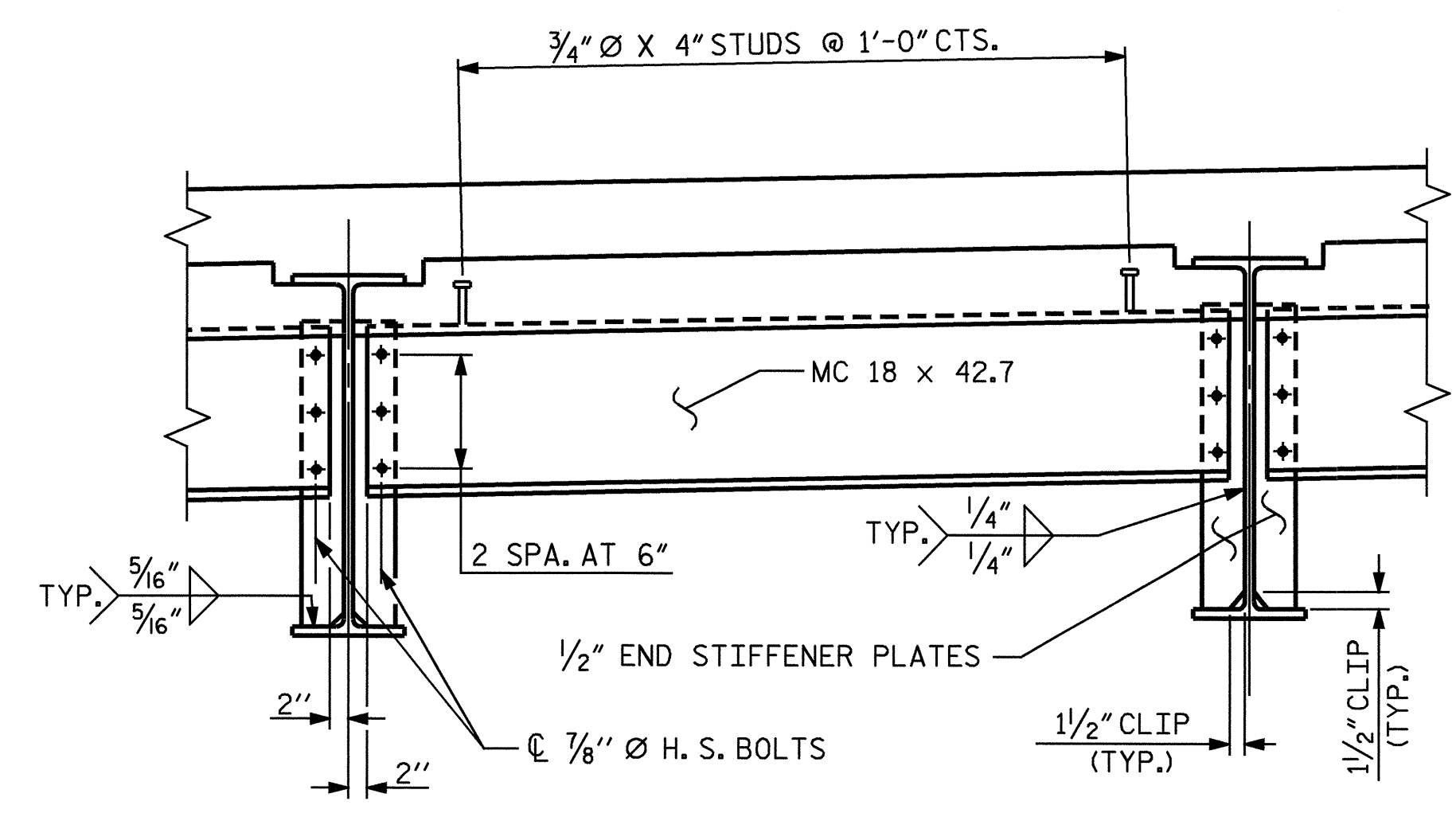
A CHARPY V-NOTCH TEST IS REQUIRED ON ALL BEAM SECTIONS AND SPLICE PLATES AS SHOWN ON THE PLANS AND IN ACCORDANCE WITH ARTICLE 1072-9 OF THE STANDARD SPECIFICATIONS.

TENSION ON THE AASHTO M164 BOLTS SHALL BE CALIBRATED USING DIRECT TENSION INDICATOR WASHERS IN ACCORDANCE WITH ARTICLE 440-10 OF THE STANDARD SPECIFICATIONS.

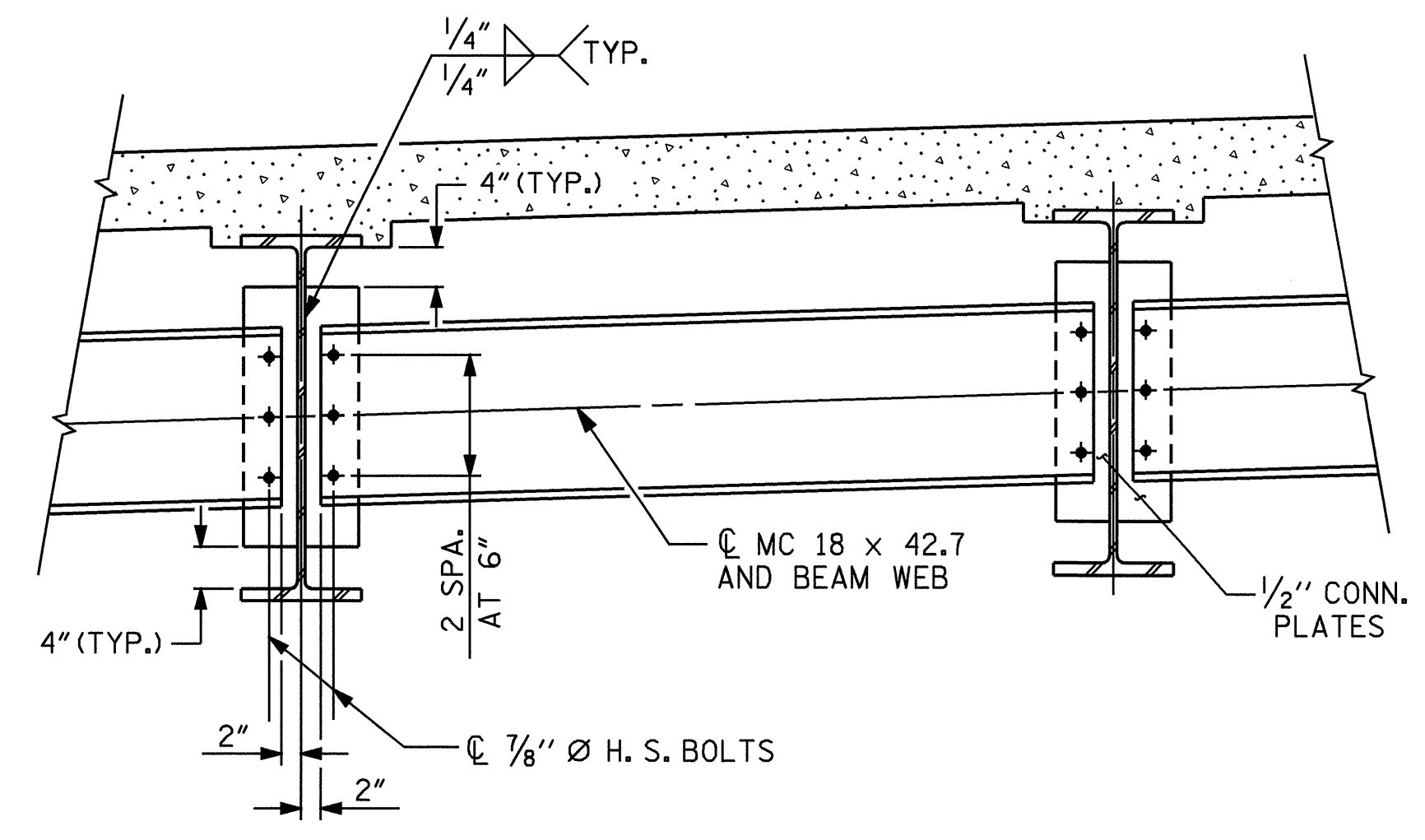
END OF BEAMS SHALL BE PLUMB.

STIFFENERS ARE NOT REQUIRED ON THE OUTSIDE OF EXTERIOR BEAMS.

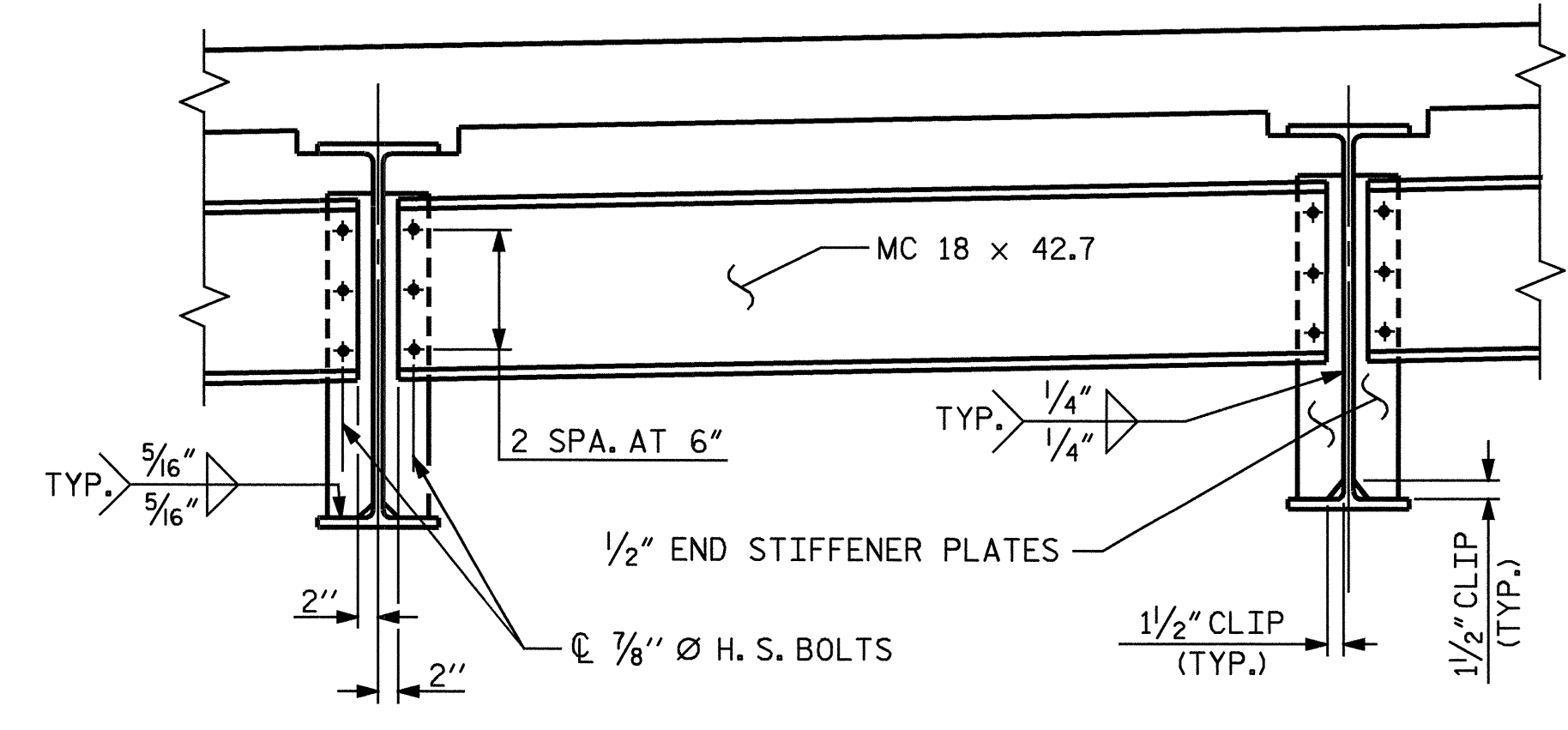
BEARING STIFFENER MAY REQUIRE COPING IF WIDER THAN BOTTOM FLANGE TO AVOID INTERFERENCE WITH THE ANCHOR BOLT.



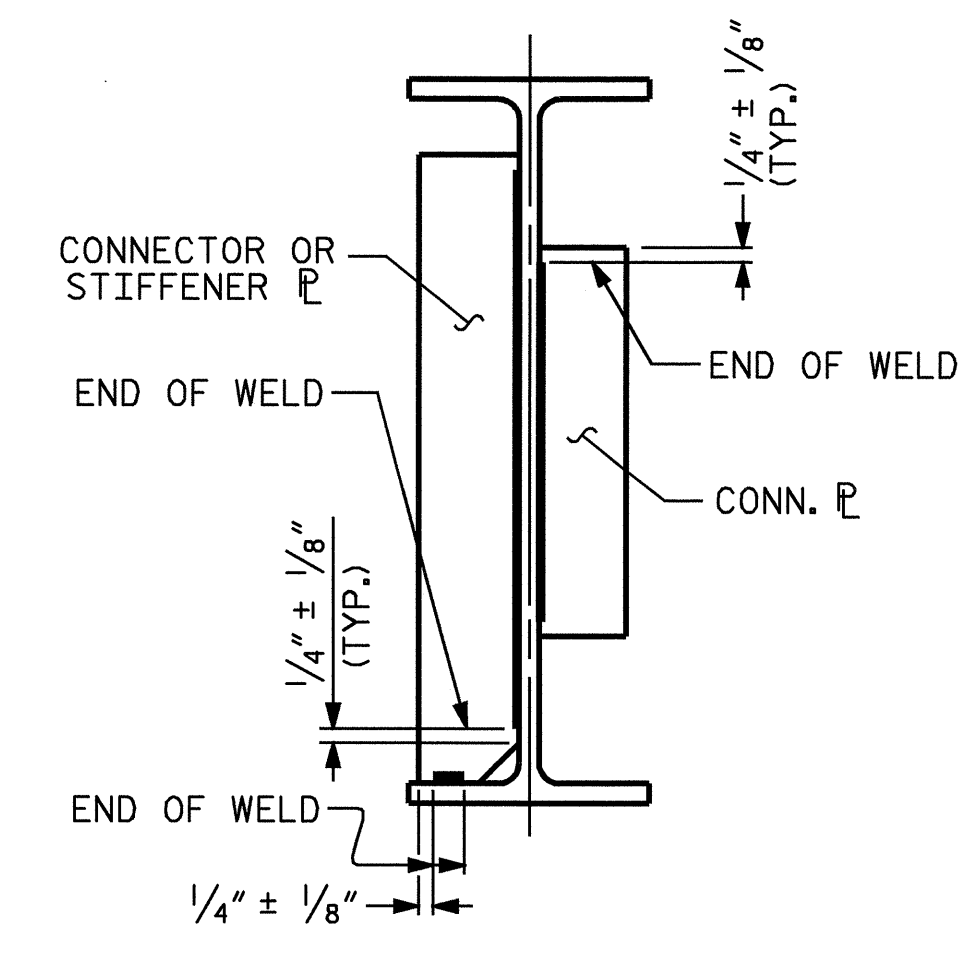
**TYPICAL END BENT DIAPHRAGM**  
( D1 )



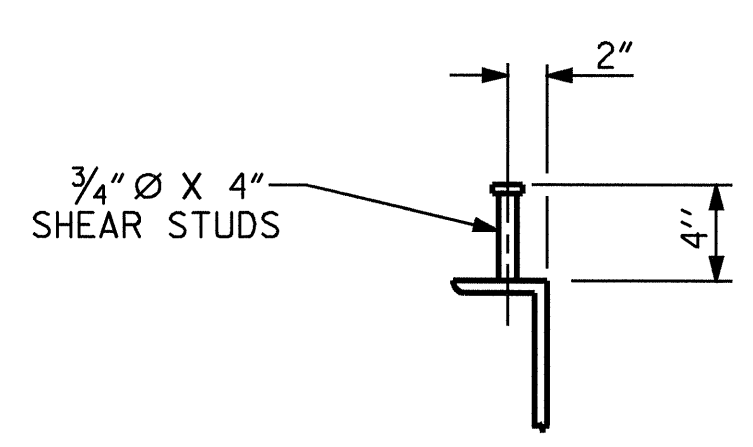
**TYPICAL INTERMEDIATE DIAPHRAGM**  
( D2 )



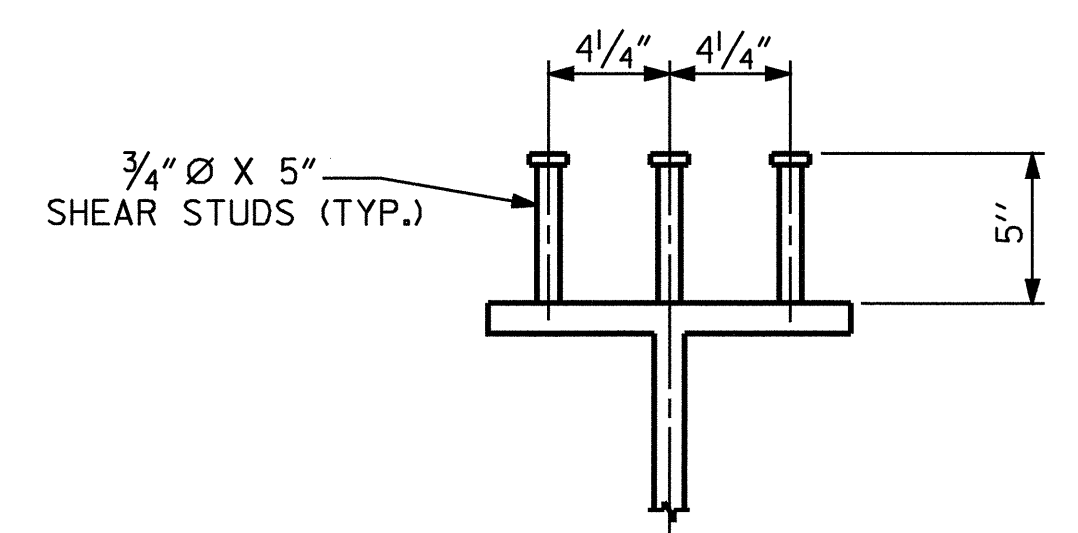
**TYPICAL BENT DIAPHRAGM**  
( D3 )



**TYPICAL STIFFENER OR CONNECTOR PLATE CONNECTIONS**  
**WELD TERMINATION DETAILS**

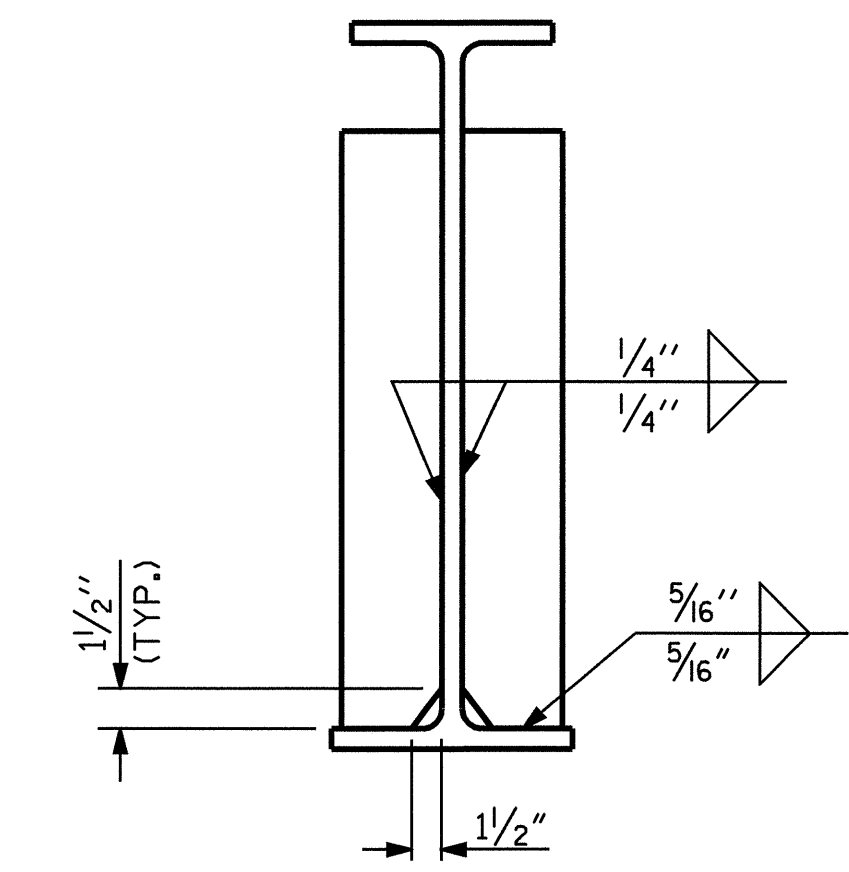


**STUDS ON DIAPHRAGMS**  
(END BENT ONLY)



**STUDS ON BEAMS**

**SHEAR STUD DETAILS**



**END STIFFENER & CONNECTOR PLATE**

PROJECT NO. B-2905  
ASHE COUNTY  
STATION: 19+05.00 -L-

SHEET 3 OF 4

STATE OF NORTH CAROLINA  
DEPARTMENT OF TRANSPORTATION  
RALEIGH  
**SUPERSTRUCTURE  
STRUCTURAL STEEL  
DETAILS**



REVISIONS					SHEET NO.
NO.	BY:	DATE:	NO.	BY:	DATE:
1			3		
2			4		

TOTAL SHEETS: 35