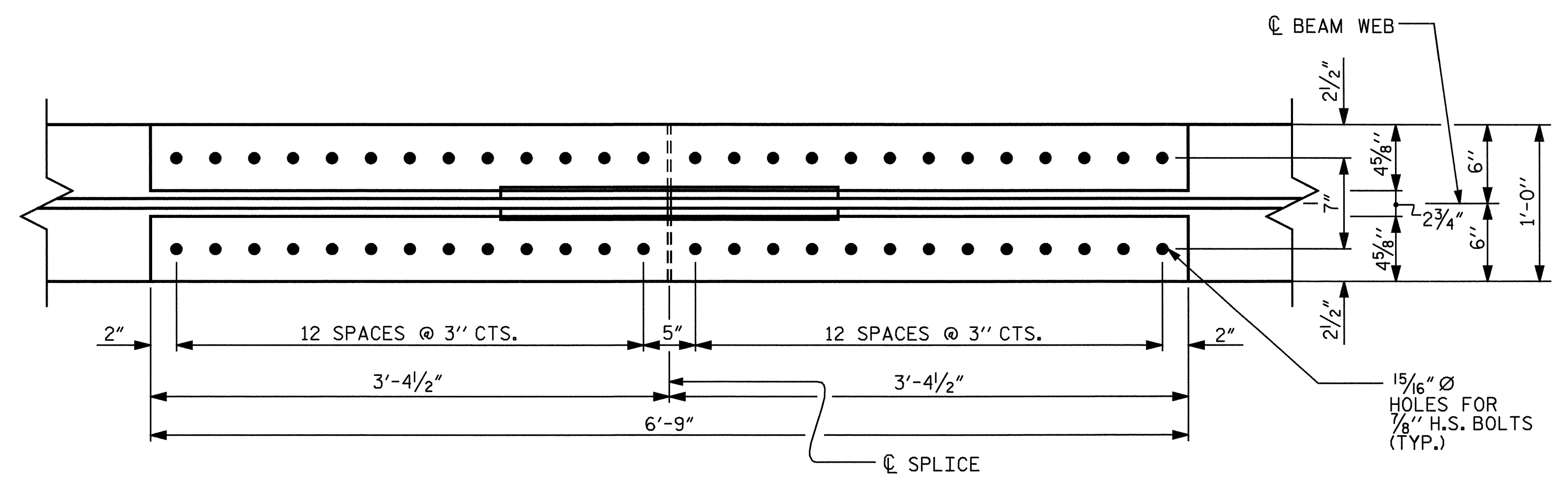
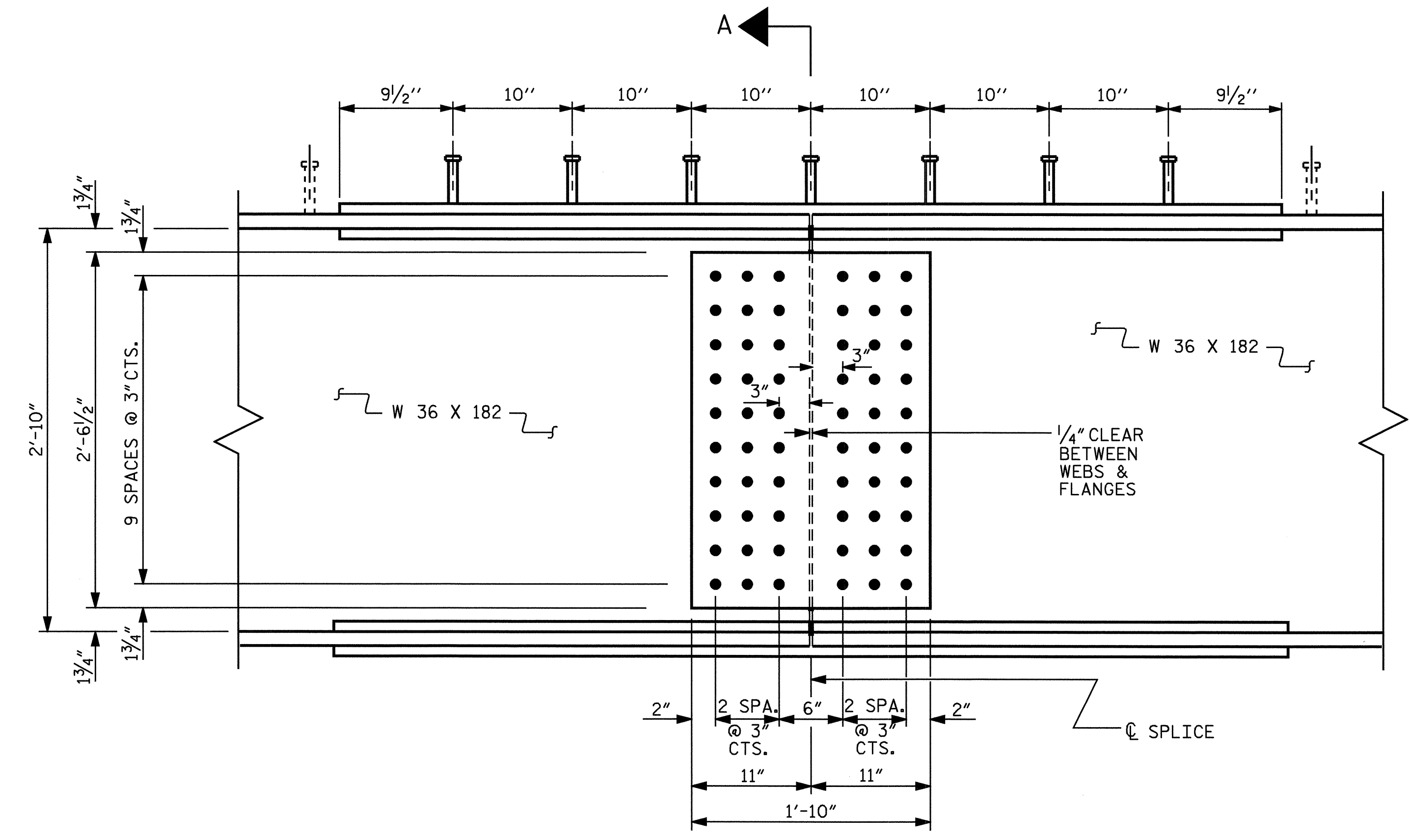


PLAN (TOP OF TOP FLANGE)



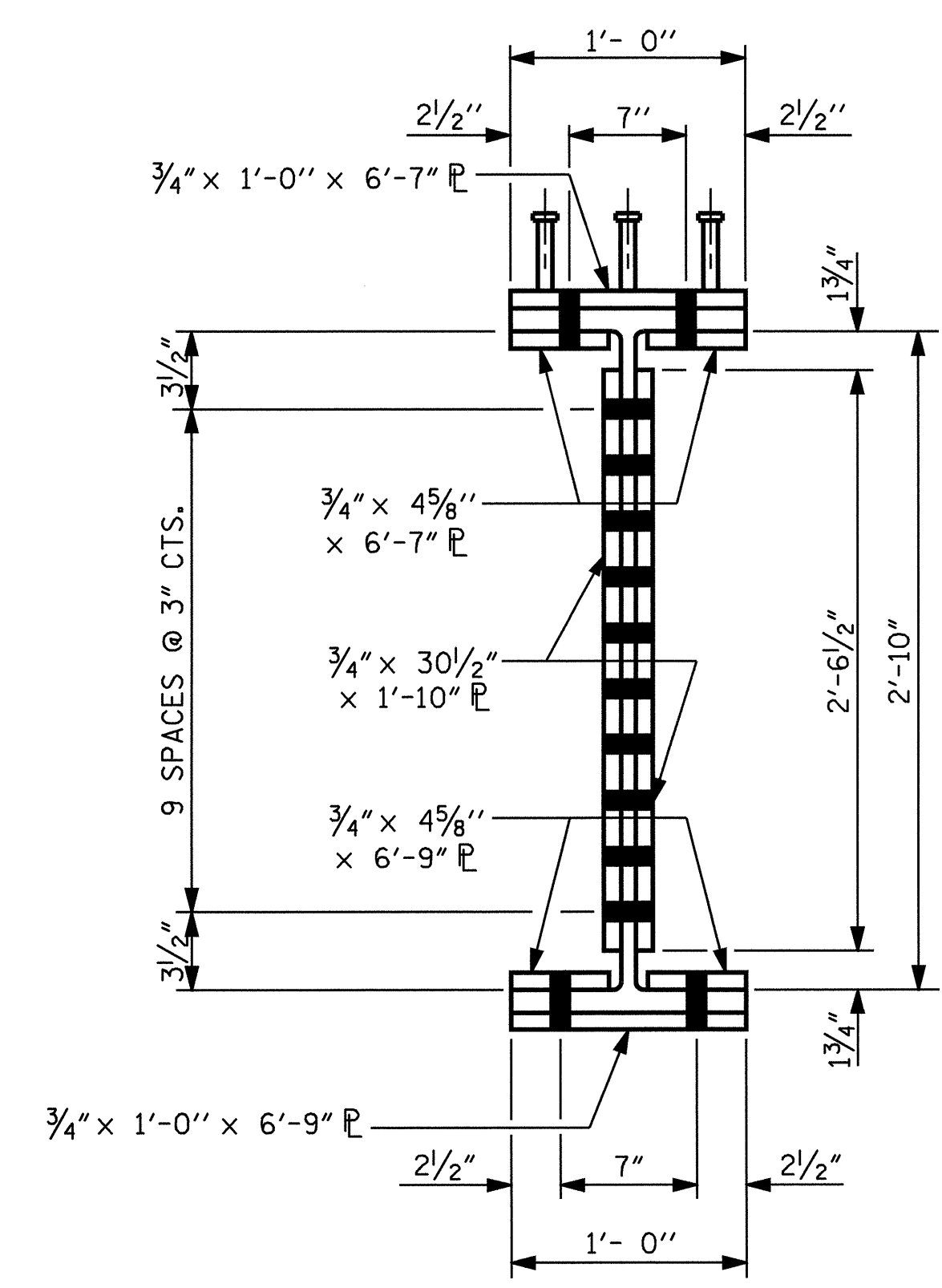
PLAN (TOP OF BOTTOM FLANGE)



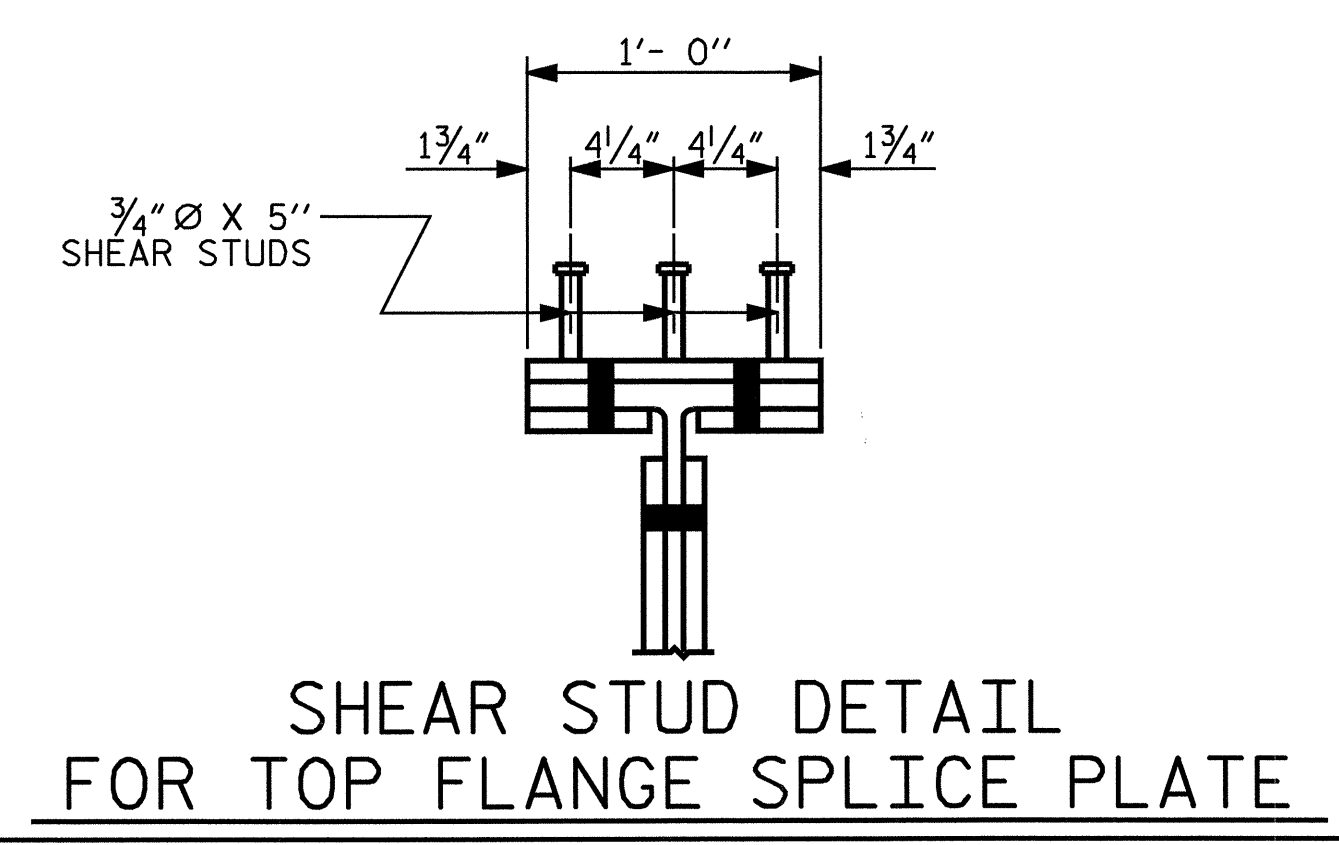
ELEVATION

BOLTED FIELD SPLICE DETAILS

(TYPICAL EACH FIELD SPLICE)



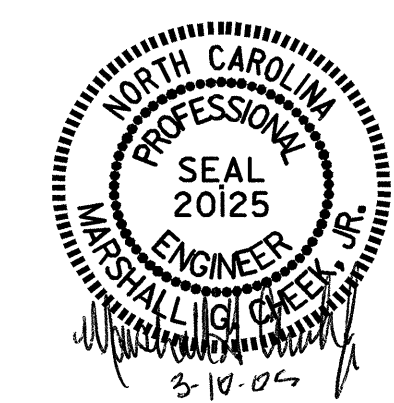
SECTION A-A



SHEAR STUD DETAIL FOR TOP FLANGE SPLICE PLATE

PROJECT NO. B-2905
ASHE COUNTY
 STATION: 19+05.00 -L-
 SHEET 4 OF 4

STATE OF NORTH CAROLINA
 DEPARTMENT OF TRANSPORTATION
 RALEIGH
 SUPERSTRUCTURE
 STRUCTURAL STEEL
 DETAILS



REVISIONS					SHEET NO.
NO.	BY:	DATE:	NO.	BY:	DATE:
1			3		
2			4		

TOTAL SHEETS: 35

DRAWN BY: QT NGUYEN DATE: 11-00
 CHECKED BY: V.X. NGUYEN DATE: 8-01