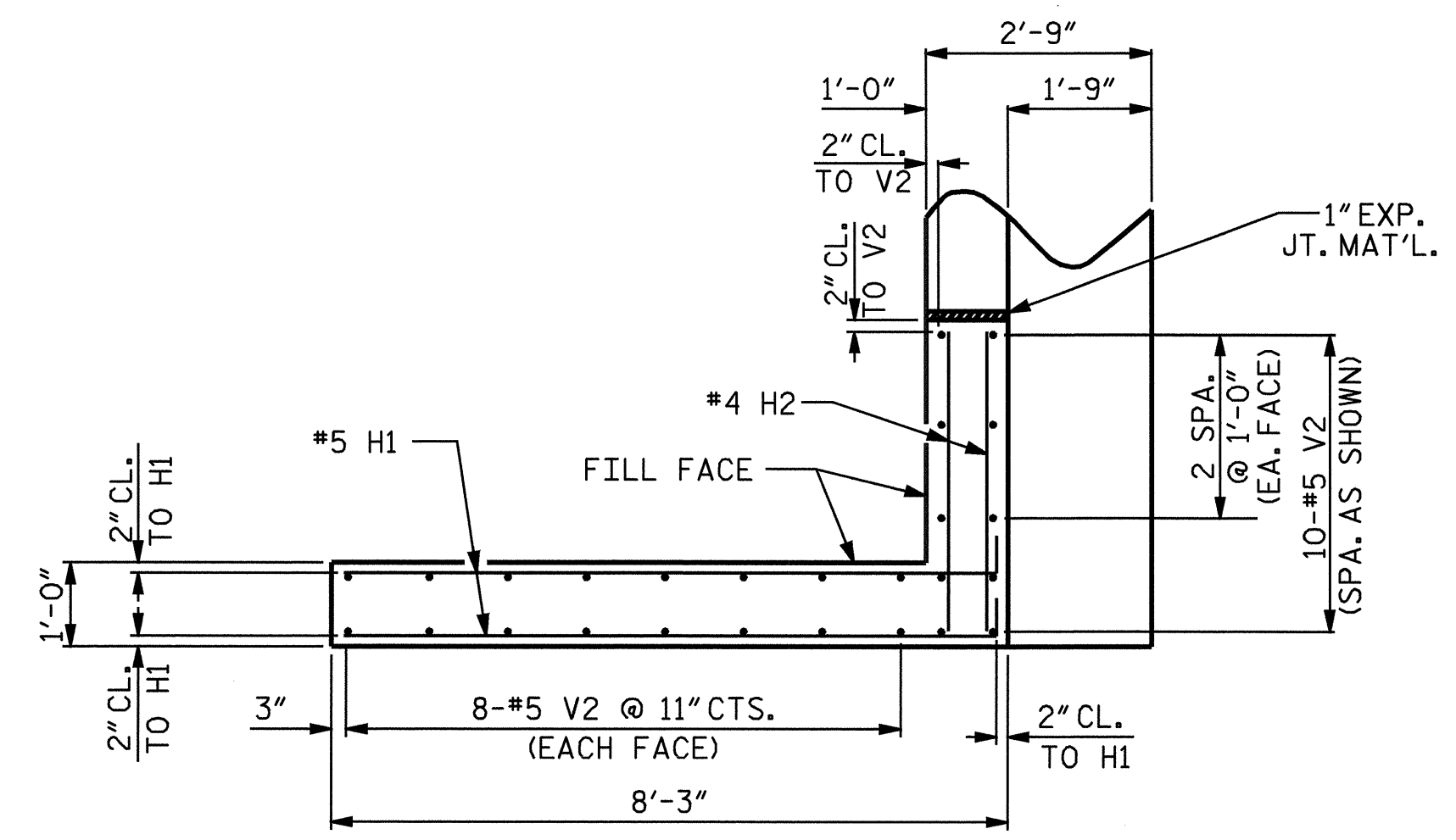
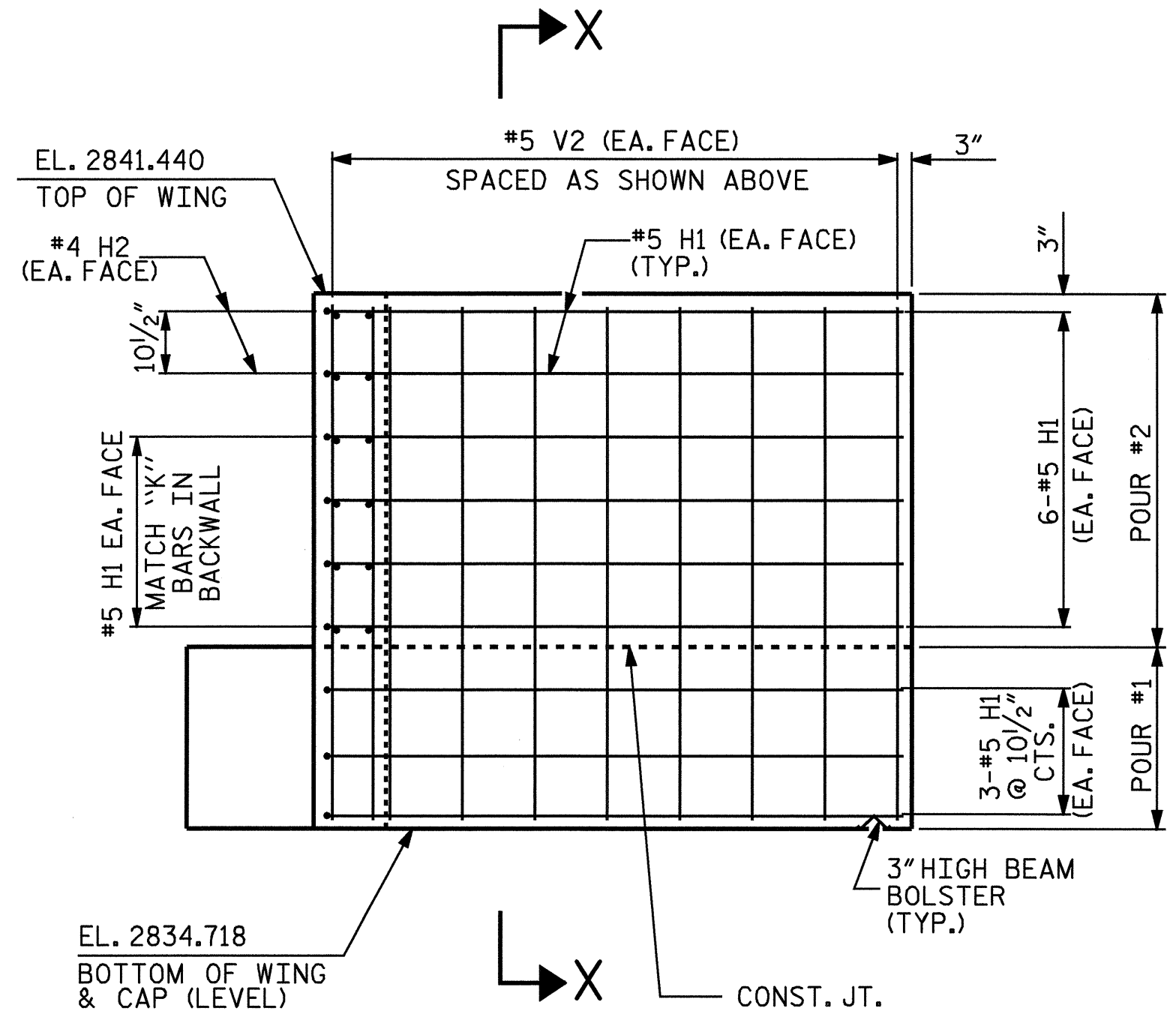


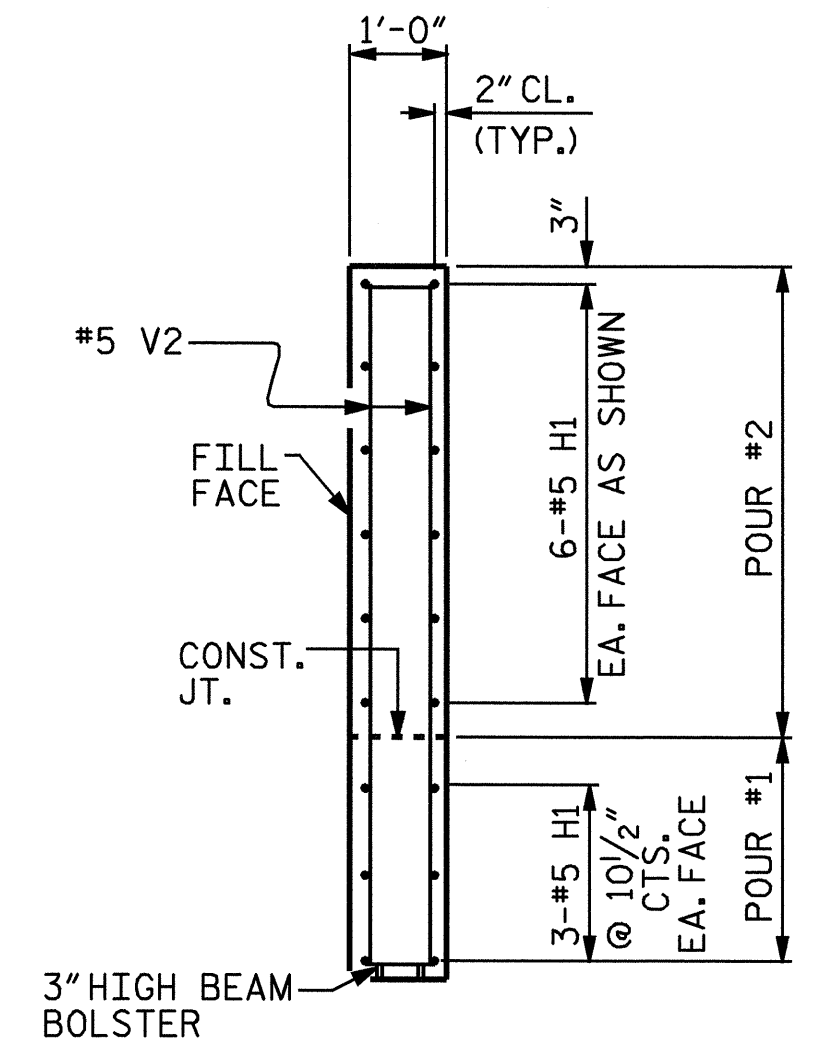
PLAN OF LEFT WING (W1)



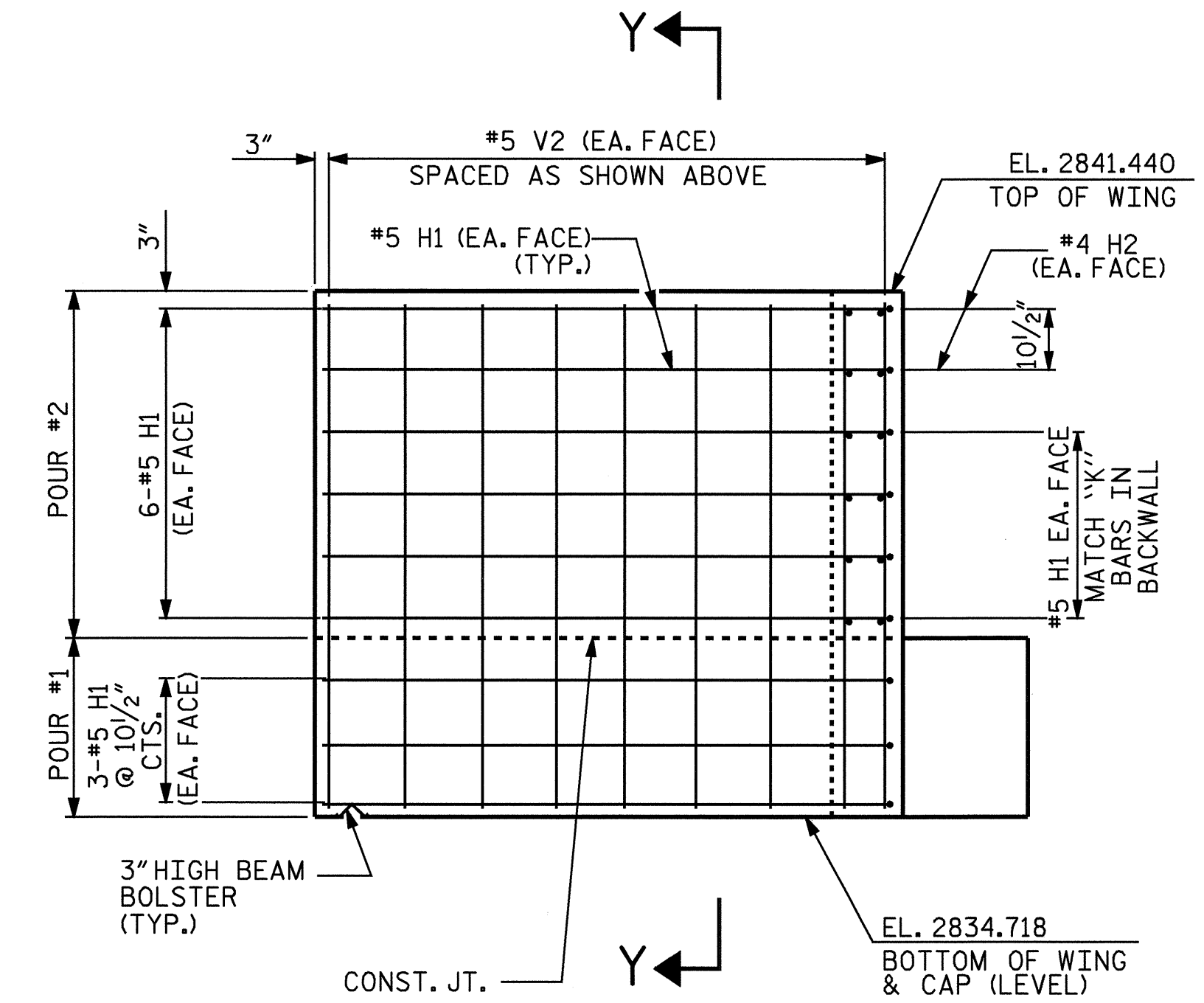
PLAN OF RIGHT WING (W2)



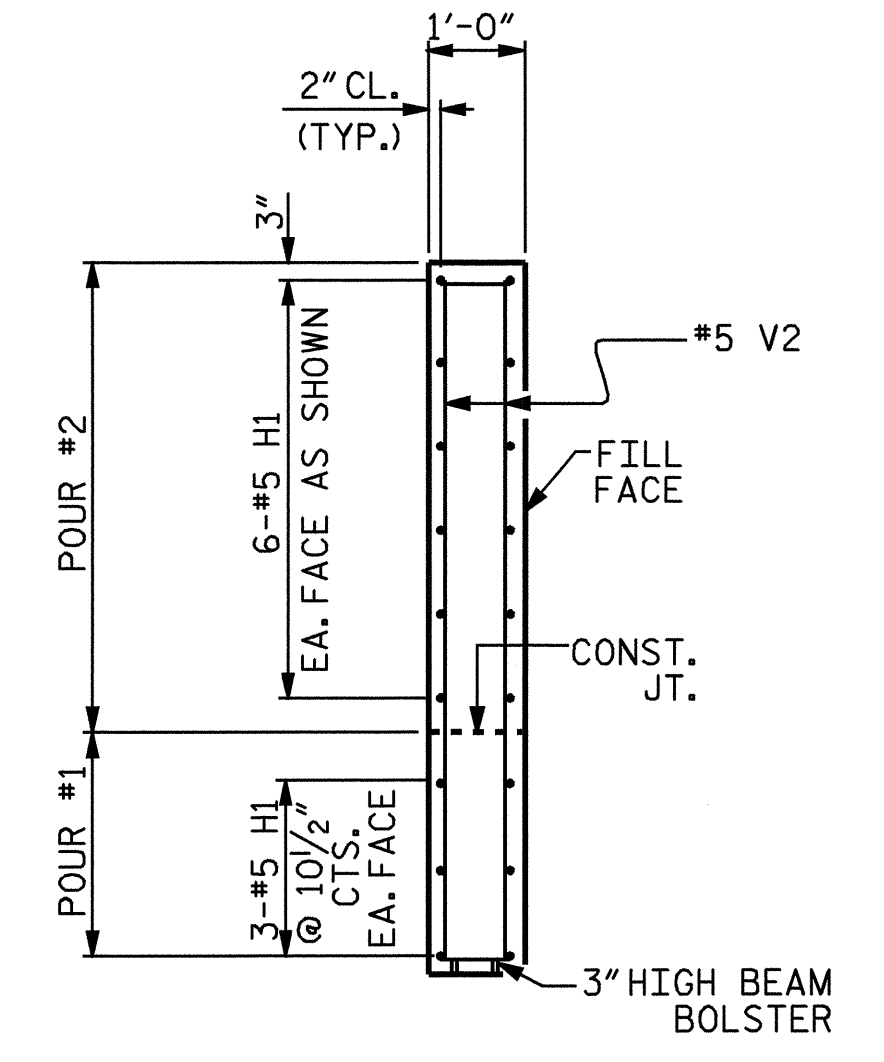
ELEVATION OF LEFT WING (W1)



SECTION X-X



ELEVATION OF RIGHT WING (W2)



SECTION Y-Y

PROJECT NO. B-2905
ASHE COUNTY
 STATION: 19+05.00 -L-
 SHEET 2 OF 3



STATE OF NORTH CAROLINA
 DEPARTMENT OF TRANSPORTATION
 RALEIGH
 SUBSTRUCTURE
 END BENT #1

DRAWN BY : P. ADKINS/L.L.M. DATE : 01-05
 CHECKED BY : V.X. NGUYEN DATE : 01-05

REVISIONS						SHEET NO.
NO.	BY:	DATE:	NO.	BY:	DATE:	S-19
1			3			TOTAL SHEETS
2			4			35